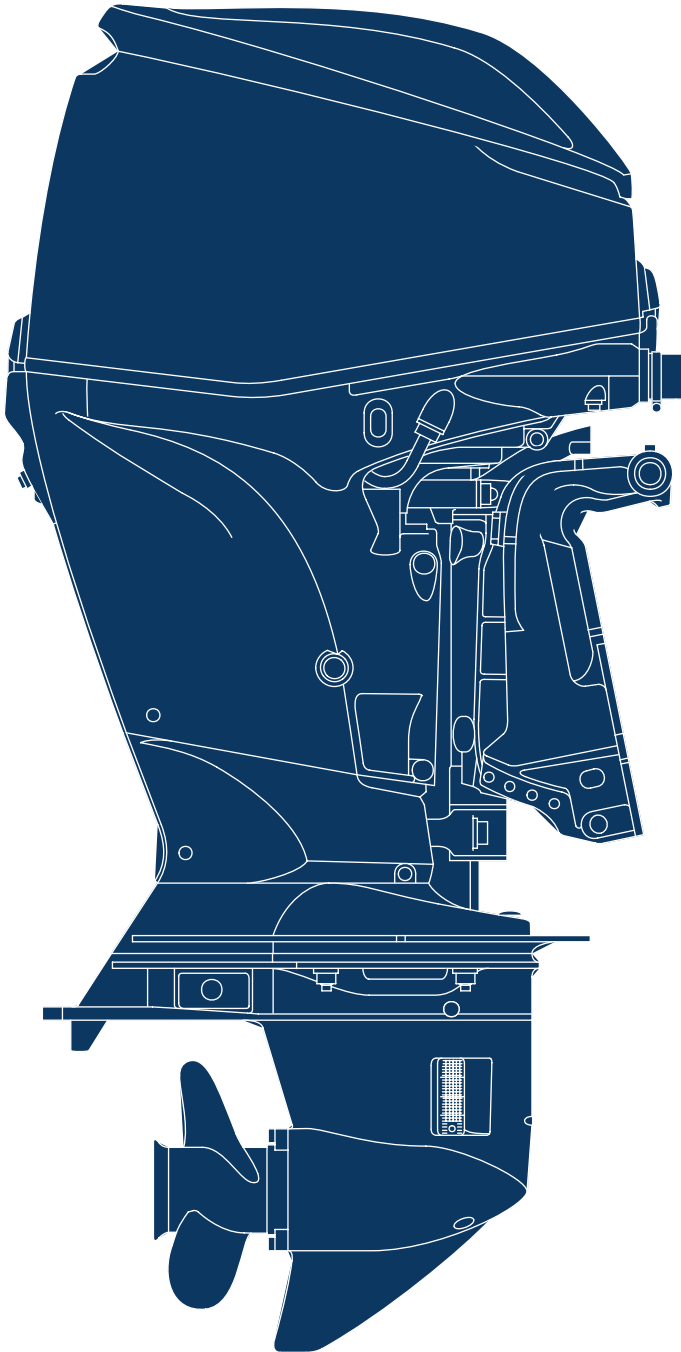


2014 PARTS CATALOG

 TOHATSU



BFT 60A
BFW 60A

OB NO.002-14ZZ3-0
1311US

Instruction for use of parts catalogue

- **This parts catalogue was prepared based on the latest information available as of December 1, 2013.**
- See the Service Bulletin for any revision that is made after December 1, 2013.
- **Always specify the part number when ordering a part.**
 - Check the model, type, serial numbers, color, maker, and the size as needed before ordering a part.
 - Note that the illustrations (part drawings) can differ from the actual parts in shape.
Illustrations are given just to help you to refer to the parts.
- **When modifications or additions to this parts catalogue are made, a revised edition will be issued at an appropriate time, with successively progressing revision numbers on the cover. We recommend obtaining such revisions in order to keep your parts catalogue up-to-date at all times.**

Initial version issue date December 1, 2013

CONTENTS

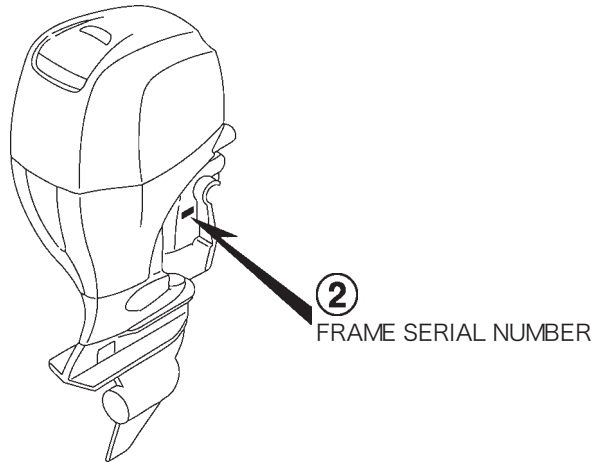
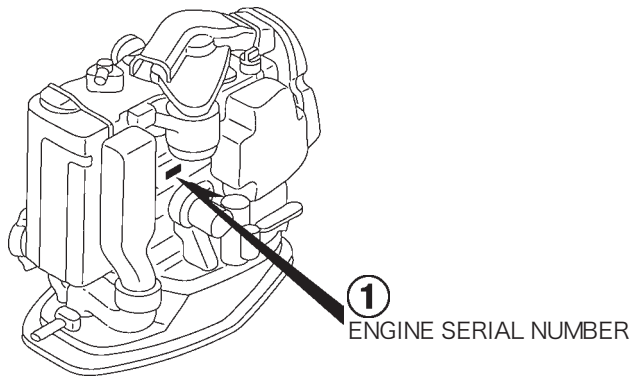
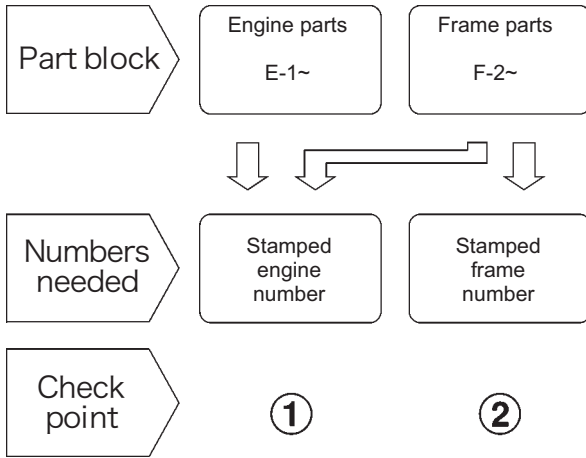
E-2	CYLINDER HEAD	1
E-3	CYLINDER BLOCK	5
E-5	OIL PUMP	9
E-6	OIL CASE	11
E-7	CRANKSHAFT/PISTON	13
E-9	CAMSHAFT	17
E-13	TIMING BELT	19
E-14	INLET MANIFOLD/INJECTOR	21
E-15	THROTTLE BODY	23
E-15-10	AIR GUIDE	25
E-18	TUBING	27
E-18-10	VAPOR SEPARATOR	29
E-19	A.C. GENERATOR	33
E-20	ELECTRONIC CONTROL UNIT	35
E-20-10	IGNITION COIL	37
E-21	STARTER MOTOR	39
EOP-1	GASKET KIT	41
F-2	SHIFT SHAFT	43
F-3	EXTENSION CASE	47
F-3-10	GEAR CASE (1)	49
F-3-11	GEAR CASE (2)	51
F-3-20	GEAR CASE ASSY	55
F-3-30	UPPER RUBBER MOUNT	57
F-4	WATER PUMP (1)	61
F-4-1	WATER PUMP (2)	65
F-5	PROPELLER SHAFT (1)	69
F-5-1	PROPELLER SHAFT (2)	73
F-6	FUEL TUBE	77
F-7	WIRE HARNESS	79
F-7-10	STARTER CABLE	81
F-7-20	ELECTRONIC PARTS CASE	83
F-7-30	A.C. GENERATOR COVER	85
F-7-40	TROLLING CONTROL SWITCH	87
F-8	ENGINE UNDER COVER	89
F-8-10	ENGINE COVER	93
F-10	STERN BRACKET	95
F-11	SWIVEL CASE	97
F-11-20	POWER TRIM TILT	99
F-12	LABEL	105
F-13	TOOL/OTHER PARTS	107
F-15	REMOTE CONTROL BOX (1)	109
F-15-1	REMOTE CONTROL BOX (2)	115
FOP-1	IMPELLER PUMP KIT	119
FOP-2-1	METER	121
FOP-2-4	INTERFACE CABLE KIT	123
FOP-3	SWITCH PANEL KIT (1)	125
FOP-3-1	SWITCH PANEL KIT (2)	129
FOP-4	REMOTE CONTROL BOX (TOP MOUNT SINGLE TYPE) (RIGHT)	131
FOP-4-2	REMOTE CONTROL BOX (TOP MOUNT DUAL TYPE) (RIGHT)	135
FOP-4-4	REMOTE CONTROL BOX (FLUSH MOUNT TYPE) (RIGHT)	139
FOP-6	PROPELLER	141
FOP-7	BOLT KIT	143
FOP-8	STEERING HANDLE KIT	145
FOP-8-1	STEERING HANDLE KIT(COMPONENT PARTS)	147
FOP-8-10	STEERING ROD KIT	153
FOP-9	TILT LIMIT KIT/SPEED SENSOR TUBE KIT	155
INDEX		157
INDEX (Parts Number)		163

Part catalogue structure

Ref. No.	Part No.	Description	Q.ty		Remarks
			10	15	
E-2	H2Z-1210-000	METAL ANGLE	3	3	
E-2	H2Z-1210-000A	HEAD COMP, CYLINDER	1	1	HEAD DARK GRAY
E-2	H2W-1211-010	BOLT SEALING 20MM	2	2	
E-2	H2Z-1204-000	COVER CAM THROST	1	1	
E-2	H2Z-1201-003	GASKET CYLINDER HEAD	1	1	
E-2	H2Z-1210-000	COVER CYLINDER HEAD	1	1	
E-2	H2Z-1212-000	PACKING HEAD COVER	1	1	
E-2	H2Z-1420-000	TUBE OIL	1	1	
E-2	H8E-1381-000	CAP OIL/YELLOW	1	1	
E-2	H2Z-1430-003	PUMP ASSY, FUEL	1	1	
E-2	H2Z-1411-000	LIFTER FUEL PUMP	1	1	
E-2	H2Z-1400-003	STRAINER ASSY, FUEL	1	1	
E-2	H2Z-1401-003	FILTER	1	1	
E-2	H2Z-1409-003	FLOAT	1	1	
E-2	H2Z-1412-003	CUP	1	1	
E-2	H2Z-1413-000	SUSPENSION STRAINER	1	1	
E-2	H2Z-1414-003	O-RING	1	1	
E-2	H2Z-1415-003	O-RING	1	1	
E-2	H2W-1330-003	THERMOSTAT ASSY	1	1	
E-2	H2W-1313-000	COVER THERMOSTAT	1	1	
E-2	H2W-1311-000	O-RING THERMOSTAT COVER	1	1	
E-2	H2Z-1408-000	COVER WATER JACKET	1	1	
E-2	H2Z-1407-000	PACKING EX WATER JACKET	1	1	COVER
E-2	H2Z-1406-003	FLVL SPARK/LAMP/W-H	3	3	
E-2	H2Z-1405-003	SENSOR OXYGEN	1	1	
E-2	H2Y-1404-003	SENSOR ASSY, WATER	1	1	TEMPERATURE
E-2	H2Y-1403-003	SENSOR ASSY, TDC	1	1	
E-2	H2W-1402-000	BOLT FLANGE 4X12	2	2	
E-2	H2Z-1401-000	BOLT FLANGE 4X10	1	1	

- ① Fig. Number
- ② Fig. Title
- ③ Ref. Number
- ④ Parts Number
- ⑤ Parts Name
- ⑥ Q.ty
- ⑦ Remarks
- ⑧ Different specification
- ⑨ Direction Arrow
- ⑩ Parts enclosed within a dotted line are sub assembly parts.
- ⑪ A solid arrow indicates the block No. the part in question is connected to.

How to check the part block and serial numbers



Models, parts catalogue codes and applicable serial numbers

- Models, parts catalogue codes and applicable serial Nos. given in this parts catalogue can be identified as follows.

Model	Type	Parts catalogue type	Engine		Applicable engine serial No.	Applicable frame serial No.
			Model	Type		
BFT60A	LRTA	LRTA	BF60A	SE2	BEBFJ-1000001~	BBFJ-6000001~
BFW60A	LRTA	LRTA	BF60A	SE3	BEBFJ-1000001~	BBFJ-6000001~

Features of each type

- See the following table for the features of each type. (Items in brackets are optional)

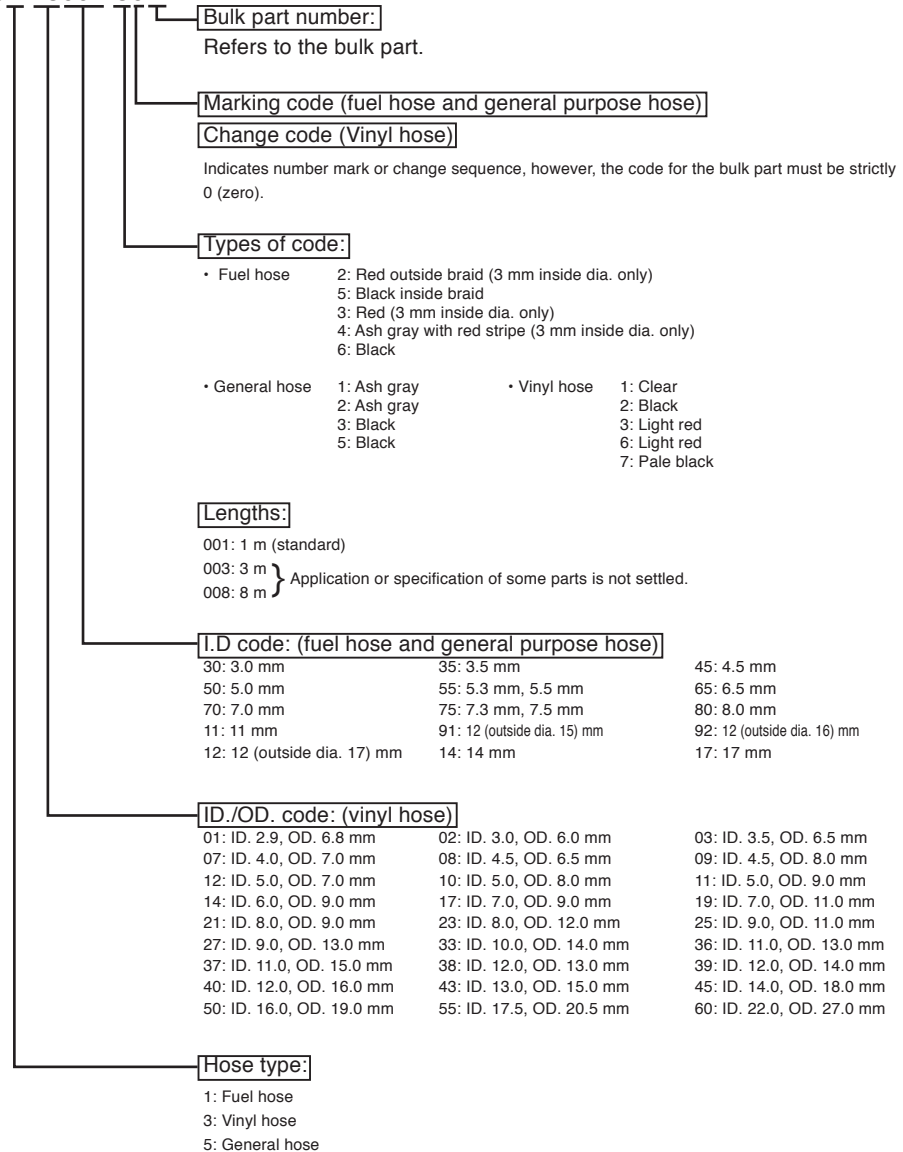
Specifications		Model	BFT 60A1
		Type	LRTA
Transom height	521 mm		●
Propeller	11-3/8 x 12		(●)
	11-1/8 x 13		(●)
	11-1/8 x 14		●
	11 x 15		(●)
	11 x 16		(●)
	11 x 17		(●)
Steering handle			(●)
Remote control			●
Trolling control switch			(●)

Fuel hose, general purpose hoses and vinyl hose

- The standard part fuel hose, general purpose hose and vinyl hose may be substituted by the coiled bulk part.
- When ordering the standard part fuel hose, general purpose hose and vinyl hose use the bulk part number written in the parts catalog in brackets () underneath the part name.
- When exchanging the hose, cut and use at the specified length as mentioned in the part name. (For the method of cutting the bulk part, and method of filling out orders etc., please refer to the instructions issued with the bulk part.)

Bulk part number of fuel hose, general purpose hose and vinyl hose.

Example: 95001-75001-50M

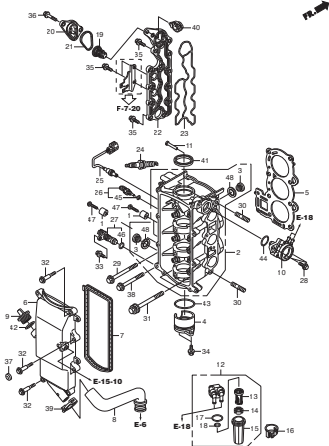


CAUTION: It is DANGEROUS to confuse the fuel hose with the general purpose hose or vinyl hose.

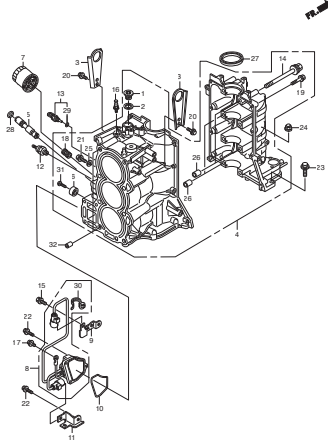
Never use a general purpose hose or vinyl hose in place of a fuel hose or vice versa.

Always use the correct bulk part in the parts catalogue, according to the service manual or the instructions issued with the bulk part.

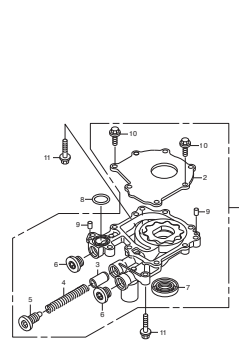
E-2 CYLINDER HEAD



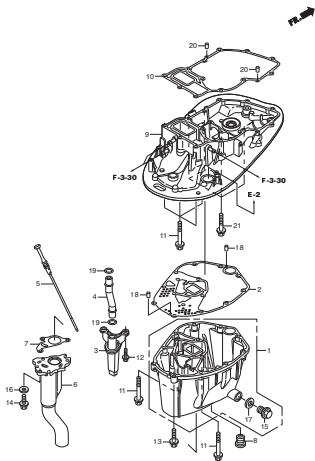
E-3 CYLINDER BLOCK



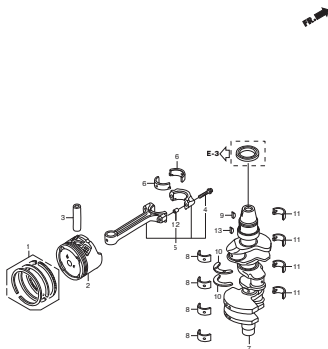
E-5 OIL PUMP



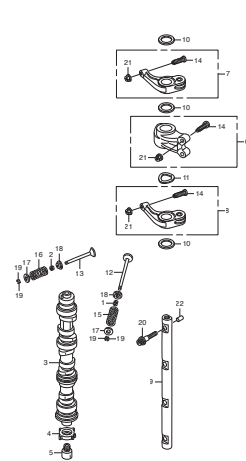
E-6 OIL CASE



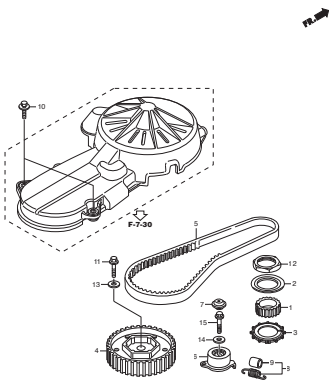
E-7 CRANKSHAFT/PISTON



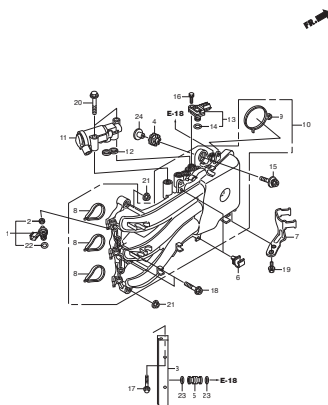
E-9 CAMSHAFT



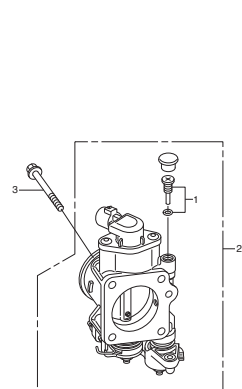
E-13 TIMING BELT



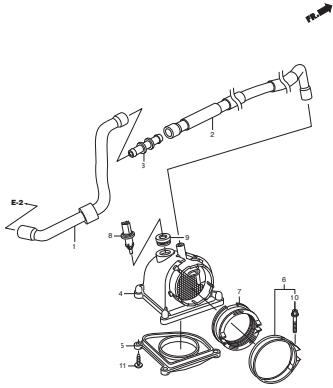
E-14 INLET MANIFOLD/INJECTOR



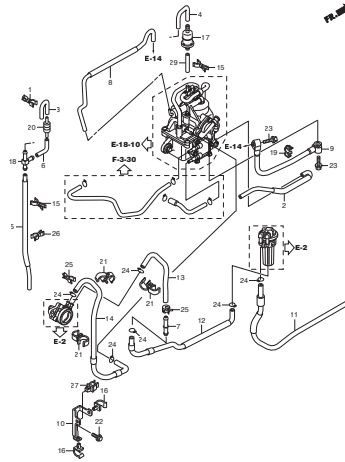
E-15 THROTTLE BODY



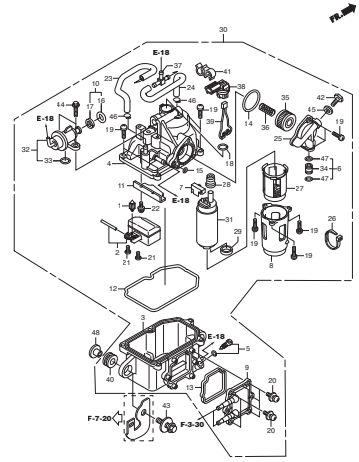
E-15-10 AIR GUIDE



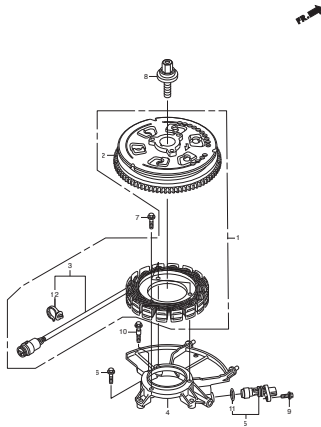
E-18 TUBING



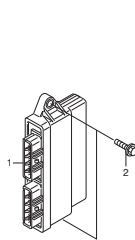
E-18-10 VAPOR SEPARATOR



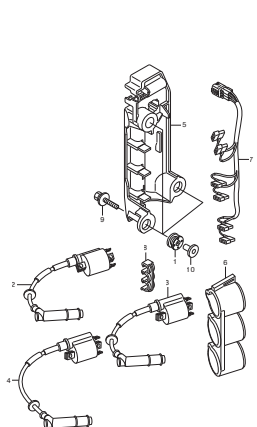
E-19 A.C. GENERATOR



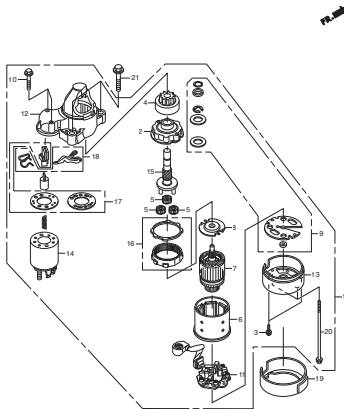
E-20 ELECTRONIC CONTROL UNIT



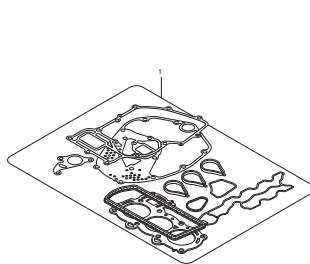
E-20-10 IGNITION COIL



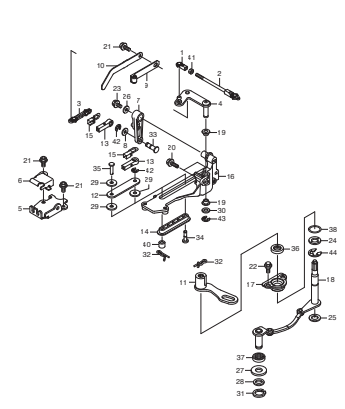
E-21 STARTER MOTOR



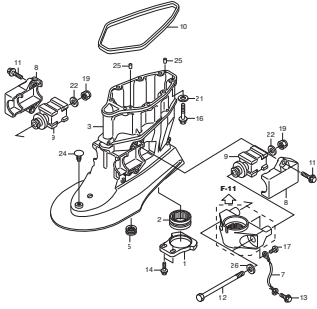
EOP-1 GASKET KIT



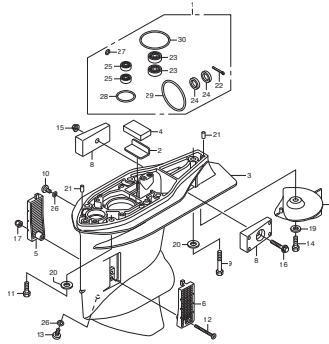
F-2 SHIFT SHAFT



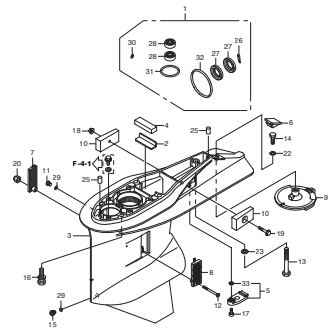
F-3 EXTENSION CASE



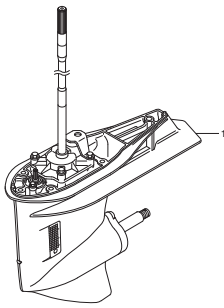
F-3-10 GEAR CASE (1)



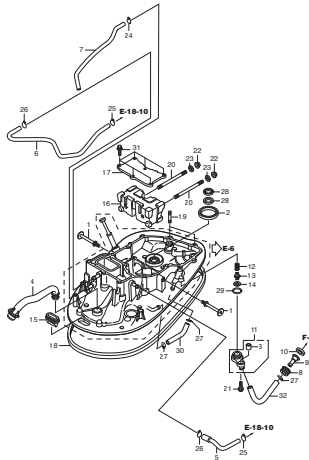
F-3-11 GEAR CASE (2)



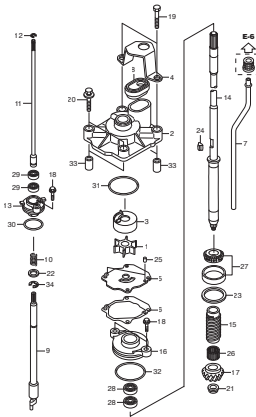
F-3-20 GEAR CASE ASSY



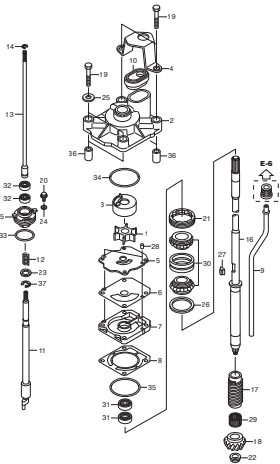
F-3-30 UPPER RUBBER MOUNT



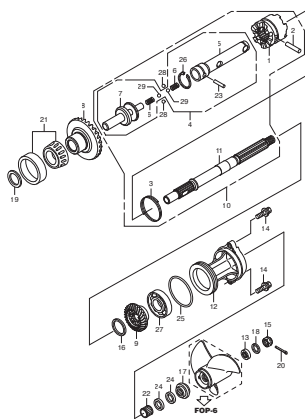
F-4 WATER PUMP (1)



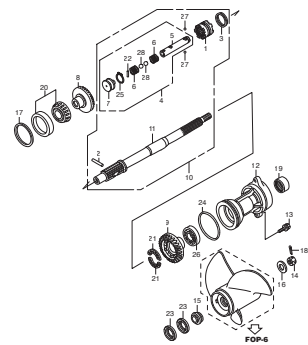
F-4-1 WATER PUMP (2)



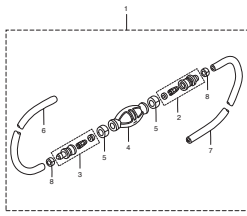
F-5 PROPELLER SHAFT (1)



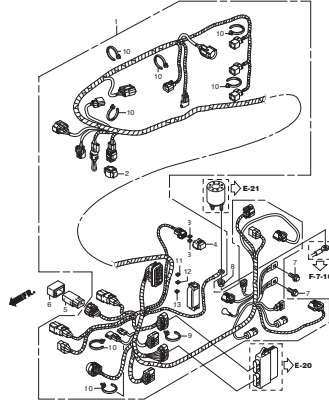
F-5-1 PROPELLER SHAFT (2)



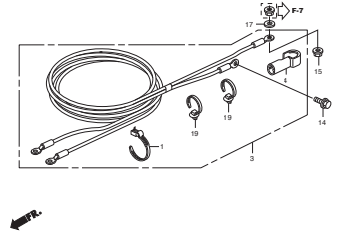
F-6 FUEL TUBE



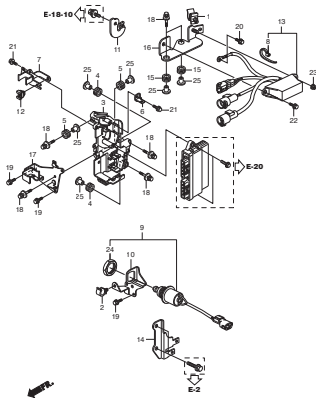
F-7 WIRE HARNESS



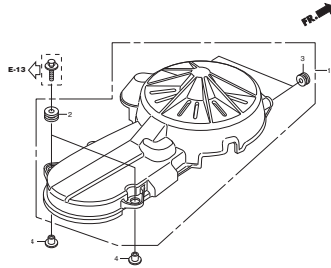
F-7-10 STARTER CABLE



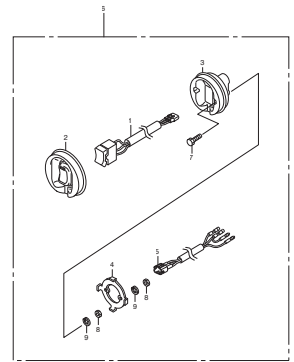
F-7-20 ELECTRONIC PARTS CASE



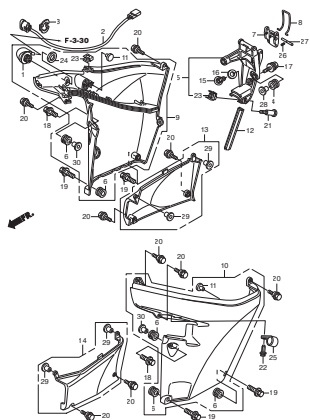
F-7-30 A.C. GENERATOR COVER



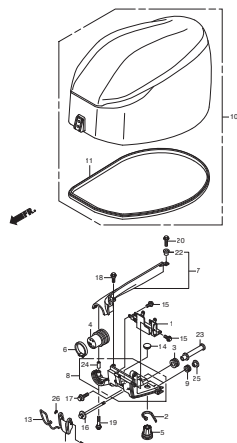
F-7-40 TROLLING CONTROL SWITCH



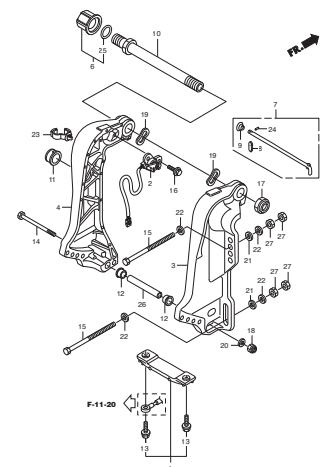
F-8 ENGINE UNDER COVER



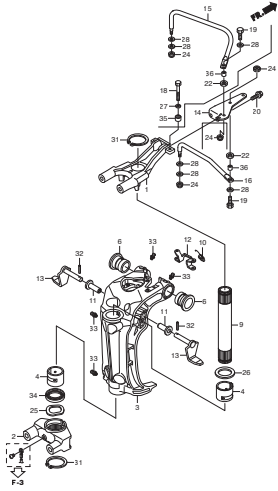
F-8-10 ENGINE COVER



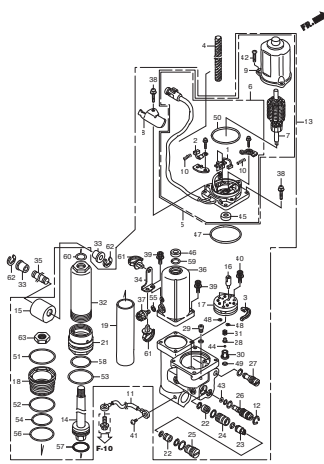
F-10 STERN BRACKET



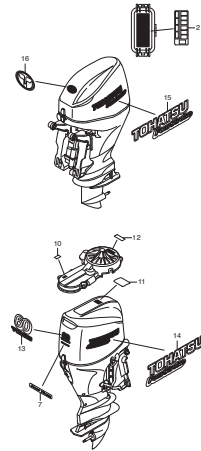
F-11 SWIVEL CASE



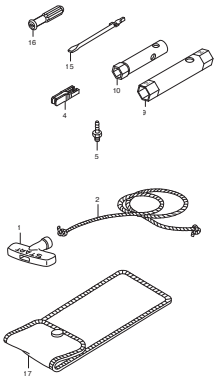
F-11-20 POWER TRIM TILT



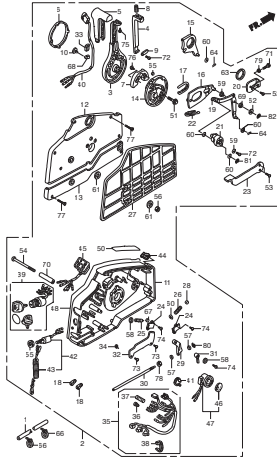
F-12 LABEL



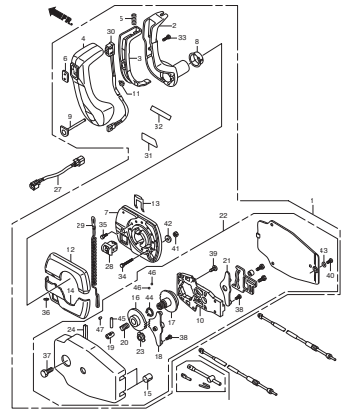
F-13 TOOL/OTHER PARTS



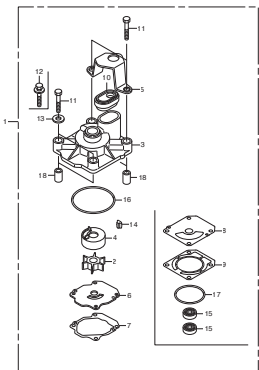
F-15 REMOTE CONTROL BOX (1)



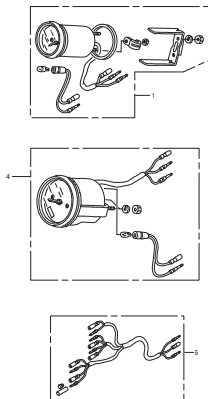
F-15-1 REMOTE CONTROL BOX (2)



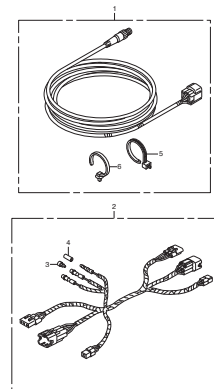
FOP-1 IMPELLER PUMP KIT



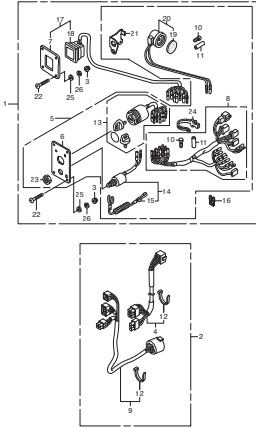
FOP-2-1 METER



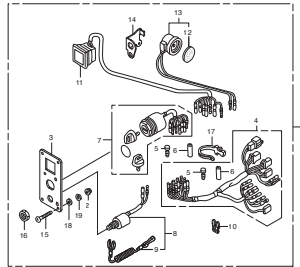
FOP-2-4 INTERFACE CABLE KIT



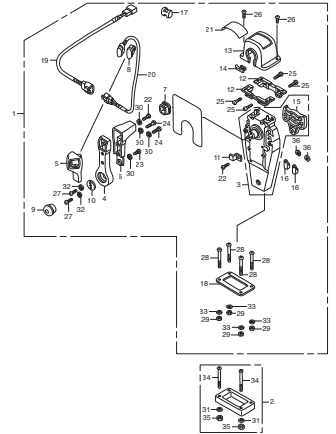
FOP-3 SWITCH PANEL KIT (1)



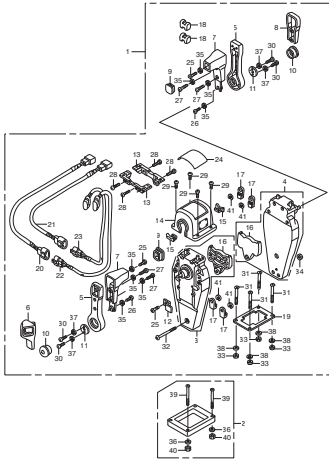
FOP-3-1 SWITCH PANEL KIT (2)



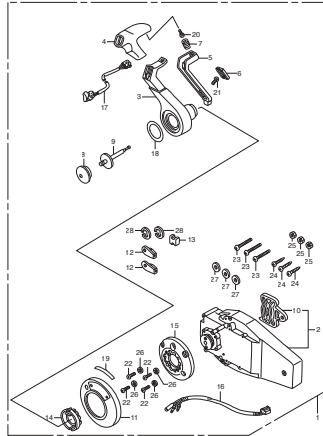
FOP-4 REMOTE CONTROL BOX (TOP MOUNT SINGLE TYPE) (RIGHT)



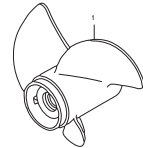
FOP-4-2 REMOTE CONTROL BOX (TOP MOUNT DUAL TYPE) (RIGHT)



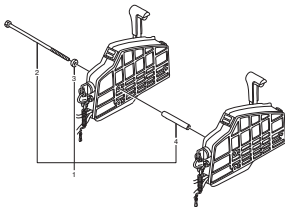
FOP-4-4 REMOTE CONTROL BOX (FLUSH MOUNT TYPE) (RIGHT)



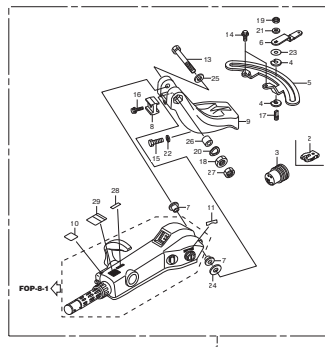
FOP-6 PROPELLER



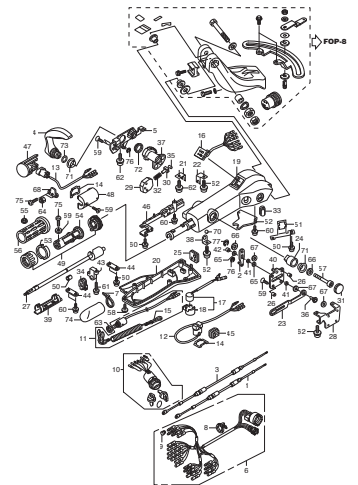
FOP-7 BOLT KIT



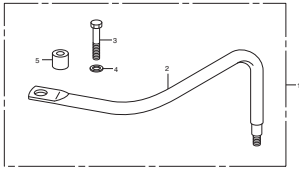
FOP-8 STEERING HANDLE KIT



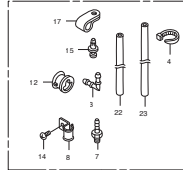
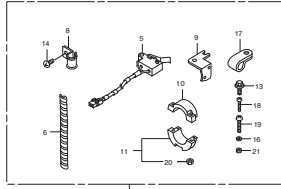
FOP-8-1 STEERING HANDLE KIT (COMPONENT PARTS)

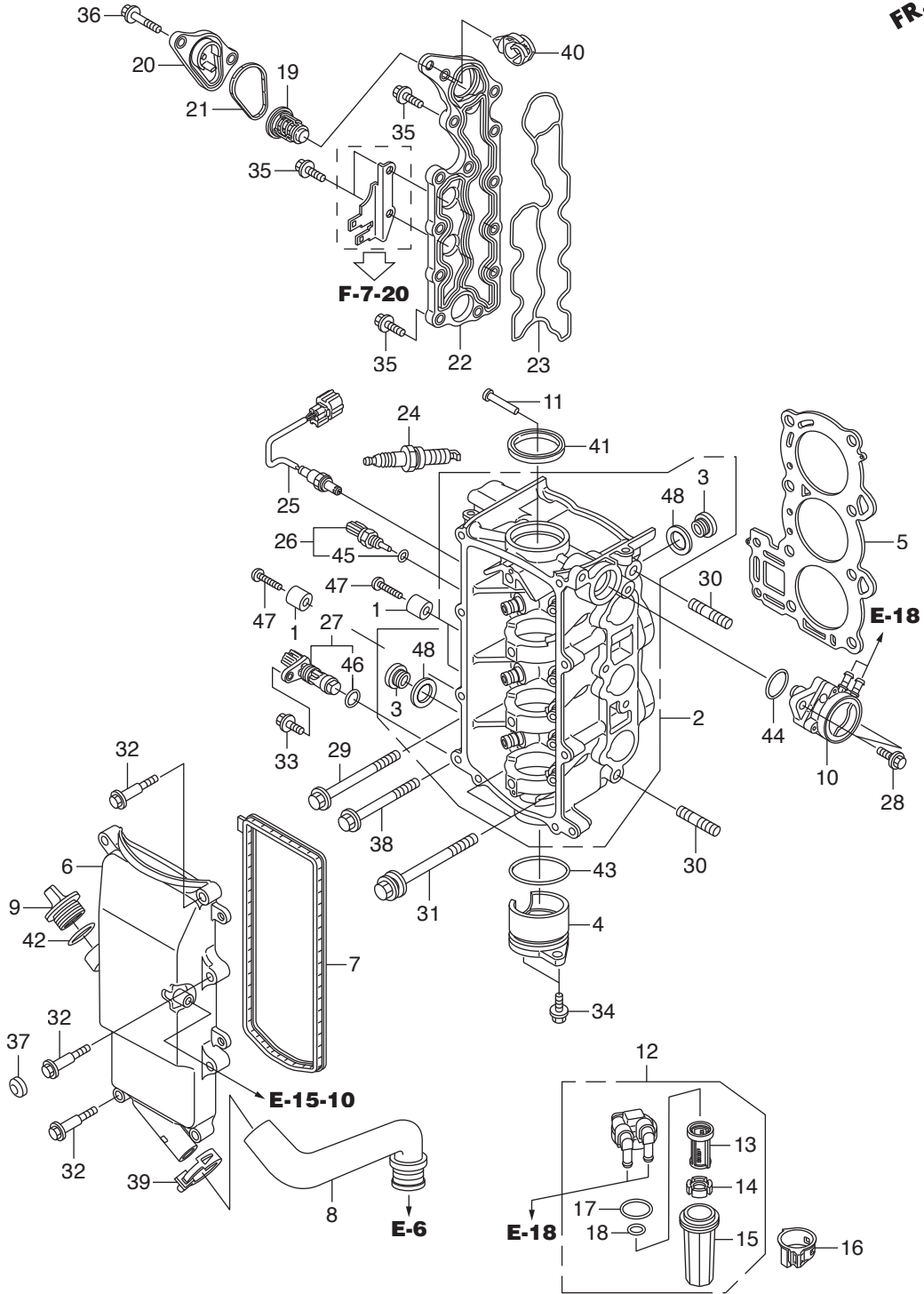


FOP-8-10 STEERING ROD KIT

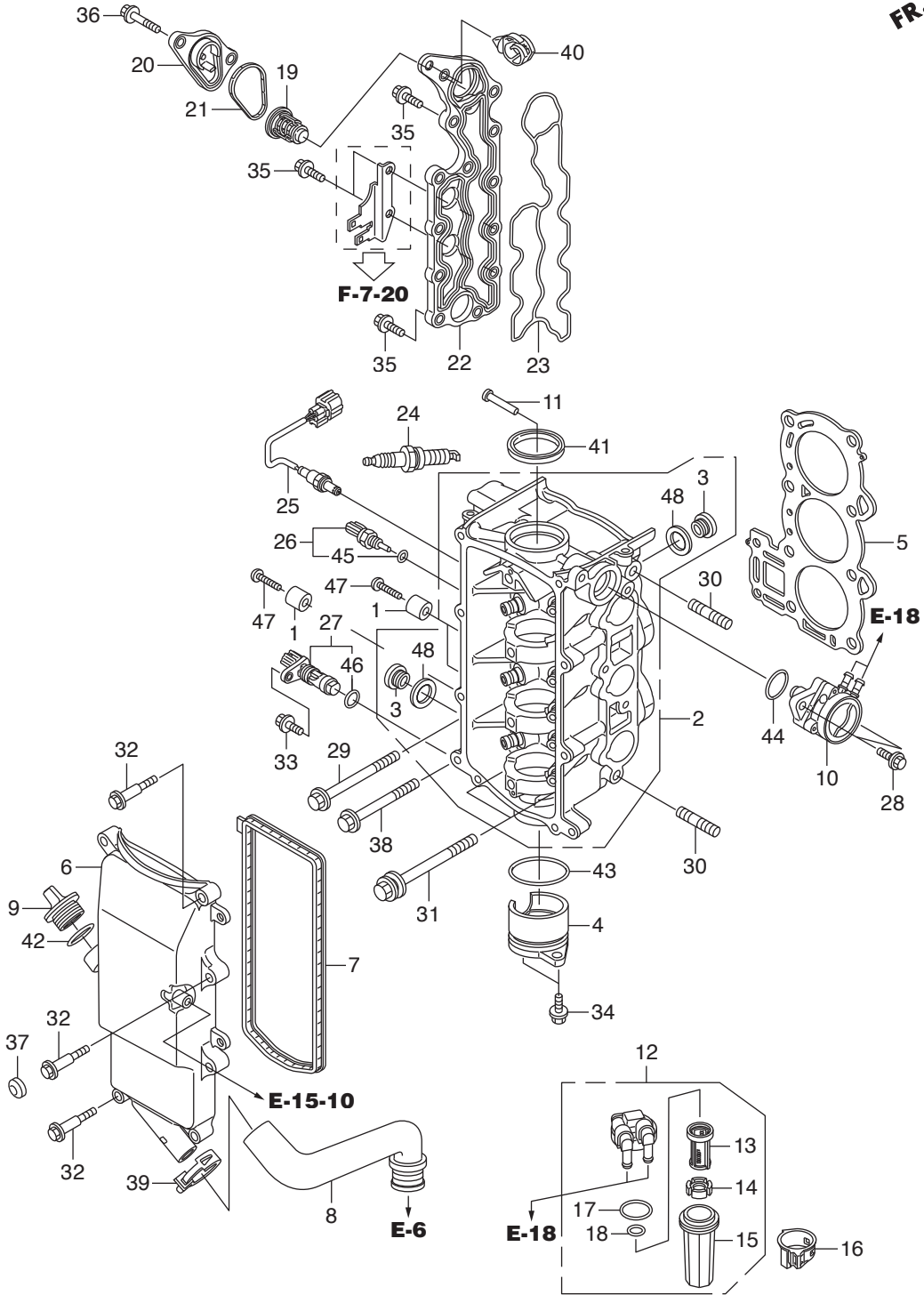


FOP-9 TILT LIMIT KIT/SPEED SENSOR TUBE KIT

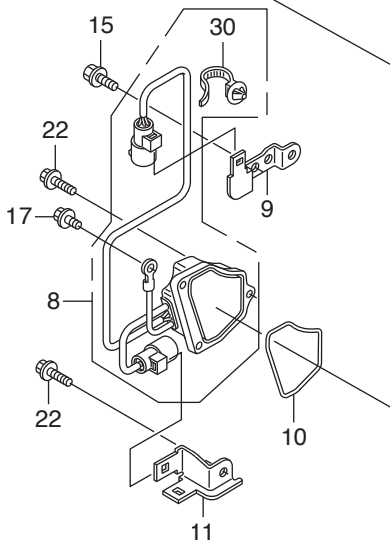
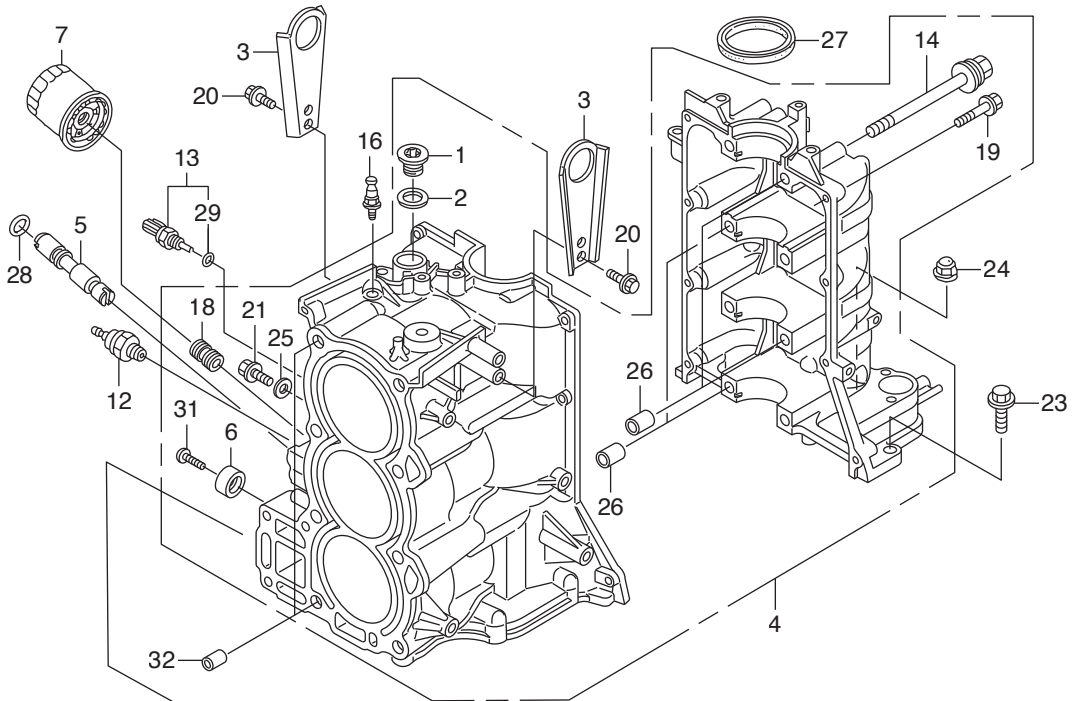




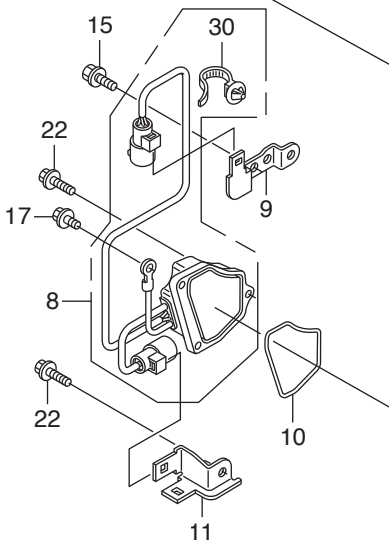
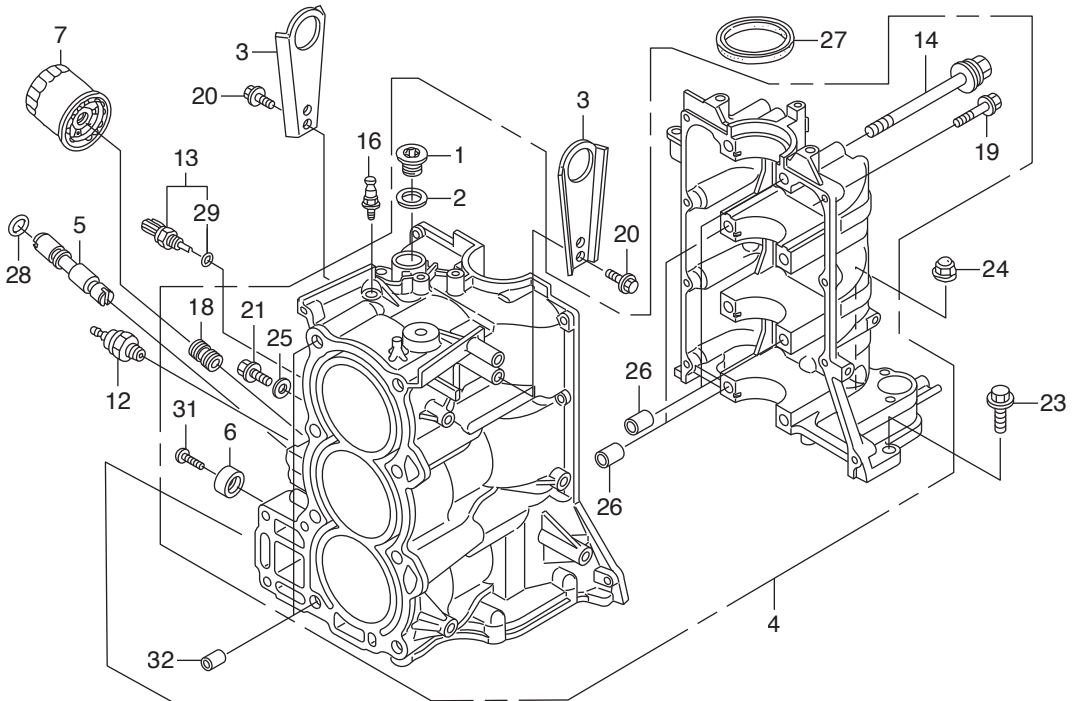
Ref.No.	Part No.	Description	Q' ty		Remarks	
			BFT60A	BFW60A		
E-2	1	HZV4-12155-A00	METAL, ANODE	3	3	
E-2	2	HZZ3-12210-000ZA	HEAD COMP., CYLINDER	1	1	*NH8* DARK GRAY
E-2	3	HZW1-12217-010	BOLT, SEALING, 20MM	2	2	
E-2	4	HZZ3-12241-000	COVER, CAM THRUST	1	1	
E-2	5	HZZ3-12251-003	GASKET, CYLINDER HEAD	1	1	
E-2	6	HZZ3-12310-000	COVER, CYLINDER HEAD	1	1	
E-2	7	HZZ3-12312-000	PACKING, HEAD COVER	1	1	
E-2	8	HZZ3-15422-000	TUBE, OIL	1	1	
E-2	9	H921-15611-000	CAP, OIL(YELLOW)	1	1	
E-2	10	HZZ3-16700-003	PUMP ASSY., FUEL	1	1	
E-2	11	HZZ3-16717-000	LIFTER, FUEL PUMP	1	1	
E-2	12	HZZ5-16900-003	STRAINER ASSY., FUEL	1	1	
E-2	13	HZZ5-16901-003	FILTER	1	1	
E-2	14	HZZ5-16906-003	FLOAT	1	1	
E-2	15	HZZ5-16912-003	CUP	1	1	
E-2	16	HZZ3-16915-000	SUSPENSION, STRAINER	1	1	
E-2	17	HZZ5-16918-003	O-RING	1	1	
E-2	18	HZZ5-16919-003	O-RING	1	1	
E-2	19	HZW9-19300-003	THERMOSTAT ASSY.	1	1	
E-2	20	HZW9-19315-000	COVER, THERMOSTAT	1	1	
E-2	21	HZW9-19317-000	O-RING, THERMOSTAT COVER	1	1	
E-2	22	HZZ3-19361-000	COVER, WATER JACKET	1	1	
E-2	23	HZZ3-19371-000	PACKING, EX. WATER JACKET	1	1	COVER
E-2	24	HZZ3-31908-003	PLUG, SPARK(LMAR6C-9)	3	3	
E-2	25	HZZ3-35655-003	SENSOR, OXYGEN	1	1	
E-2	26	HZY3-35673-003	SENSOR ASSY., WATER	1	1	TEMPERATURE
E-2	27	HZY9-35695-003	SENSOR ASSY., TDC	1	1	
E-2	28	HZW9-90003-000	BOLT, FLANGE, 6X22	2	2	
E-2	29	HZZ3-90003-000	BOLT, FLANGE, 8X90	1	1	



Ref.No.	Part No.	Description	Q'ty		Remarks	
			BFT60A	BFW60A		
E-2	30	HZZ3-90004-000	BOLT, STUD, 8X32	2	2	
E-2	31	HMEL-90007-003	BOLT-WASHER, 9X105	8	8	
E-2	32	HZZ3-90011-000	BOLT, HEAD COVER	8	8	
E-2	33	HZY3-90017-000	BOLT, FLANGE, 6X16	1	1	
E-2	34	HZW5-90018-000	BOLT, FLANGE, 6X20	2	2	
E-2	35	HZY3-90030-000	BOLT, FLANGE, 6X22	11	11	
E-2	36	HZY3-90063-000	BOLT, FLANGE, 6X37	2	2	
E-2	37	HZW4-90082-H01	CAP, BOLT, 6MM	1	1	
E-2	38	HZW4-90158-000	BOLT, FLANGE, 8X70	1	1	
E-2	39	HZW5-90606-030	CLAMP, TUBE(D29)	1	1	
E-2	40	HSA0-90683-003	CLIP, WIRE HARNESS, 25MM	1	1	
E-2	41	HZE3-91201-004	OIL SEAL, 35X52X8(ARAI)	1	1	
E-2	42	H805-91301-000	O-RING, 26X2.7	1	1	
E-2	43	HPX4-91302-004	O-RING, 46.8X2.2(NOK)	1	1	
E-2	44	HZW9-91303-000	O-RING, 31.2X2.4	1	1	
E-2	45	HPNA-91307-003	O-RING, 9.5X1.9	1	1	
E-2	46	HPNA-91333-003	O-RING, 15X1.9	1	1	
E-2	47	HCO-93500-05020-4J	SCREW, PAN, 5X20	3	3	
E-2	48	HCO-94109-20000	WASHER, DRAIN PLUG, 20MM	2	2	

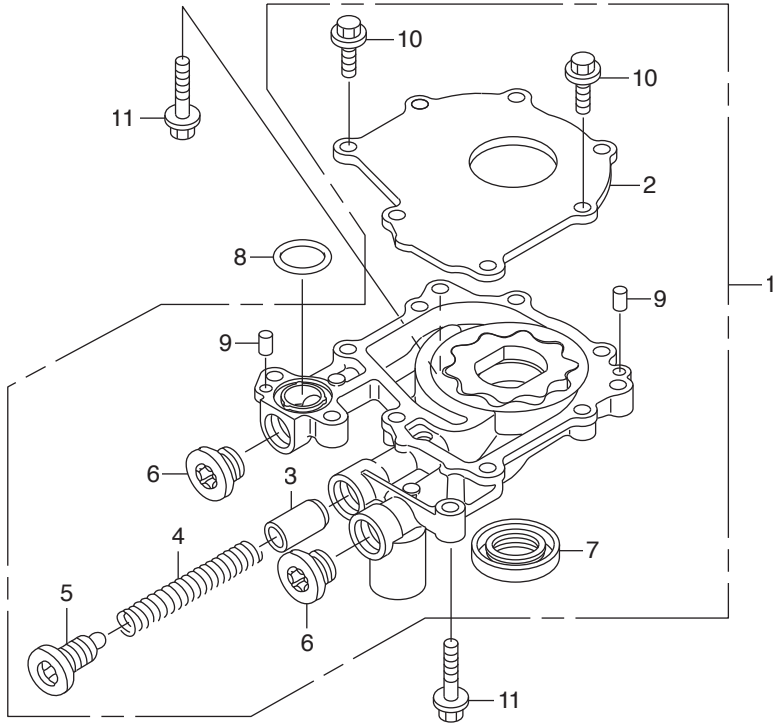


Ref.No.	Part No.	Description	Q'ty		Remarks	
			BFT60A	BFW60A		
E-3	1	HZZ3-11106-300	BOLT, SEALING, 24MM	1	1	
E-3	2	HPWA-11107-300	WASHER, SEALING, 24MM	1	1	
E-3	3	HZZ3-11911-000	HANGER, ENGINE	2	2	
E-3	4	HZZ3-12000-405ZA	BLOCK ASSY., CYLINDER	1	1	*NH8* DARK GRAY
E-3	5	HZZ3-12109-000	BOLT, BLOCK OIL DRAIN	1	1	
E-3	6	HZV5-12155-000	METAL, ANODE	1	1	
E-3	7	HPFB-15400-014	CARTRIDGE, OIL FILTER	1	1	(TOYO ROKI)
E-3	8	HZZ3-31750-003	RECTIFIER ASSY., REGULATOR	1	1	
E-3	9	HZZ3-31752-000	BRACKET A, REGULATOR COUPLER	1	1	
E-3	10	HZZ3-31754-000	PACKING, REGULATOR	1	1	
E-3	11	HZZ3-31756-000	BRACKET B, REGULATOR COUPLER	1	1	
E-3	12	HZZ3-35490-003	SWITCH ASSY., OIL PRESSURE	1	1	
E-3	13	HZY3-35673-003	SENSOR ASSY., WATER	1	1	TEMPERATURE
E-3	14	HZZ3-90001-003	BOLT-WASHER, 9X100	8	8	
E-3	15	HZW9-90011-000	BOLT, FLANGE, 6X14(CT200)	1	1	
E-3	16	HZV5-90012-013	BOLT, TIMING BELT ADJUSTING	1	1	SPRING
E-3	17	HZW9-90013-000	BOLT, FLANGE, 6X12	1	1	
E-3	18	H590-90015-000	HOLDER, OIL FILTER	1	1	
E-3	19	HZY3-90016-000	BOLT, FLANGE, 6X28	8	8	
E-3	20	HZY3-90017-000	BOLT, FLANGE, 6X16	4	4	
E-3	21	HZY3-90021-000	BOLT, FLANGE, 6X14	1	1	
E-3	22	HZY3-90030-000	BOLT, FLANGE, 6X22	3	3	
E-3	23	HZY3-90035-000	BOLT, FLANGE, 8X28	2	2	
E-3	24	HZY9-90201-000	NUT, FLANGE CAP, 8MM	2	2	
E-3	25	H397-90442-000	WASHER, SEALING, 6MM	1	1	
E-3	26	HPD2-90701-000	DOWEL PIN, 12X14	4	4	
E-3	27	HPW5-91204-005	OIL SEAL, 52X72X8(NOK)	1	1	
E-3	28	HME5-91304-003	O-RING, 5.1X2.2(ARAI)	1	1	
E-3	29	HPNA-91307-003	O-RING, 9.5X1.9	1	1	

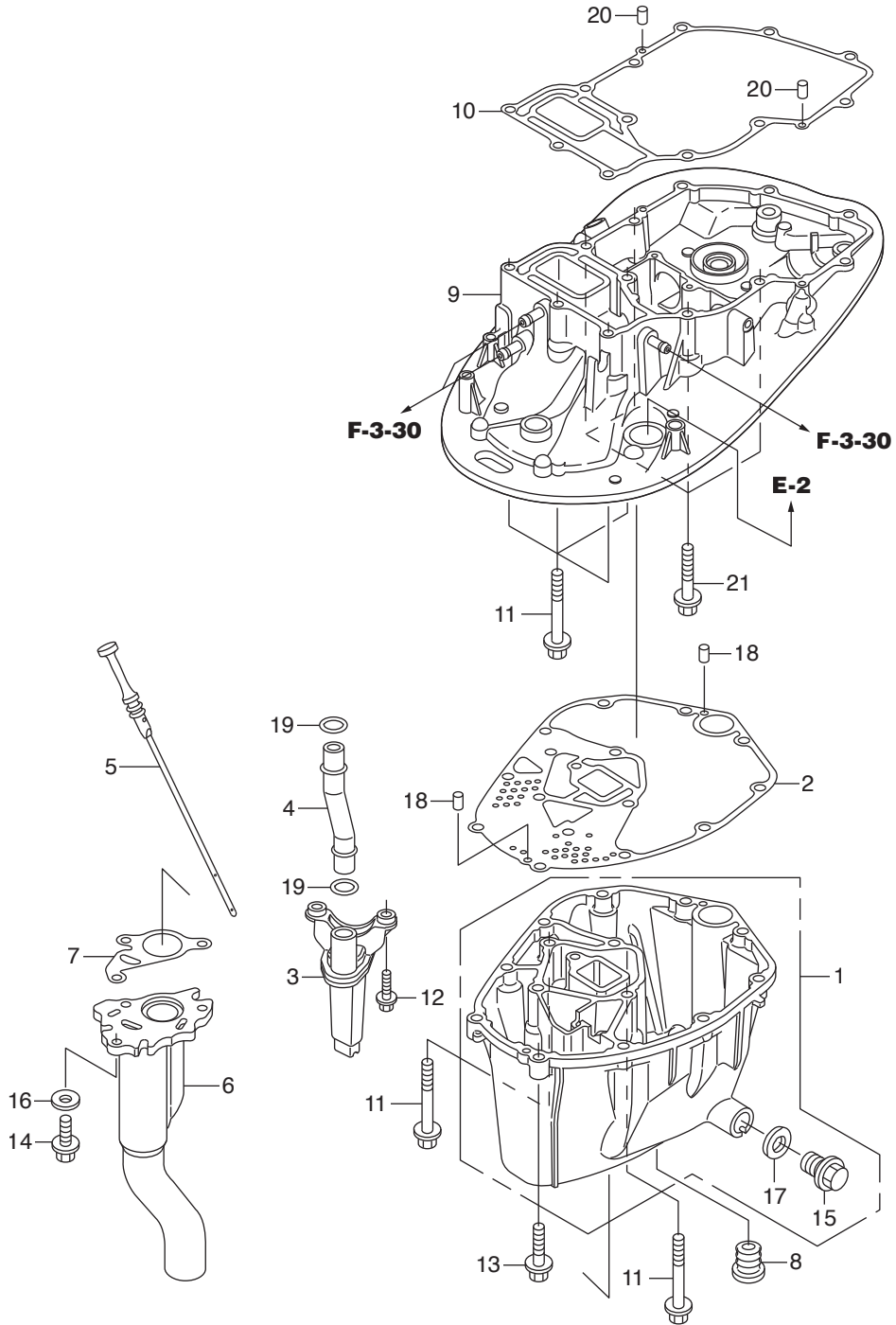


Ref.No.	Part No.	Description	Q'ty		Remarks	
			BFT60A	BFW60A		
E-3	30	HS0A-91541-003	CLIP, HARNESS BAND(BLACK)	1	1	(145MM)
E-3	31	HCO-93500-06018-4J	SCREW, PAN, 6X18	1	1	
E-3	32	HCO-94301-14200	DOWEL PIN, 14X20	2	2	

FR. 

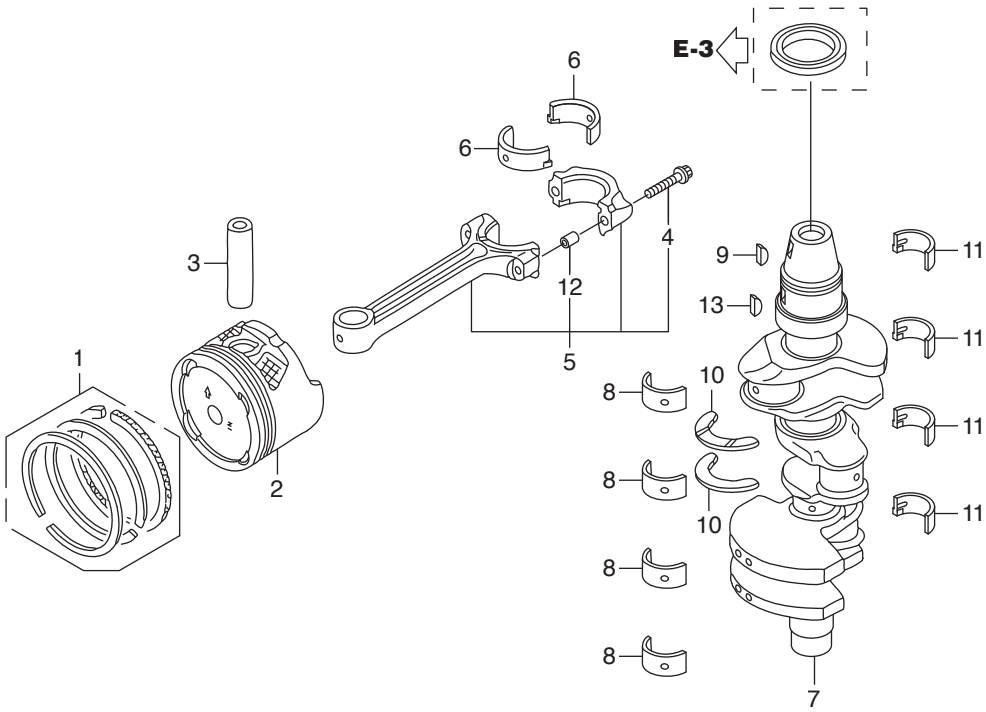


Ref.No.	Part No.	Description	Q' ty		Remarks	
			BFT60A	BFW60A		
E-5	1	HZZ3-15100-000	PUMP ASSY., OIL	1	1	
E-5	2	HZZ3-15121-000	COVER, OIL PUMP	1	1	
E-5	3	HPFB-15231-003	VALVE, RELIEF	1	1	
E-5	4	HKT8-15232-000	SPRING, RELIEF VALVE	1	1	
E-5	5	HZZ3-15236-000	BOLT, SEALING, 14MM	1	1	
E-5	6	HPE0-15301-300	BOLT, SEALING, 14MM	2	2	
E-5	7	HP01-91212-003	OIL SEAL, 31X46X7(NOK)	1	1	
E-5	8	HPC9-91331-003	O-RING, 21.2X2.4(ARAI)	1	1	
E-5	9	HCO-96220-50080	ROLLER, 5X8	2	2	
E-5	10	HCO-96300-06014-09	BOLT, FLANGE, 6X14	7	7	
E-5	11	HCO-96300-06025-09	BOLT, FLANGE, 6X25	5	5	

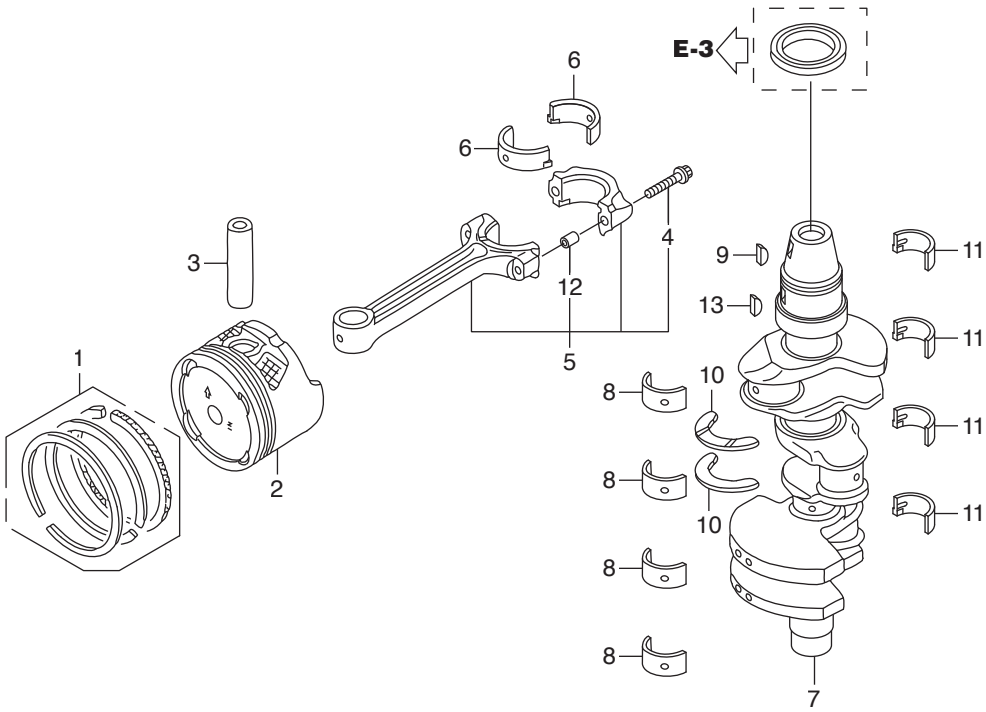


Ref.No.	Part No.	Description	Q' ty		Remarks	
			BFT60A	BFW60A		
E-6	1	HZZ3-11320-000ZA	CASE ASSY., OIL	1	1	*TGRAY* GRAY
E-6	2	HZZ3-11381-003	PACKING, OIL PAN	1	1	
E-6	3	HZZ3-15220-003	STRAINER COMP., OIL	1	1	
E-6	4	HZZ3-15223-000	PIPE, OIL STRAINER	1	1	
E-6	5	HZZ3-15655-000	GAUGE COMP., OIL LEVEL	1	1	
E-6	6	HZZ3-18330-000	PIPE COMP., EX.	1	1	
E-6	7	HZZ3-18333-000	GASKET, EX. PIPE	1	1	
E-6	8	HZV5-19252-000	GROMMET, WATER TUBE	1	1	
E-6	9	HZZ3-23170-405ZA	CASE COMP., MOUNT	1	1	*NH8* DARK GRAY
E-6	10	HZZ3-23172-003	GASKET, MOUNT CASE	1	1	
E-6	11	HZZ3-90002-000	BOLT, FLANGE, 8X60(SUS)	9	9	
E-6	12	HZZ3-90005-000	BOLT, FLANGE, 6X22	2	2	
E-6	13	HZZ3-90006-000	BOLT, FLANGE, 8X35(SUS)	10	10	
E-6	14	HZZ3-90008-000	BOLT, FLANGE, 8X26(SUS)	3	3	
E-6	15	HZV5-90131-000	BOLT, DRAIN PLUG	1	1	
E-6	16	HZV4-90507-000	WASHER, PLAIN, 8MM	3	3	
E-6	17	HZE2-90601-000	WASHER, DRAIN PLUG, 12MM	1	1	
E-6	18	HZV5-90756-000	DOWEL PIN, 6X10	2	2	
E-6	19	HMB6-91302-830	O-RING, 13X3.0	2	2	
E-6	20	HCO-94301-06100	DOWEL PIN, 6X10	2	2	
E-6	21	HCO-96300-08060-09	BOLT, FLANGE, 8X60	4	4	

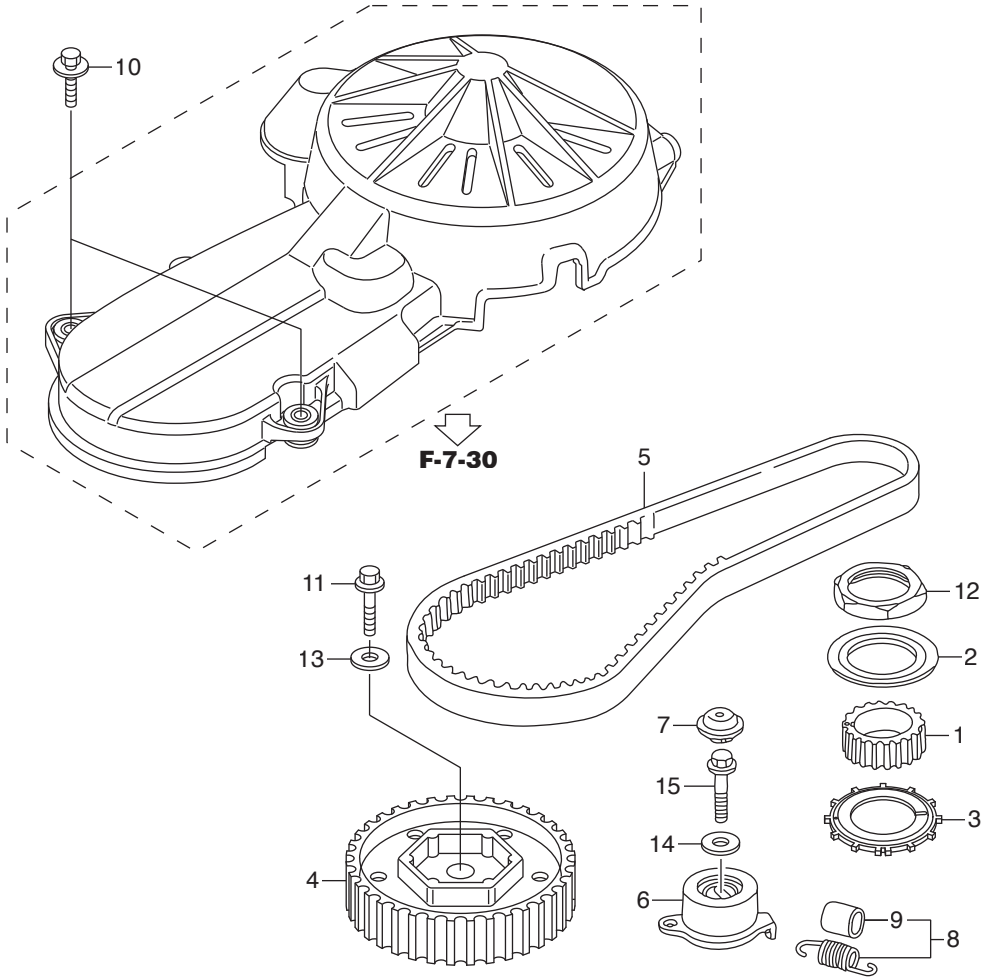
FR. 



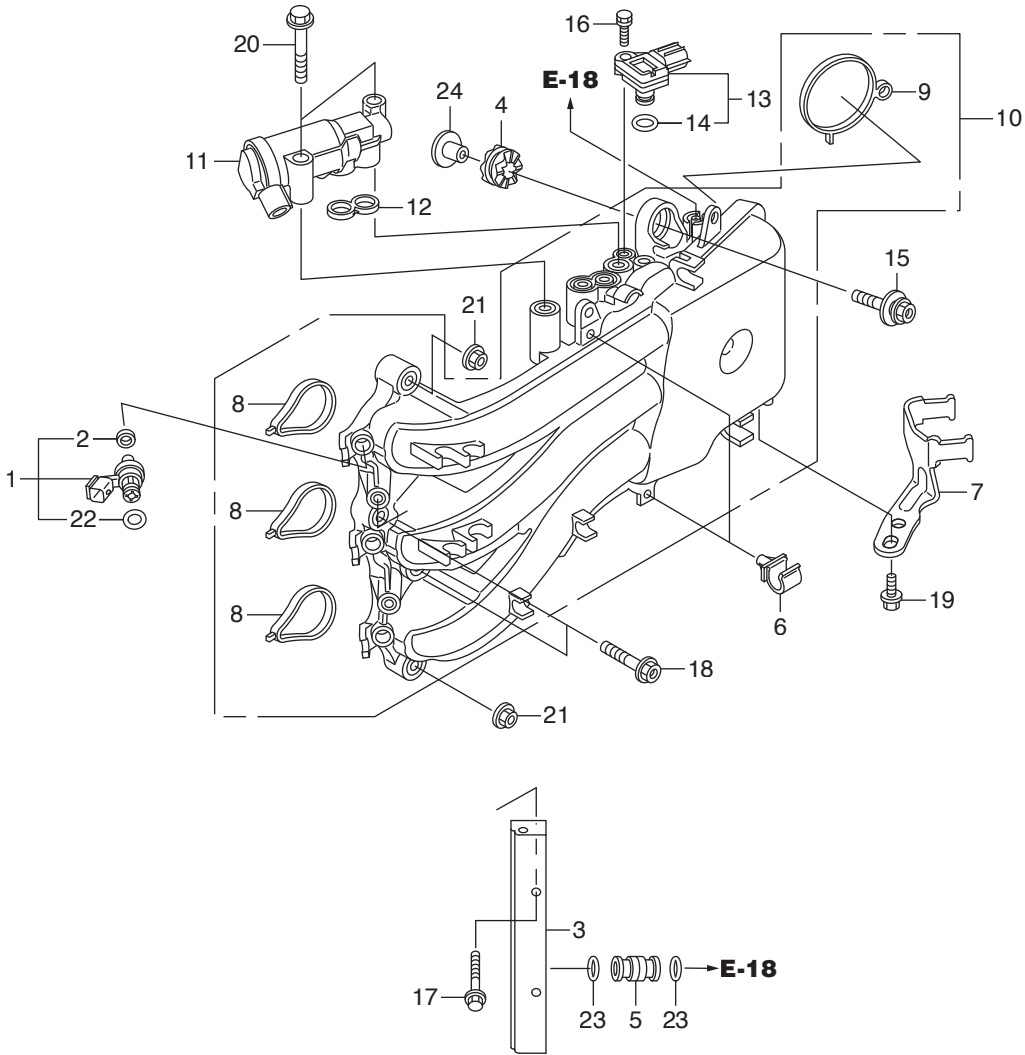
Ref.No.	Part No.	Description	Q' ty		Remarks	
			BFT60A	BFW60A		
E-7	1	HZZ3-13010-010	RING SET, PISTON(STD.)(RIKEN)	3	3	
E-7	2	HZZ3-13101-010	PISTON	3	3	
E-7	3	HPWA-13111-000	PIN, PISTON	3	3	
E-7	4	HPWA-13204-003	BOLT, CONNECTING ROD	6	6	
E-7	5	HZZ3-13210-000	ROD COMP., CONNECTING	3	3	
E-7	6	HPWA-13211-003	BEARING A, CONNECTING ROD	6	6	(BLUE)(DAIDO)
E-7		HPWA-13212-003	BEARING B, CONNECTING ROD	6	6	(BLACK)(DAIDO)
E-7		HPWA-13213-003	BEARING C, CONNECTING ROD	6	6	(BROWN)(DAIDO)
E-7		HPWA-13214-003	BEARING D, CONNECTING ROD	6	6	(GREEN)(DAIDO)
E-7		HPWA-13215-003	BEARING E, CONNECTING ROD	6	6	(YELLOW)(DAIDO)
E-7		HPWA-13216-003	BEARING F, CONNECTING ROD	6	6	(PINK)(DAIDO)
E-7		HPWA-13217-003	BEARING G, CONNECTING ROD(RE D)	6	6	(DAIDO)
E-7	7	HZZ3-13311-000	CRANKSHAFT	1	1	
E-7	8	HPWA-13322-003	BEARING B, MAIN UPPER(BLACK)	4	4	(DAIDO)
E-7		HPWA-13323-003	BEARING C, MAIN UPPER(BROWN)	4	4	(DAIDO)
E-7		HPWA-13324-003	BEARING D, MAIN UPPER(GREEN)	4	4	(DAIDO)
E-7		HPWA-13325-003	BEARING E, MAIN UPPER(YELLOW)	4	4	(DAIDO)
E-7		HPWA-13326-003	BEARING F, MAIN UPPER(PINK)	4	4	(DAIDO)
E-7		HPWA-13327-003	BEARING G, MAIN UPPER(RE D)	4	4	(DAIDO)
E-7		HPWA-13328-003	BEARING H, MAIN UPPER(WHITE)	4	4	(DAIDO)
E-7	9	H357-13331-000	KEY, SPECIAL WOODRUFF, 25X18	1	1	
E-7	10	HZZ3-13331-003	WASHER, THRUST	2	2	
E-7	11	HPWA-13342-003	BEARING B, MAIN LOWER(BLACK)	4	4	(DAIDO)
E-7		HPWA-13343-003	BEARING C, MAIN LOWER(BROWN)	4	4	(DAIDO)
E-7		HPWA-13344-003	BEARING D, MAIN LOWER(GREEN)	4	4	(DAIDO)
E-7		HPWA-13345-003	BEARING E, MAIN LOWER(YELLOW)	4	4	(DAIDO)
E-7		HPWA-13346-003	BEARING F, MAIN LOWER(PINK)	4	4	(DAIDO)
E-7		HPWA-13347-003	BEARING G, MAIN LOWER(RE D)	4	4	(DAIDO)
E-7		HPWA-13348-003	BEARING H, MAIN LOWER(WHITE)	4	4	(DAIDO)



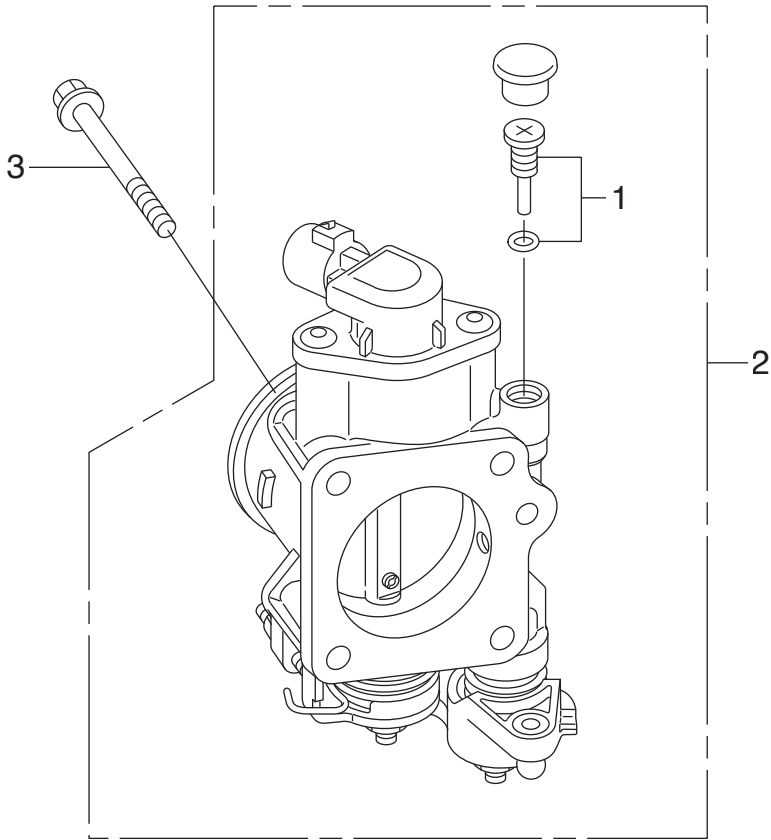
Ref.No.	Part No.	Description	Q' ty		Remarks	
			BFT60A	BFW60A		
E-9	1	HPZ1-12210-004	SEAL A, VALVE STEM(NOK)	6	6	
E-9	2	HPZ1-12211-004	SEAL B, VALVE STEM(NOK)	6	6	
E-9	3	HZZ3-14110-000	CAMSHAFT COMP.	1	1	
E-9	4	HZZ3-14221-003	PLATE, TDC PULSER	1	1	
E-9	5	HPWA-14222-004	BOLT, TDC PULSER PLATE	1	1	
E-9	6	HZY9-14430-000	ARM COMP., IN. VALVE ROCKER	3	3	
E-9	7	HZY9-14441-000	ARM COMP., EX. ROCKER(A)	3	3	
E-9	8	HZY9-14442-000	ARM COMP., EX. ROCKER(B)	3	3	
E-9	9	HZZ3-14631-000	SHAFT COMP., ROCKER	1	1	
E-9	10	HPWA-14647-000	WASHER, THRUST	9	9	
E-9	11	HPY3-14647-000	WASHER, IN. WAVE	3	3	
E-9	12	HPWC-14711-000	VALVE, IN.	6	6	
E-9	13	HRB0-14721-000	VALVE, EX.	6	6	
E-9	14	HPM3-14744-000	SCREW, TAPPET ADJUSTING	12	12	
E-9	15	HZY9-14751-003	SPRING, IN. VALVE	6	6	
E-9	16	HZY9-14752-003	SPRING, EX. VALVE	6	6	
E-9	17	HRGA-14765-000	RETAINER, VALVE SPRING	12	12	
E-9	18	HP08-14775-000	SEAT, VALVE SPRING	12	12	
E-9	19	HRGM-14781-A01	COTTER, VALVE(FUJI VALVE)	24	24	
E-9	20	HPWA-90006-003	BOLT, ROCKER ARM SHAFT	4	4	
E-9	21	HPM3-90206-004	NUT, TAPPET ADJUSTING	12	12	(TOKAI TRW)
E-9	22	HCO-96220-40080	ROLLER, 4X8	1	1	



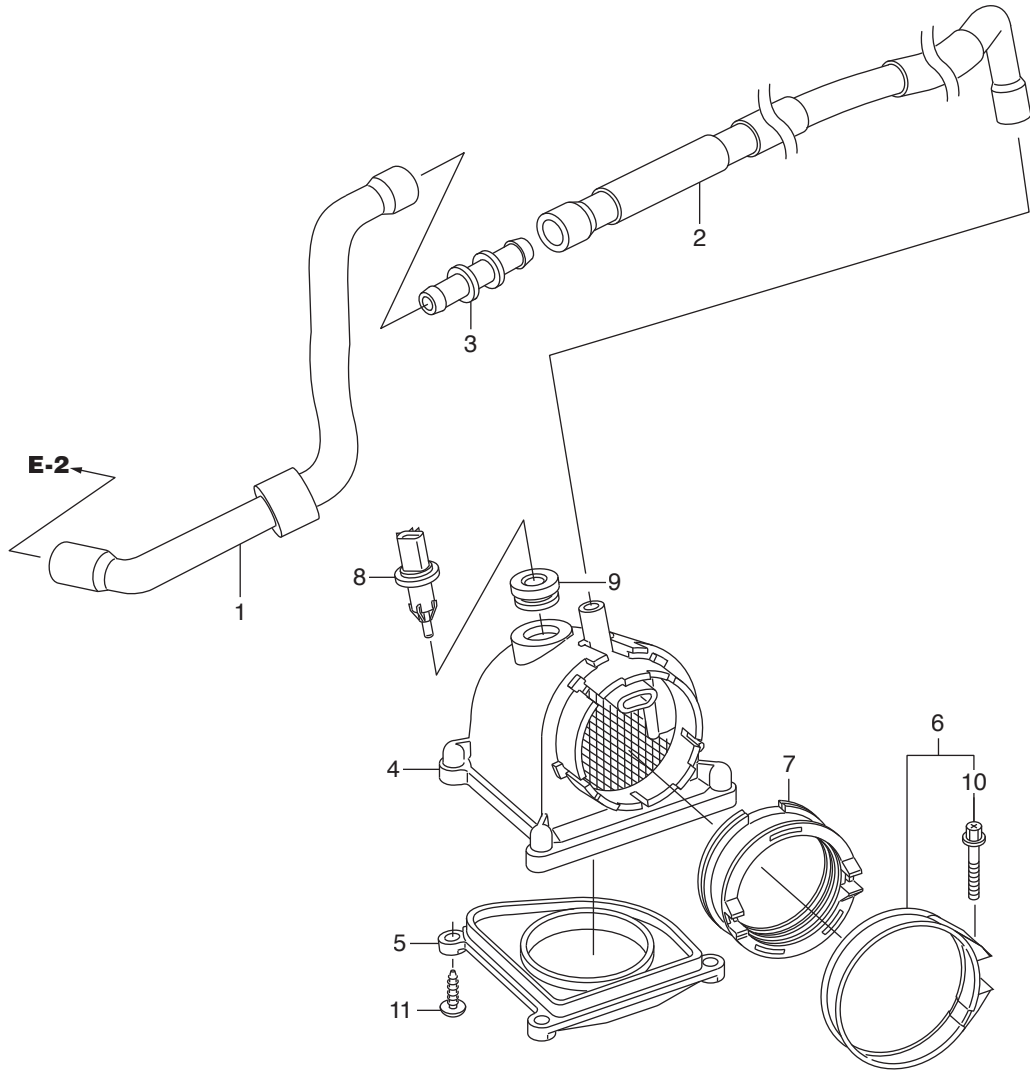
FR. 



Ref.No.	Part No.	Description	Q' ty		Remarks	
			BFT60A	BFW60A		
E-14	1	HZZ3-16450-003	INJECTOR ASSY., FUEL	3	3	
E-14	2	HKPC-16472-D50	RING, SEAL	3	3	
E-14	3	HZZ5-16620-010	LINE COMP., FUEL	1	1	
E-14	4	HZW5-16733-000	GROMMET, VAPOR SEPARATOR	2	2	
E-14	5	HZY3-16752-A00	JOINT, FUEL PIPE	1	1	
E-14	6	HZY9-16896-003	CLAMP B, FUEL TUBE	2	2	
E-14	7	HZZ3-16914-000	STAY, FUEL STRAINER	1	1	
E-14	8	HZZ3-17105-000	PACKING, INTAKE MANIFOLD	3	3	
E-14	9	HZZ5-17107-003	PACKING, THROTTLE BODY	1	1	
E-14	10	HZZ3-17110-003	MANIFOLD COMP., INLET	1	1	
E-14	11	HZZ5-36550-003	VALVE ASSY., ELECTRONIC AIR	1	1	CONTROL
E-14	12	HZY6-36551-003	PACKING, ELECTRONIC AIR	1	1	CONTROL VALVE
E-14	13	HRNA-37830-A01	SENSOR ASSY., MAP	1	1	
E-14	14	HPGK-37835-A01	O-RING	1	1	
E-14	15	HZW1-90014-000	BOLT-WASHER, 8X35	2	2	
E-14	16	HZY3-90029-000	BOLT-WASHER, 5X18	1	1	
E-14	17	HZY3-90031-000	BOLT, FLANGE, 6X32	2	2	
E-14	18	HZY3-90036-000	BOLT, FLANGE, 8X32	2	2	
E-14	19	HZY3-90056-000	BOLT, FLANGE, 6X12	2	2	
E-14	20	HZW4-90126-000	BOLT, FLANGE, 8X45	2	2	
E-14	21	HZY3-90205-000	NUT, FLANGE, 8MM	2	2	
E-14	22	HKPH-91301-701	O-RING, 7.3X2.2	3	3	
E-14	23	HMJ0-91301-003	O-RING, 7.8X1.9(ARAD)	2	2	
E-14	24	HZW1-91554-000	COLLAR, 8.5X14.5	2	2	

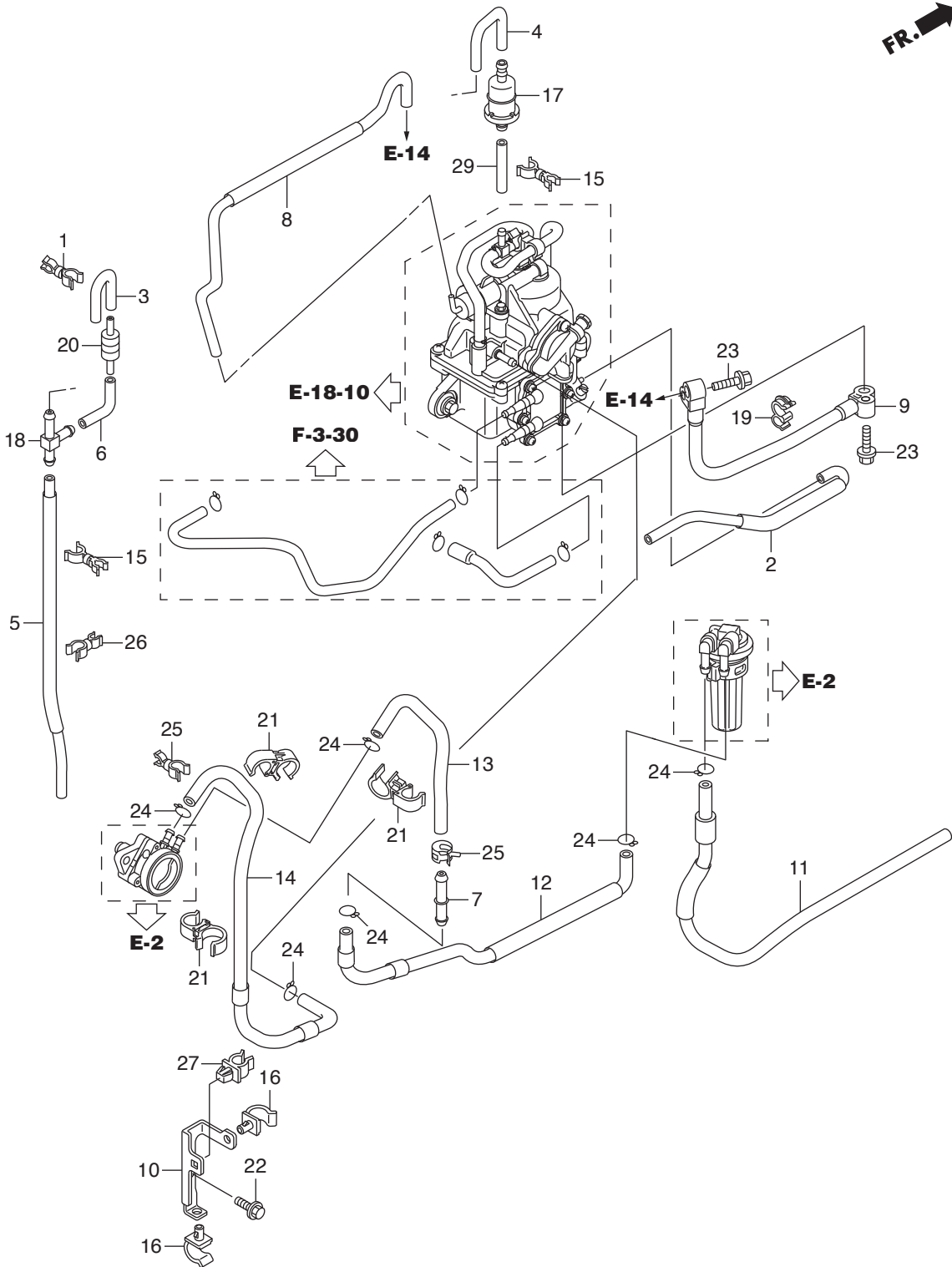


Ref.No.	Part No.	Description	Q' ty		Remarks	
			BFT60A	BFW60A		
E-15	1	HZY6-16016-003	SCREW SET	1	1	
E-15	2	HZZ3-16400-003	BODY ASSY., THROTTLE	1	1	
E-15	3	HZW4-90146-000	BOLT, FLANGE, 6X50	4	4	



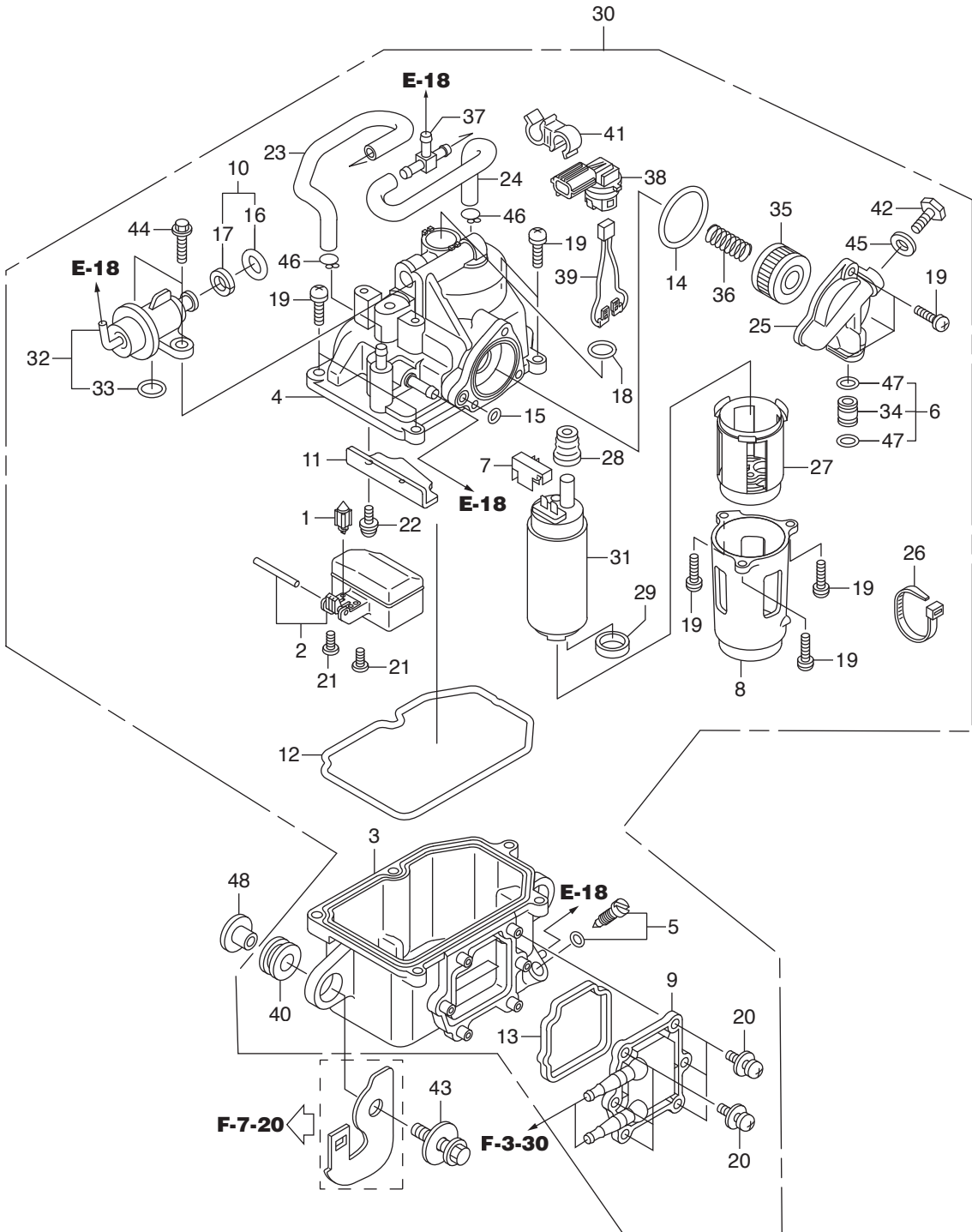
E-18 TUBING

FR. 



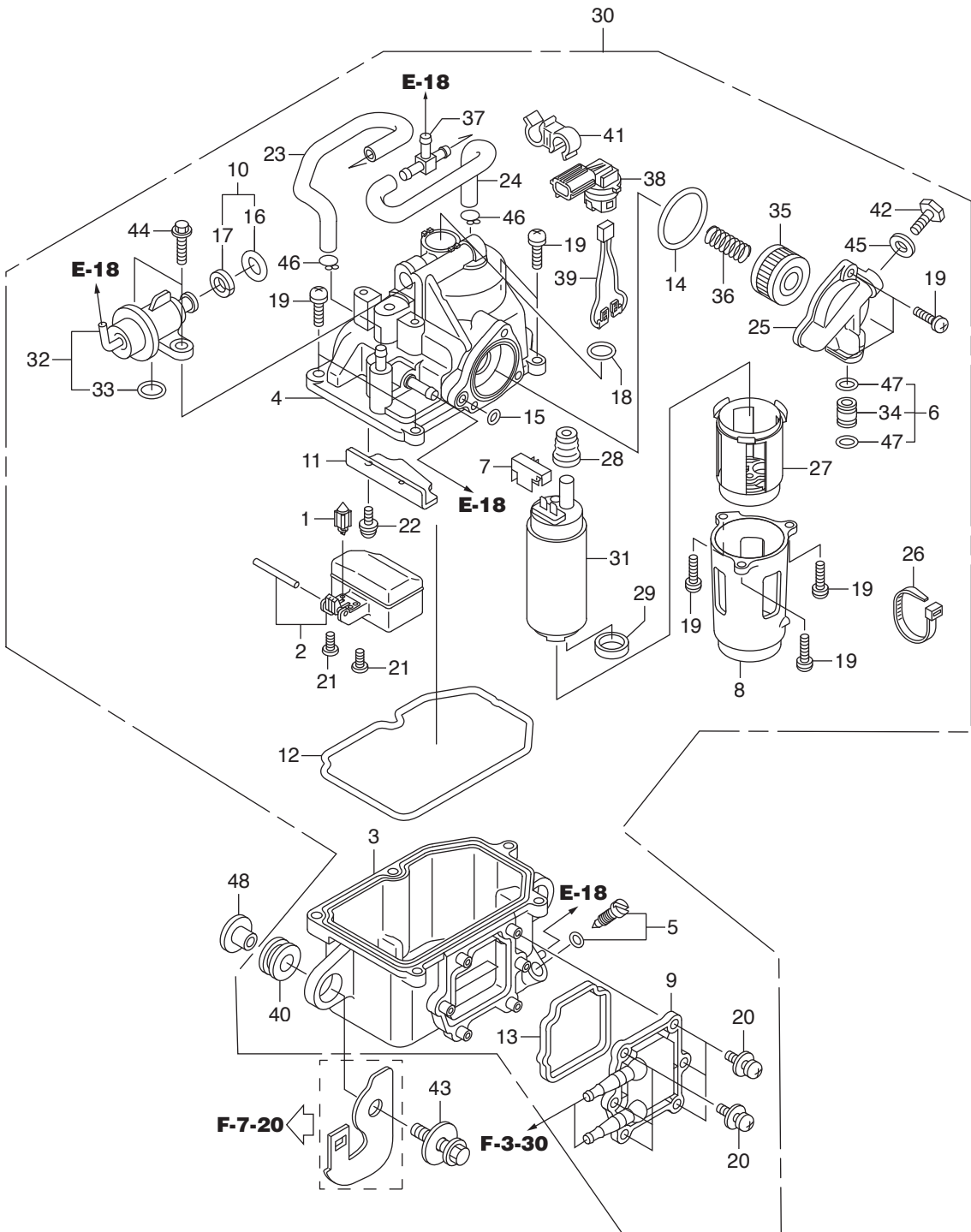
Ref.No.	Part No.	Description	Q' ty		Remarks	
			BFT60A	BFW60A		
E-18	1	HMCG-15562-000	CLAMP, OIL HOSE	1	1	
E-18	2	HZZ3-16192-000	TUBE COMP., DRAIN	1	1	
E-18	3	HZY9-16196-000	TUBE B, CHECK VALVE	1	1	
E-18	4	HZZ3-16197-000	TUBE C, AIR VENT	1	1	
E-18	5	HZZ3-16198-000	TUBE D, AIR VENT	1	1	
E-18	6	HZZ3-16199-000	TUBE E, AIR VENT	1	1	
E-18	7	HRMA-16723-E00	JOINT, FUEL FEED HOSE	1	1	
E-18	8	HZZ3-16748-000	TUBE, PRESSURE REGULATOR	1	1	CONTROL
E-18	9	HZZ3-16755-003	HOSE COMP., FUEL	1	1	
E-18	10	HZZ3-16816-000	BRACKET, TUBE CLAMP	1	1	
E-18	11	HZZ3-16850-A01	TUBE COMP. A, FUEL	1	1	
E-18	12	HZZ3-16865-A00	TUBE COMP. B, FUEL	1	1	
E-18	13	HZZ3-16866-A00	TUBE D, FUEL	1	1	
E-18	14	HZZ3-16871-A00	TUBE C, FUEL	1	1	
E-18	15	HZZ3-16895-003	CLAMP, AIR VENT TUBE	2	2	
E-18	16	HZY9-16896-003	CLAMP B, FUEL TUBE	2	2	
E-18	17	HZV4-16910-015	STRAINER COMP., FUEL	1	1	
E-18	18	HMCT-16961-010	JOINT, THREE WAY	1	1	
E-18	19	HPY3-17439-A01	CLAMP, TUBE(7.5-11.5)(BLACK)	1	1	
E-18	20	HZY6-36135-003	VALVE, CHECK	1	1	
E-18	21	HSE0-53740-953	CLIP, SENSOR HOSE	3	3	
E-18	22	HZW9-90011-000	BOLT, FLANGE, 6X14(CT200)	1	1	
E-18	23	HHW1-90205-670	BOLT, FLANGE, 6X25	2	2	
E-18	24	HZV0-90604-000	CLIP, TUBE(B12)	7	7	
E-18	25	HZW5-90652-003	CLAMP, 6MM-12MM	1	1	
E-18	26	HMB1-90655-921	CLIP, WIRE	1	1	
E-18	27	HSZ5-91531-003	CLIP, TUBE, 3.5	1	1	
E-18	28	HCO-95001-55035-40	TUBE, FUEL, 5.3X35	1	1	(HC-95001-55001-60M)

FR. →



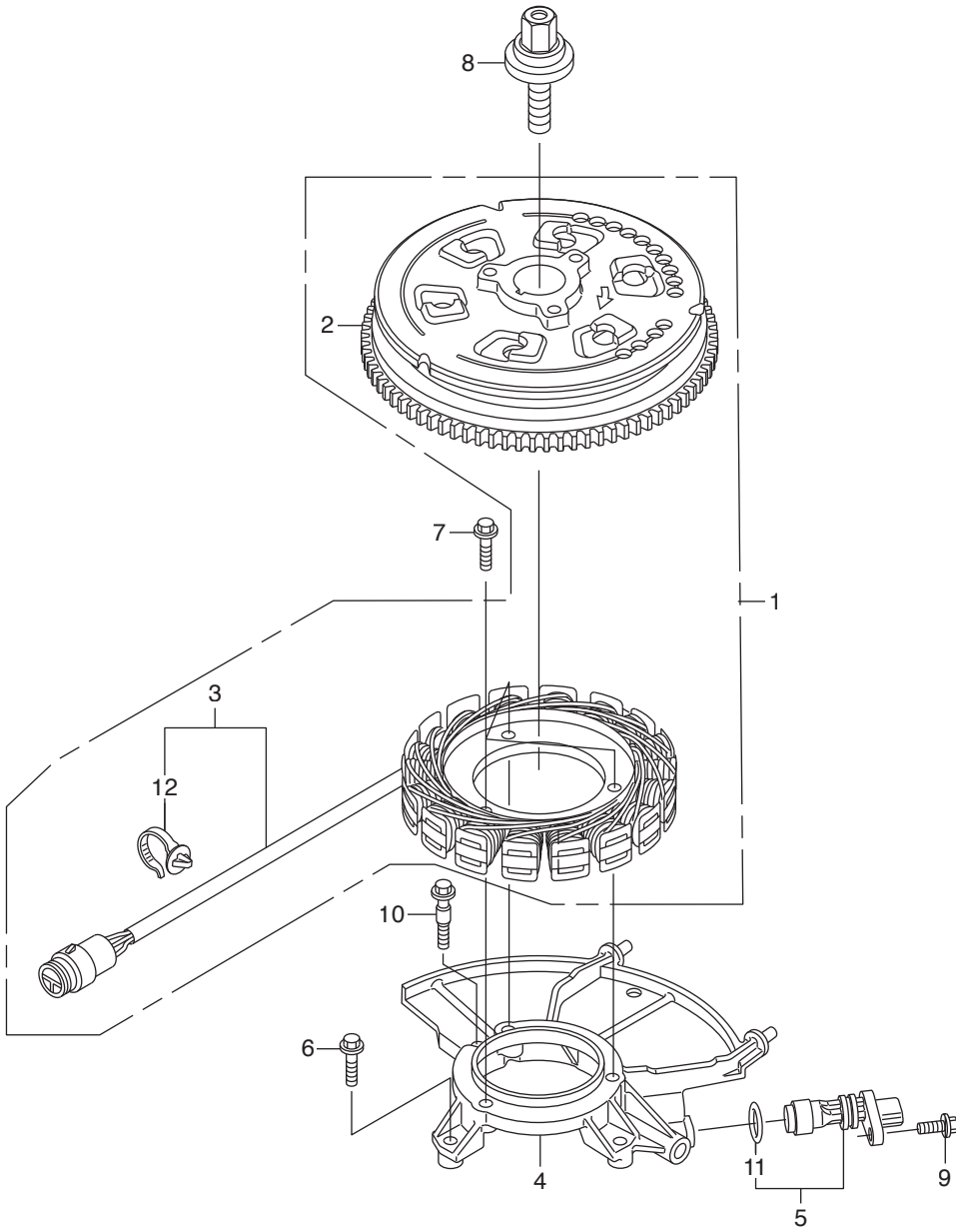
Ref.No.	Part No.	Description	Q' ty		Remarks	
			BFT60A	BFW60A		
E-18-10	1	HZY3-16011-A01	VALVE SET, FLOAT	1	1	
E-18-10	2	HZZ5-16013-003	FLOAT SET	1	1	
E-18-10	3	HZZ3-16019-003	BODY	1	1	
E-18-10	4	HZZ3-16020-003	COVER COMP.	1	1	
E-18-10	5	HZY3-16024-000	SCREW SET, DRAIN	1	1	
E-18-10	6	HZY3-16026-000	JOINT SET	1	1	
E-18-10	7	HZZ5-16041-003	COVER	1	1	
E-18-10	8	HZZ5-16042-003	HOLDER	1	1	
E-18-10	9	HZZ5-16061-003	COVER, WATER JACKET	1	1	
E-18-10	10	HZZ5-16063-003	SEAL SET	1	1	
E-18-10	11	HZZ5-16064-003	PLATE	1	1	
E-18-10	12	HZZ5-16066-003	O-RING	1	1	
E-18-10	13	HZZ5-16072-003	PACKING	1	1	
E-18-10	14	HZZ5-16073-003	O-RING	1	1	
E-18-10	15	HZZ5-16074-003	O-RING	1	1	
E-18-10	16	HZZ5-16075-003	O-RING	1	1	
E-18-10	17	HZZ5-16076-003	RING, BACKUP	1	1	
E-18-10	18	HZZ5-16077-003	O-RING	1	1	
E-18-10	19	HZW5-16081-010	SCREW-WASHER	11	11	
E-18-10	20	HZY9-16081-003	SCREW-WASHER	6	6	
E-18-10	21	HZY3-16082-000	SCREW, PAN	2	2	
E-18-10	22	HZY3-16083-000	SCREW, WASHER	1	1	
E-18-10	23	HZZ3-16195-000	TUBE A, AIR VENT	1	1	
E-18-10	24	HZZ3-16196-000	TUBE B, AIR VENT	1	1	
E-18-10	25	HZZ3-16708-003	COVER	1	1	
E-18-10	26	HZZ5-16709-003	BAND	1	1	
E-18-10	27	HZZ5-16718-003	INSULATOR COMP.	1	1	
E-18-10	28	HZY9-16721-003	INSULATOR	1	1	
E-18-10	29	HZY6-16723-003	RING	1	1	

FR. →

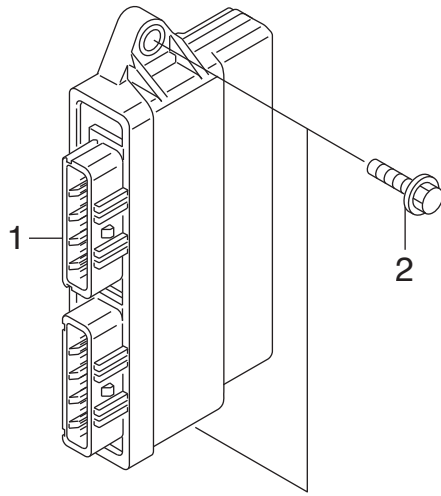


Ref.No.	Part No.	Description	Q' ty		Remarks	
			BFT60A	BFW60A		
E-18-10	30	HZZ3-16730-003	SEPARATOR ASSY., VAPOR	1	1	
E-18-10	31	HZZ5-16735-003	PUMP UNIT, FUEL	1	1	
E-18-10	32	HZZ5-16740-003	REGULATOR ASSY., PRESSURE	1	1	
E-18-10	33	HPG7-16741-005	O-RING, PRESSURE REGULATOR	1	1	
E-18-10	34	HZY3-16752-000	JOINT, FUEL PIPE	1	1	
E-18-10	35	HZZ5-16911-003	SCREEN COMP., FUEL STRAINER	1	1	
E-18-10	36	HZZ5-16913-003	SPRING, COMPRESSION	1	1	
E-18-10	37	HME9-16960-000	PIPE, THREE WAY JOINT	1	1	
E-18-10	38	HZZ5-32166-003	COUPLER COMP.	1	1	
E-18-10	39	HZZ5-32167-003	HARNESS COMP.	1	1	
E-18-10	40	HZV5-40102-000	GROMMET, UNDER CASE	2	2	
E-18-10	41	HSJ6-47585-003	CLIP, R. BRAKE WIRE	1	1	
E-18-10	42	HPP4-90009-E01	BOLT, SEALING, 6MM	1	1	
E-18-10	43	HZW1-90013-000	BOLT-WASHER, 6X25	2	2	
E-18-10	44	HZY3-90021-000	BOLT, FLANGE, 6X14	2	2	
E-18-10	45	HPD6-90430-003	WASHER, SEALING, 6MM	1	1	
E-18-10	46	HZV4-90603-000	CLIP, TUBE(B10)	2	2	
E-18-10	47	HMJ0-91301-003	O-RING, 7.8X1.9(ARAI)	2	2	
E-18-10	48	HZV5-91553-010	COLLAR, C.D.I. UNIT CASE	2	2	

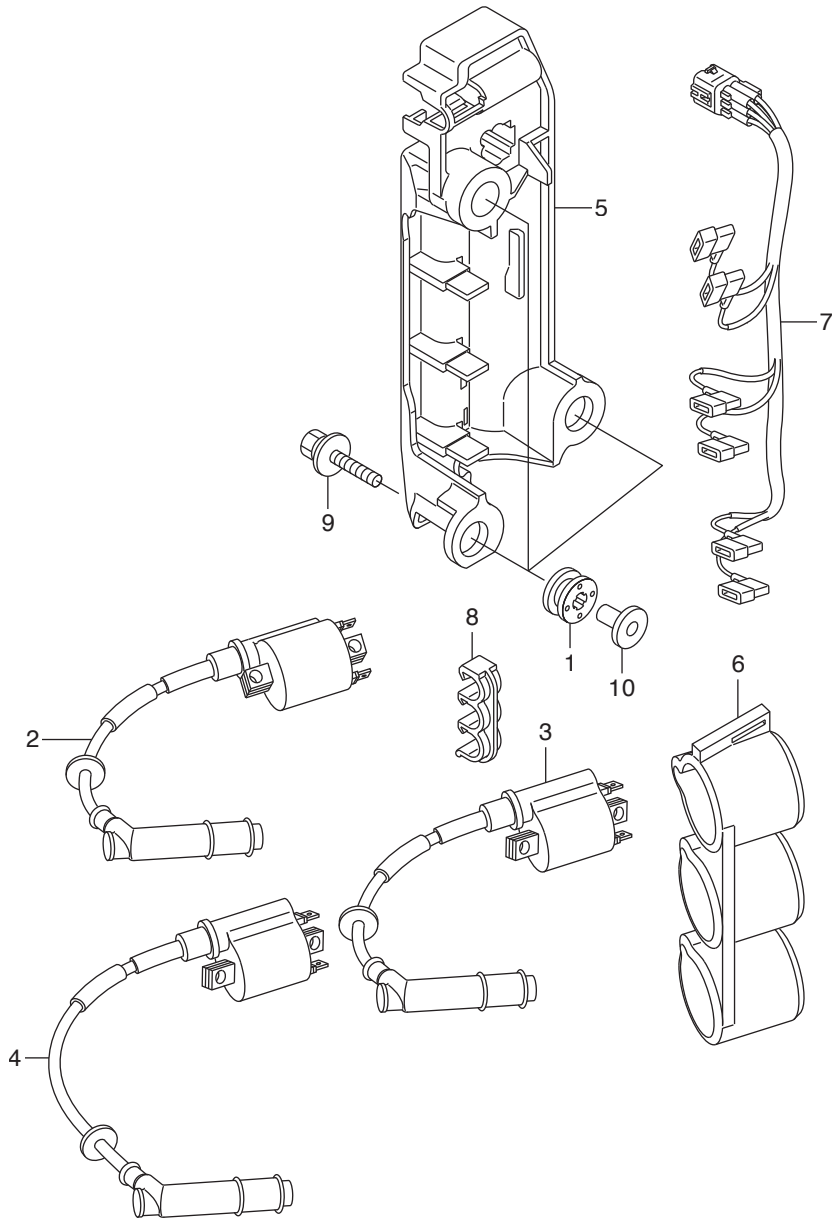
FR. 



Ref.No.	Part No.	Description	Q' ty		Remarks
			BFT60A	BFW60A	
E-19	1	HZZ3-31630-003	GENERATOR ASSY., A.C.	1	
E-19		HZZ3-31630-A01	GENERATOR ASSY., A.C.		1
E-19	2	HZZ3-31631-003	ROTOR	1	1
E-19	3	HZZ3-31632-003	STATOR	1	
E-19		HZZ3-31632-A01	STATOR		1
E-19	4	HZZ3-31636-000	BRACKET, A.C. GENERATOR	1	1
E-19	5	HPNB-37500-003	SENSOR ASSY., CRANK	1	1
E-19	6	HZW9-90016-000	BOLT, FLANGE, 6X25	2	2
E-19	7	HZY3-90016-000	BOLT, FLANGE, 6X28	3	3
E-19	8	HRWC-90017-A01	BOLT-WASHER, 16X49	1	1
E-19	9	HZY3-90017-000	BOLT, FLANGE, 6X16	1	1
E-19	10	HZY6-90023-000	BOLT, SPECIAL, 6X31	2	2
E-19	11	HPNA-91333-003	O-RING, 15X1.9	1	1
E-19	12	HS0A-91540-003	CLIP, HARNESS BAND(NATURAL)	1	1 (96.9MM)

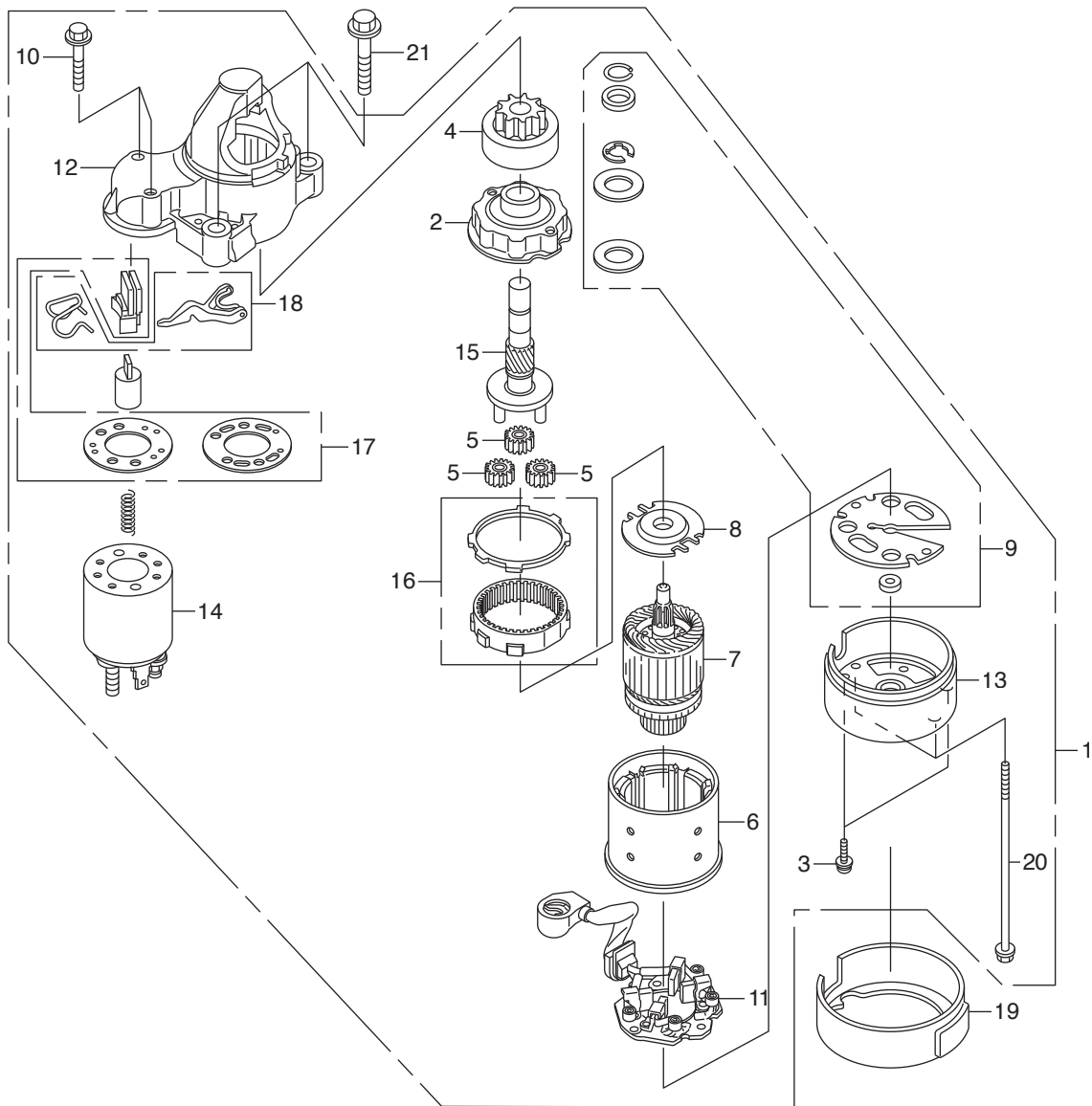


FR. 

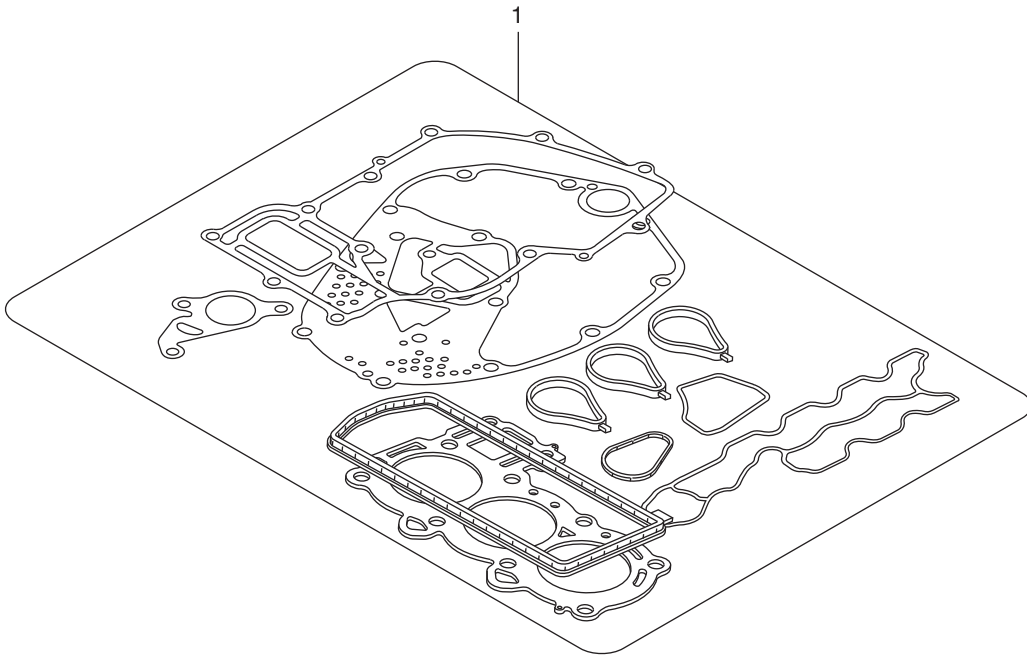


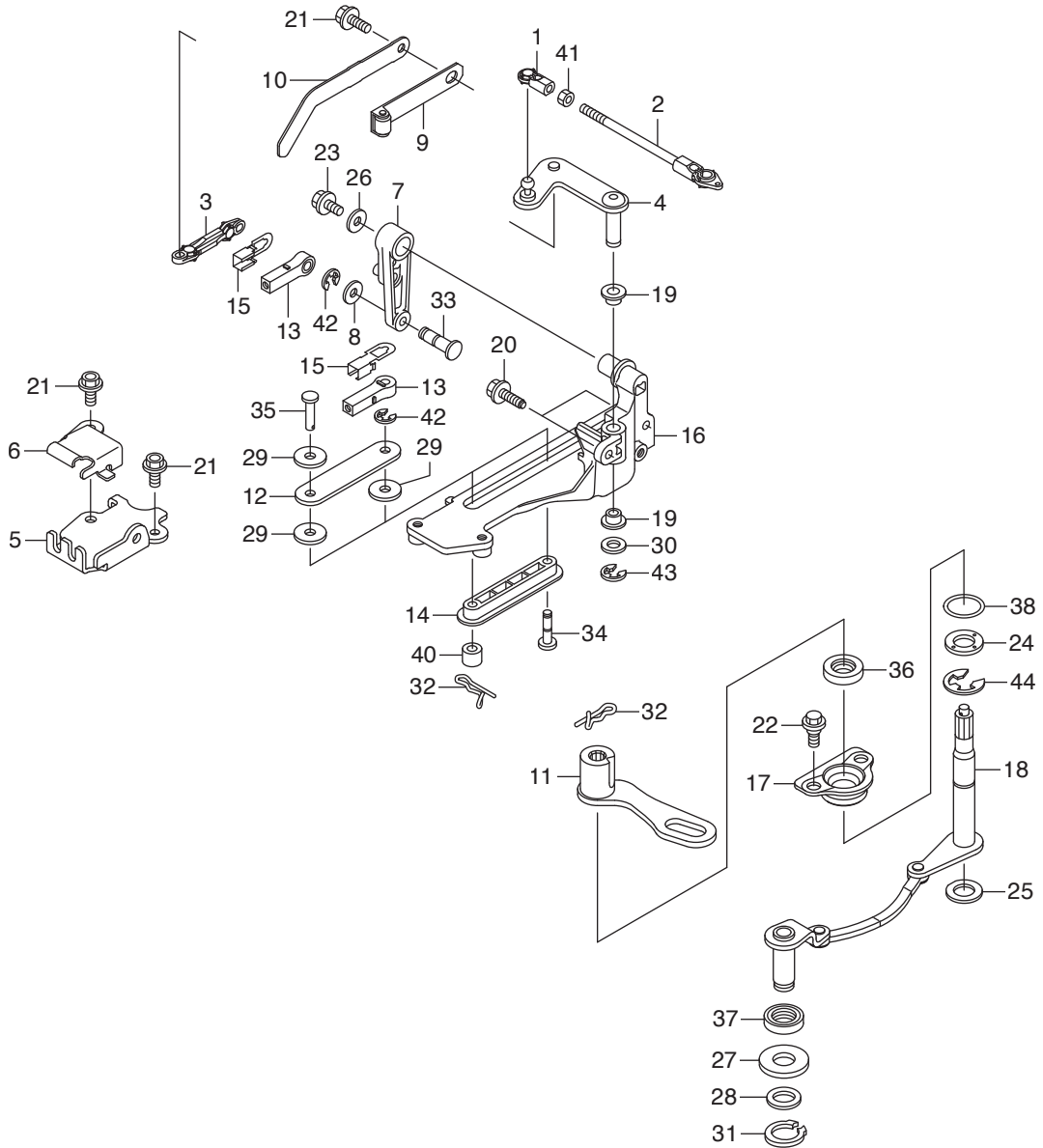
Ref.No.	Part No.	Description	Q'ty		Remarks	
			BFT60A	BFW60A		
E-20-10	1	HZY9-30419-003	GROMMET, ELECTRONIC PARTS CASE	3	3	
E-20-10	2	HZZ3-30511-003	COIL COMP., IGNITION(1)	1	1	
E-20-10	3	HZZ3-30512-003	COIL COMP., IGNITION(2)	1	1	
E-20-10	4	HZZ3-30513-003	COIL COMP., IGNITION(3)	1	1	
E-20-10	5	HZZ3-30515-000	CASE, IGNITION COIL	1	1	
E-20-10	6	HZZ3-30516-000	SUSPENSION, IGNITION COIL	1	1	
E-20-10	7	HZZ3-30517-010	CORD ASSY., IGNITION COIL	1	1	
E-20-10	8	HZZ3-32766-003	CLAMP, HIGH TENSION CORD	1	1	
E-20-10	9	HZW2-90003-000	BOLT-WASHER, 6X27(CT200)	3	3	
E-20-10	10	HZV5-91553-010	COLLAR, C.D.I. UNIT CASE	3	3	

FR. 



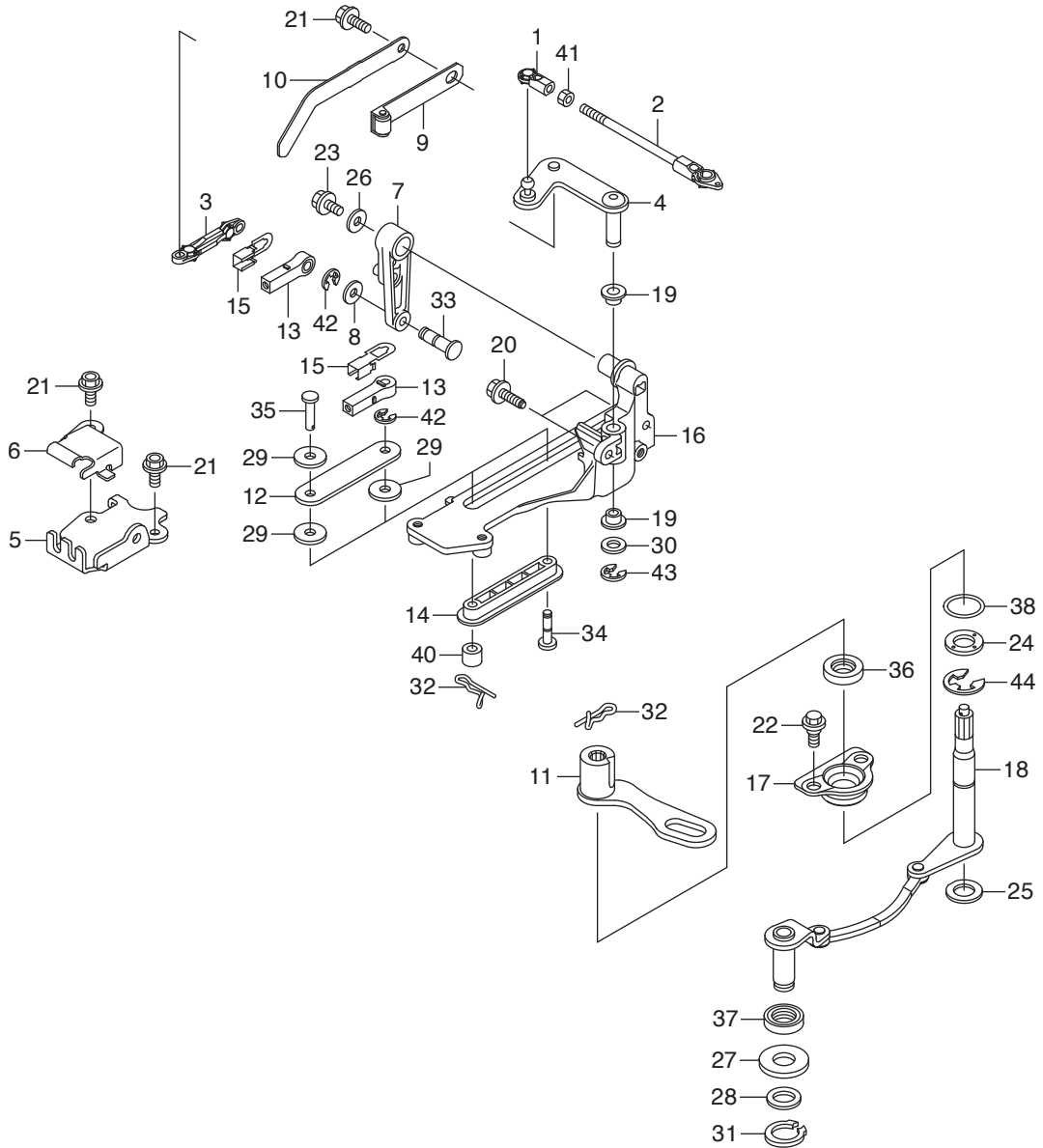
Ref.No.	Part No.	Description	Q'ty		Remarks	
			BFT60A	BFW60A		
E-21	1	HZZ3-31200-003	MOTOR ASSY., STARTER	1	1	
E-21	2	HZZ3-31212-003	BRACKET ASSY., CENTER	1	1	
E-21	3	HZZ3-31213-003	SCREW,(M4X16)	2	2	
E-21	4	HZZ3-31214-003	PINION ASSY.	1	1	
E-21	5	HZZ3-31215-003	GEAR, PLANET	3	3	
E-21	6	HZZ3-31216-003	YOKE ASSY.	1	1	
E-21	7	HZZ3-31217-003	ARMATURE ASSY.	1	1	
E-21	8	HZZ3-31224-003	BRACKET, CENTER	1	1	
E-21	9	HZZ3-31225-003	STOPPER SET, WASHER	1	1	
E-21	10	HZZ3-31226-003	BOLT(M6X37)	2	2	
E-21	11	HZZ3-31231-003	HOLDER ASSY., BRUSH	1	1	
E-21	12	HZZ3-31235-003	CASE ASSY., GEAR	1	1	
E-21	13	HZZ3-31236-003	COVER ASSY., RR.	1	1	
E-21	14	HZZ3-31240-003	SWITCH ASSY., MAGNETIC	1	1	
E-21	15	HZZ3-31246-003	SHAFT, PINION	1	1	
E-21	16	HZZ3-31247-003	GEAR ASSY., INTERNAL	1	1	
E-21	17	HZZ3-31249-003	COVER KIT, DUST	1	1	
E-21	18	HZZ3-31250-003	LEVER SET, SHIFT	1	1	
E-21	19	HZZ3-31258-000	SUSPENSION, STARTER	1	1	
E-21	20	HZZ3-31261-003	BOLT, THROUGH	2	2	
E-21	21	HZW4-90126-000	BOLT, FLANGE, 8X45	2	2	





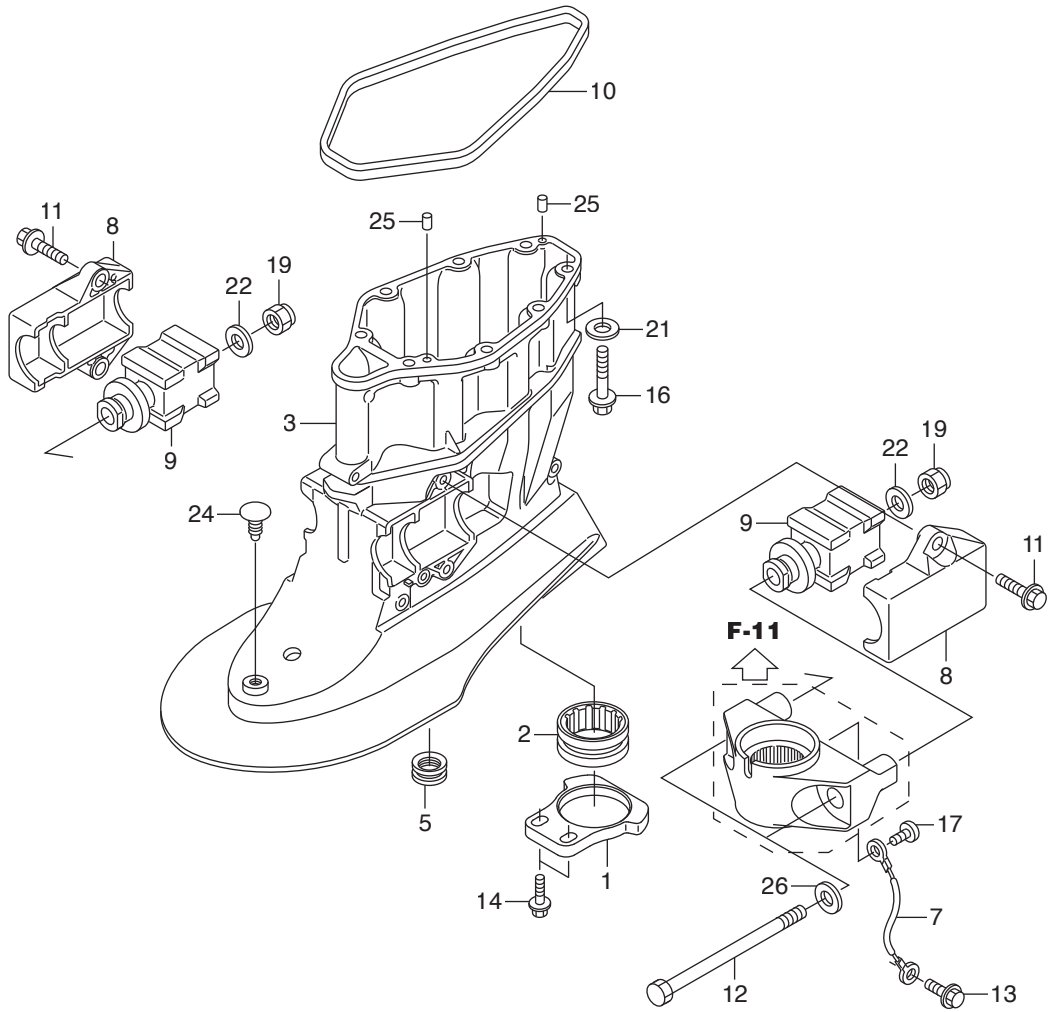
FR.

Ref.No.	Part No.	Description	Q' ty		Remarks	
			BFT60A	BFW60A		
F-2	1	HZV5-17838-000	LINKAGE, PIVOT	1	1	
F-2	2	HZZ3-17840-000	ROD COMP., THROTTLE	1	1	
F-2	3	HZY6-17845-000	LINK, THROTTLE	1	1	
F-2	4	HZZ3-17860-000	PLATE COMP., THROTTLE	1	1	
F-2	5	HZY9-17877-000	PLATE, REMOTE CONTROL CABLE	1	1	
F-2	6	HZY9-17878-000	COVER, REMOTE CONTROL CABLE	1	1	
F-2	7	HZY6-17931-000	ARM, THROTTLE	1	1	
F-2	8	H921-17936-000	WASHER, PIVOT	1	1	
F-2	9	HZW1-24210-010	SPRING COMP., CLICK	1	1	
F-2	10	HZY9-24221-000	SPRING, CLICK ASSIST	1	1	
F-2	11	HZY9-24612-000	ARM, SHIFT	1	1	
F-2	12	HZY9-24614-000	PLATE, SHIFT PIVOT	1	1	
F-2	13	HZY3-24618-000	PIVOT, SHIFT	2	2	
F-2	14	HZY9-24618-000	PIVOT, SHIFT SLIDE	1	1	
F-2	15	HZY3-24619-000	PLATE, LOCK	2	2	
F-2	16	HZY9-24628-000	BRACKET, SHIFT LINK	1	1	
F-2	17	HZW1-24629-000	HOLDER, SEAL	1	1	
F-2	18	HZZ3-24630-000	SHAFT COMP., SHIFT	1	1	
F-2	19	HZY3-63205-000	BUSH A, COVER LOCK	2	2	
F-2	20	HZV0-90017-C10	BOLT, FLANGE, 6X18(CT200)	2	2	
F-2	21	HZY3-90017-000	BOLT, FLANGE, 6X16	3	3	
F-2	22	HZW5-90023-000	BOLT, FLANGE, 6X11	2	2	
F-2	23	HZY3-90056-000	BOLT, FLANGE, 6X12	1	1	
F-2	24	HGET-90429-000	WASHER, SIDE, 14MM	1	1	
F-2	25	HZW5-90501-000	WASHER, SHIFT SHAFT	1	1	
F-2	26	HZY3-90508-000	WASHER, PLAIN, 6MM	1	1	
F-2	27	HZY9-90508-000	WASHER, 14MM	1	1	
F-2	28	HZY9-90509-000	WASHER, 13MM	1	1	
F-2	29	HZW9-90517-000	WASHER, NYLON, 8MM	3	3	



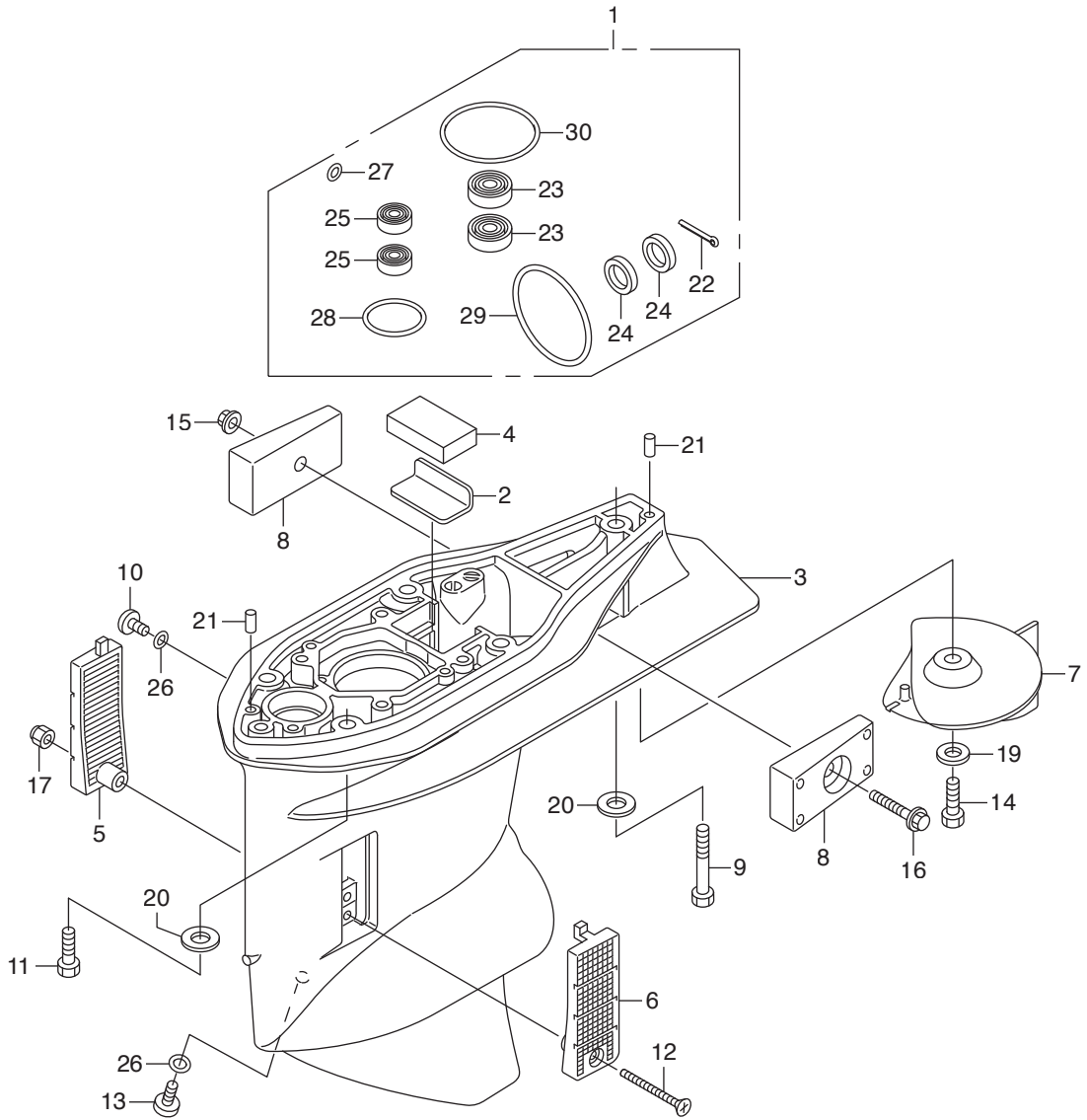
FR.

Ref.No.	Part No.	Description	Q' ty		Remarks	
			BFT60A	BFW60A		
F-2	30	H921-90518-000	WASHER, PLAIN, 8MM	1	1	
F-2	31	HZY9-90651-000	CIRCLIP, EXTERNAL, 12	1	1	
F-2	32	HSD2-90705-931	PIN, SNAP, 6MM	2	2	
F-2	33	HZY3-90751-000	PIN, LINK	1	1	
F-2	34	HZZ3-90752-000	PIN, SHIFT LINK	1	1	
F-2	35	HZZ3-90753-000	PIN, LINK	1	1	
F-2	36	HZW5-91251-003	OIL SEAL, 14X26X6	1	1	
F-2	37	HZY3-91255-003	SEAL, WATER(14X26X8)	1	1	
F-2	38	HPF0-91302-003	O-RING, 26.9X2.4(NOK)	1	1	
F-2	40	HZZ3-91552-000	COLLAR, 6MM	1	1	
F-2	41	HCO-94001-05490-0S	NUT, HEX., 5MM	1	1	
F-2	42	HCO-94540-04029	E-RING, 4MM	2	2	
F-2	43	HCO-94540-06029	E-RING, 6MM	1	1	
F-2	44	HCO-94540-12029	E-RING, 12MM	1	1	



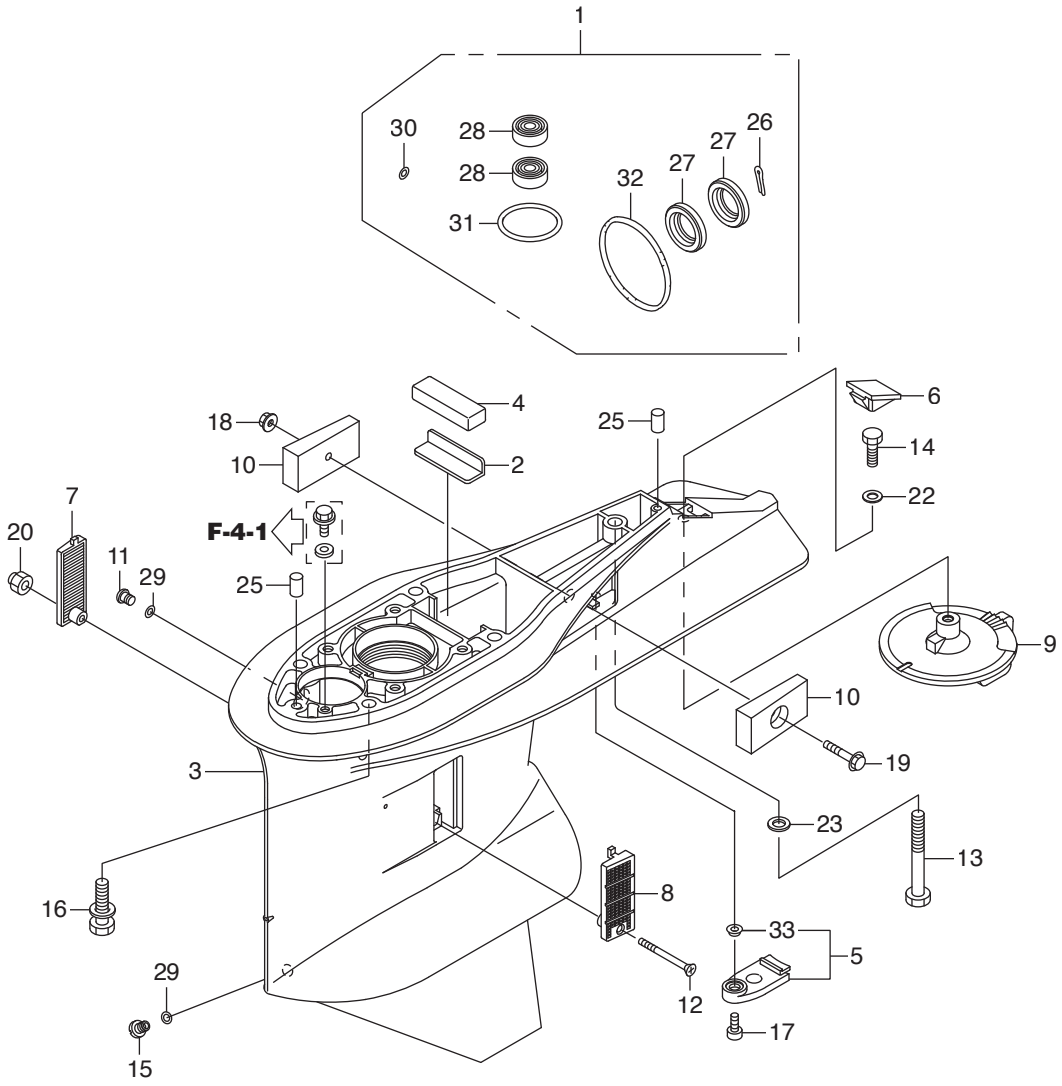
FR.

Ref.No.	Part No.	Description	Q'ty		Remarks	
			BFT60A	BFW60A		
F-3	1	HZZ3-18334-000	HOLDER, EX. PIPE GROMMET	1	1	
F-3	2	HZZ3-18337-000	GROMMET, EX. PIPE	1	1	
F-3	3	HZZ3-40201-000ZD	CASE, EXTENSION	1	1	*T107* BAY BLUE
F-3	5	HZV5-40204-000	GROMMET, EXTENSION CASE	1	1	
F-3	7	HZY3-40219-013	WIRE, LEAD(1.5X116MM)	1	1	
F-3	8	HZZ3-50111-000	HOUSING, LOWER MOUNTING	2	2	
F-3	9	HZZ3-50155-000	MOUNT COMP., LOWER RUBBER	2	2	
F-3	10	HZZ3-63719-000	SEAL B, COVER UNDER	1	1	
F-3	11	HHW1-90101-671	BOLT, FLANGE, 8X25	4	4	
F-3	12	HZY9-90102-000	BOLT, HEX., 12X186	2	2	
F-3	13	HZW9-90103-010	BOLT, FLANGE, 6X12	1	1	
F-3	14	HZW9-90105-000	BOLT, FLANGE, 6X20	2	2	
F-3	16	HHW1-90114-671	BOLT, FLANGE, 8X35	8	8	
F-3	17	HZV5-90119-000	SCREW, PAN, 6X8	1	1	
F-3	19	HZV5-90308-003	NUT, SELF-LOCK, 12MM	2	2	
F-3	21	HZV4-90507-000	WASHER, PLAIN, 8MM	8	8	
F-3	22	HZV5-90552-000	WASHER, PLAIN, 12MM	2	2	
F-3	24	HZZ3-90651-003	CLIP, 7MM	1	1	
F-3	25	HZV5-90756-000	DOWEL PIN, 6X10	2	2	
F-3	26	HZW1-90559-000	WASHER, PLAIN, 12MM	2	2	



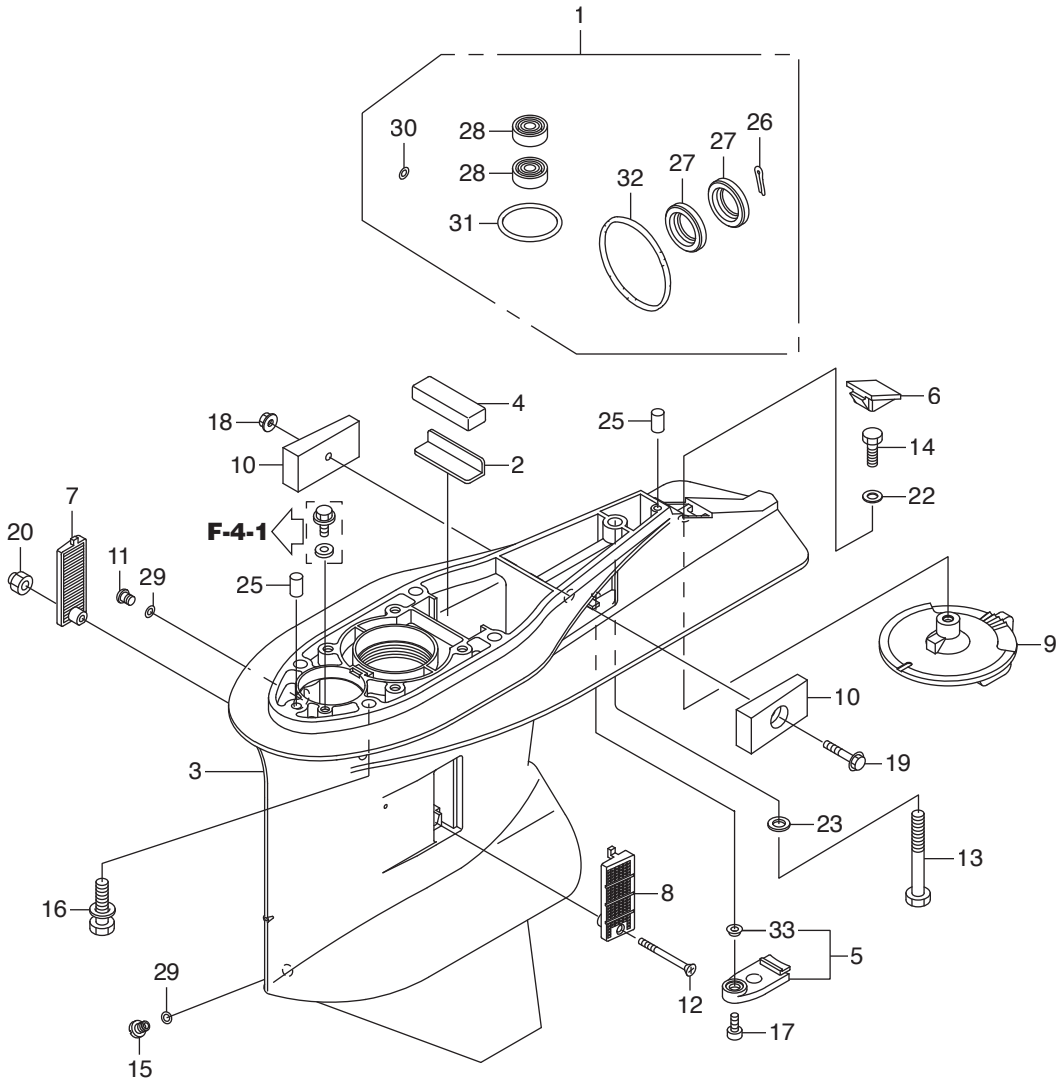
FR.

Ref.No.	Part No.	Description	Q' ty		Remarks
			BFT60A	BFW60A	
F-3-10	1	HZZ3-06125-000	CASE KIT, GEAR	1	
F-3-10	2	HZZ3-19286-000	PLATE, RUBBER SETTING	1	
F-3-10	3	HZZ3-41101-000ZD	CASE, GEAR	1	*T107* BAY BLUE
F-3-10	4	HZZ3-41102-000	GROMMET, GEAR CASE	1	
F-3-10	5	HZZ3-41104-010	SCREEN, R. WATER	1	
F-3-10	6	HZZ3-41105-010	SCREEN, L. WATER	1	
F-3-10	7	HZZ5-41107-000ZD	TAB, TRIM	1	*T107* BAY BLUE
F-3-10	8	HZW1-41109-B00	METAL COMP., ANODE	2	
F-3-10	9	HZY3-90015-000	BOLT, HEX., 10X60	1	
F-3-10	10	HZW9-90101-003	BOLT, OIL CHECK	1	
F-3-10	11	HZY3-90103-000	BOLT, HEX., 10X32	4	
F-3-10	12	HZZ3-90103-000	SCREW, FLAT, 5X37	1	
F-3-10	13	HZY3-90120-000	BOLT, DRAIN PLUG	1	
F-3-10	14	HZV5-90126-000	BOLT, HEX., 8X20	1	
F-3-10	15	HZY1-90205-000	NUT, SELF-LOCK, 6MM	1	
F-3-10	16	HHW1-90206-671	BOLT, FLANGE, 6X30	1	
F-3-10	17	HZV4-90302-000	NUT, SELF-LOCK, 5MM	1	
F-3-10	19	HZV4-90507-000	WASHER, PLAIN, 8MM	1	
F-3-10	20	HZV5-90563-000	WASHER, PLAIN, 10MM	5	
F-3-10	21	HZV5-90756-000	DOWEL PIN, 6X10	2	
F-3-10	22	HZV5-90758-000	PIN, SPLIT, 4.0	1	
F-3-10	23	HZZ3-91251-003	SEAL, WATER, 17X36X6	2	
F-3-10	24	HZW4-91252-003	SEAL, WATER, 22X35X7	2	
F-3-10	25	HZY3-91254-003	SEAL, WATER, 12X21X6	2	
F-3-10	26	HZW4-91301-003	O-RING, 6.9X1.45	2	
F-3-10	27	HZW4-91301-003	O-RING, 6.9X1.45	2	
F-3-10	28	HZZ3-91351-000	O-RING, 33.7X3.5	1	
F-3-10	29	HZZ3-91352-000	O-RING, 76.5X3	1	
F-3-10	30	HMB0-91359-000	O-RING, 58.5X3.5	1	

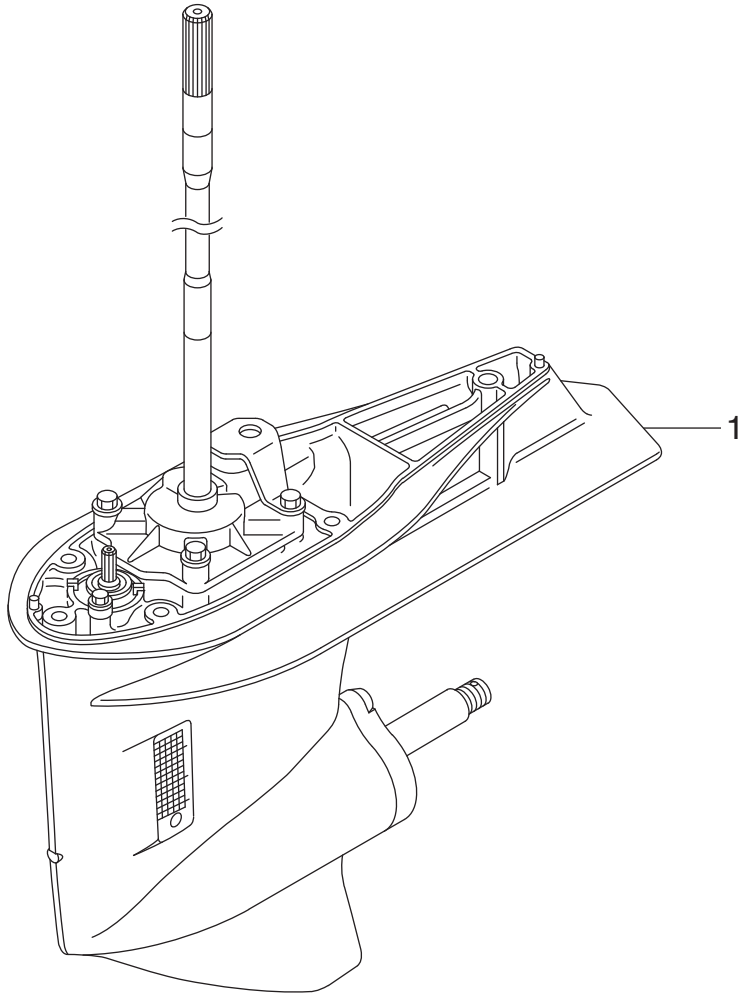


FR.

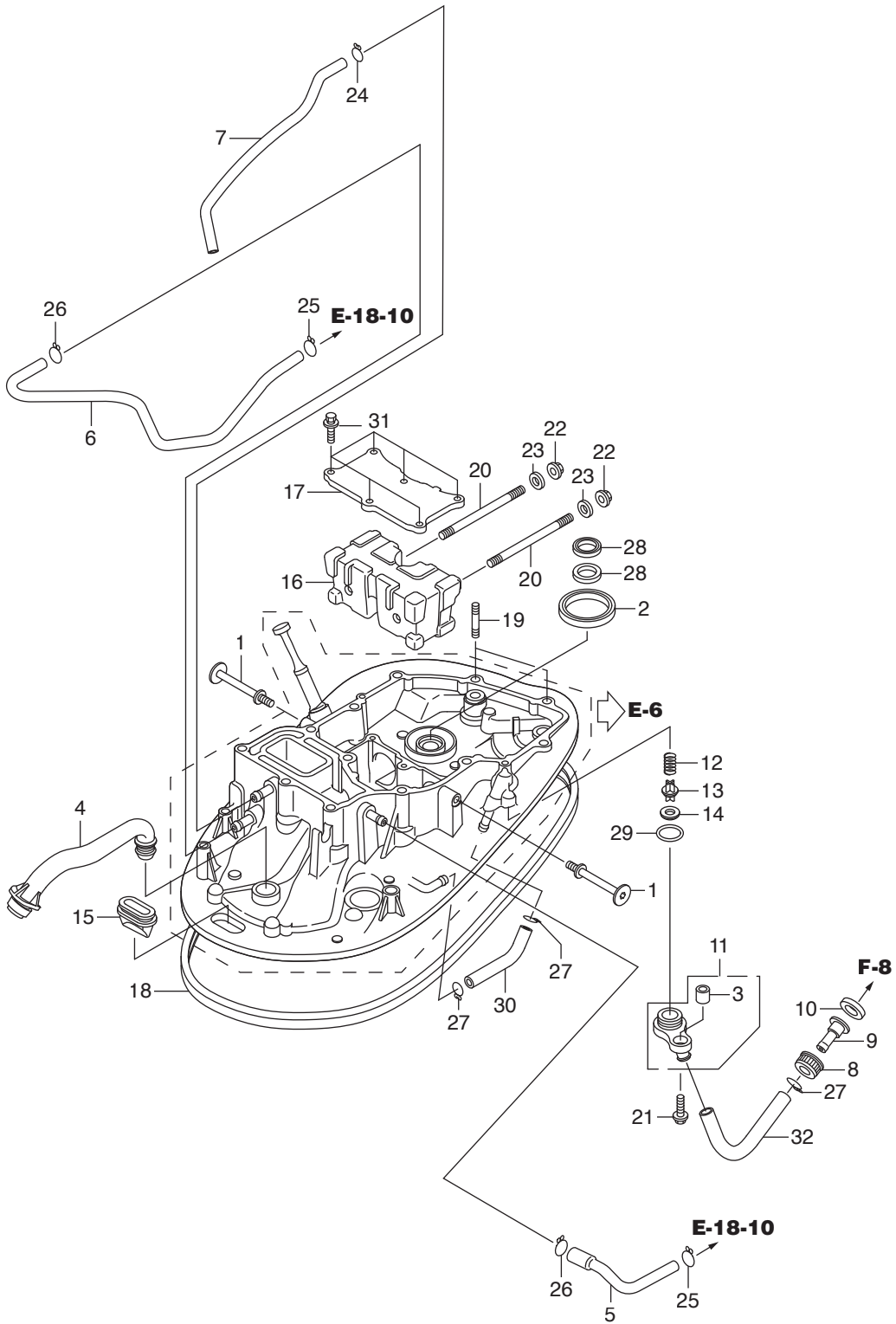
Ref.No.	Part No.	Description	Q' ty		Remarks
			BFT60A	BFW60A	
F-3-11	1	HZZ3-06125-E00		1	
F-3-11	2	HZW1-19286-B00		1	
F-3-11	3	HZZ0-41101-000ZD		1	*T107* BAY BLUE
F-3-11	4	HZW1-41102-B00		1	
F-3-11	5	HZZ0-41102-000		1	
F-3-11	6	HZZ0-41103-000		1	
F-3-11	7	HZZ0-41104-010		1	
F-3-11	8	HZZ0-41105-010		1	
F-3-11	9	HZZ0-41107-000ZD		1	*T107* BAY BLUE
F-3-11	10	HZW1-41109-B00		2	
F-3-11	11	HZW9-90101-003		1	
F-3-11	12	HZZ0-90101-000		1	
F-3-11	13	HZW1-90104-900		1	
F-3-11	14	HZV5-90115-000		1	
F-3-11	15	HZY3-90120-000		1	
F-3-11	16	HZY6-90123-000		4	
F-3-11	17	HZY3-90133-000		1	
F-3-11	18	HZY1-90205-000		1	
F-3-11	19	HHW1-90225-670		1	
F-3-11	20	HZV4-90302-000		1	
F-3-11	22	HZV4-90507-000		1	
F-3-11	23	HZV5-90563-000		1	
F-3-11	25	HZV5-90756-000		2	
F-3-11	26	HZW1-90758-B00		1	
F-3-11	27	HZZ3-91252-003		2	
F-3-11	28	HZY3-91254-003		2	
F-3-11	29	HZW4-91301-003		2	
F-3-11	30	HZW4-91301-003		2	
F-3-11	31	HMJ0-91308-003		1	



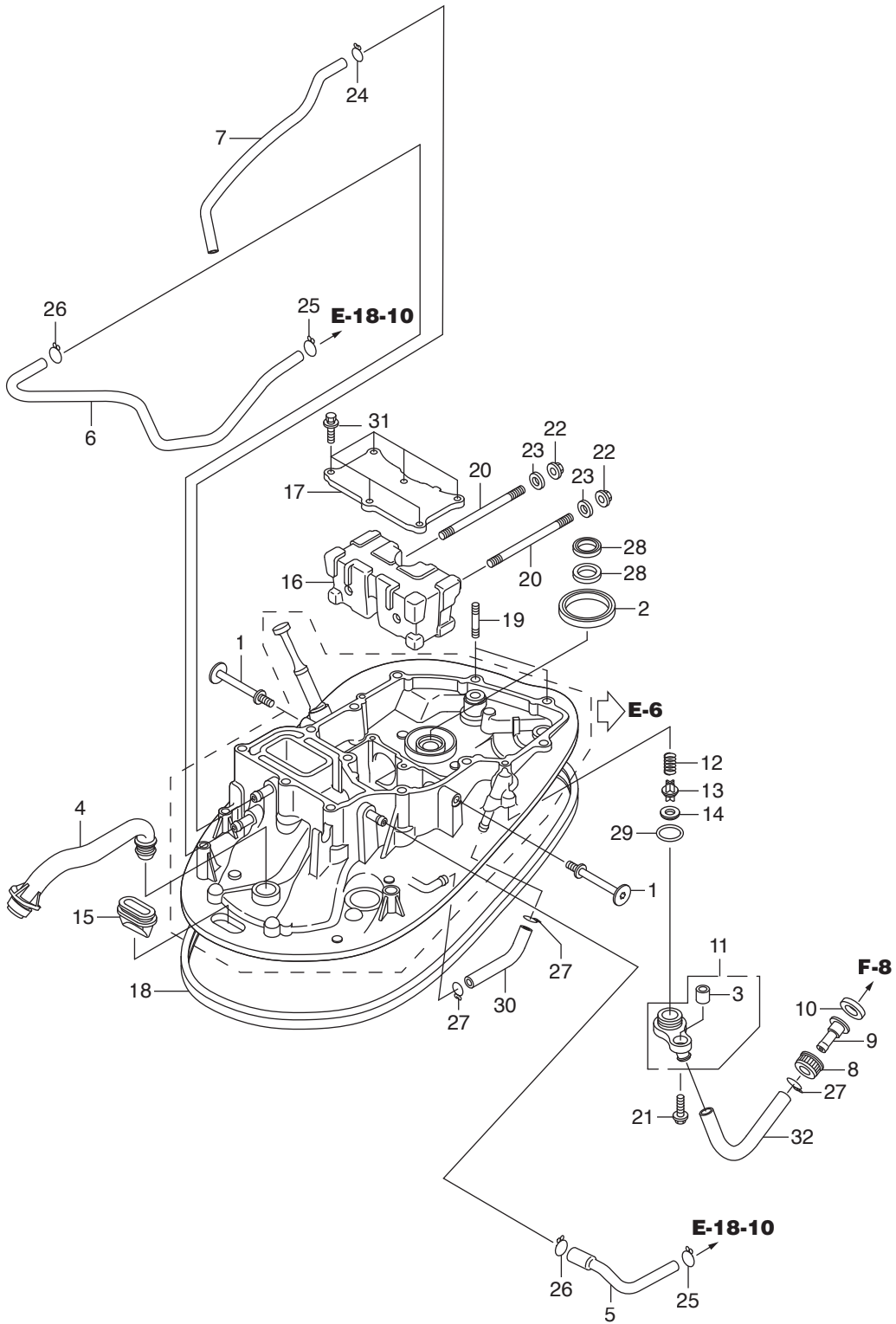
FR.

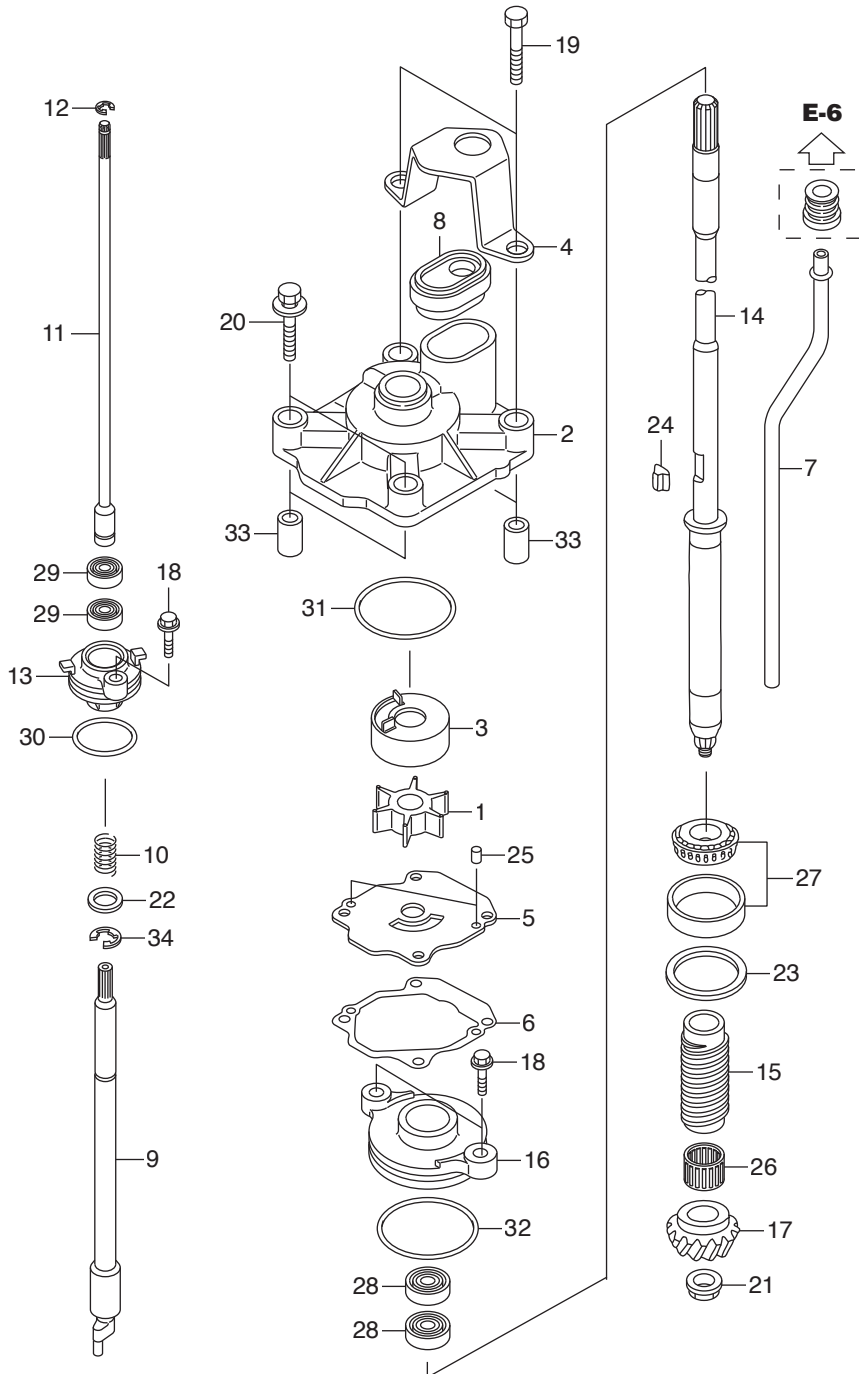


FR.

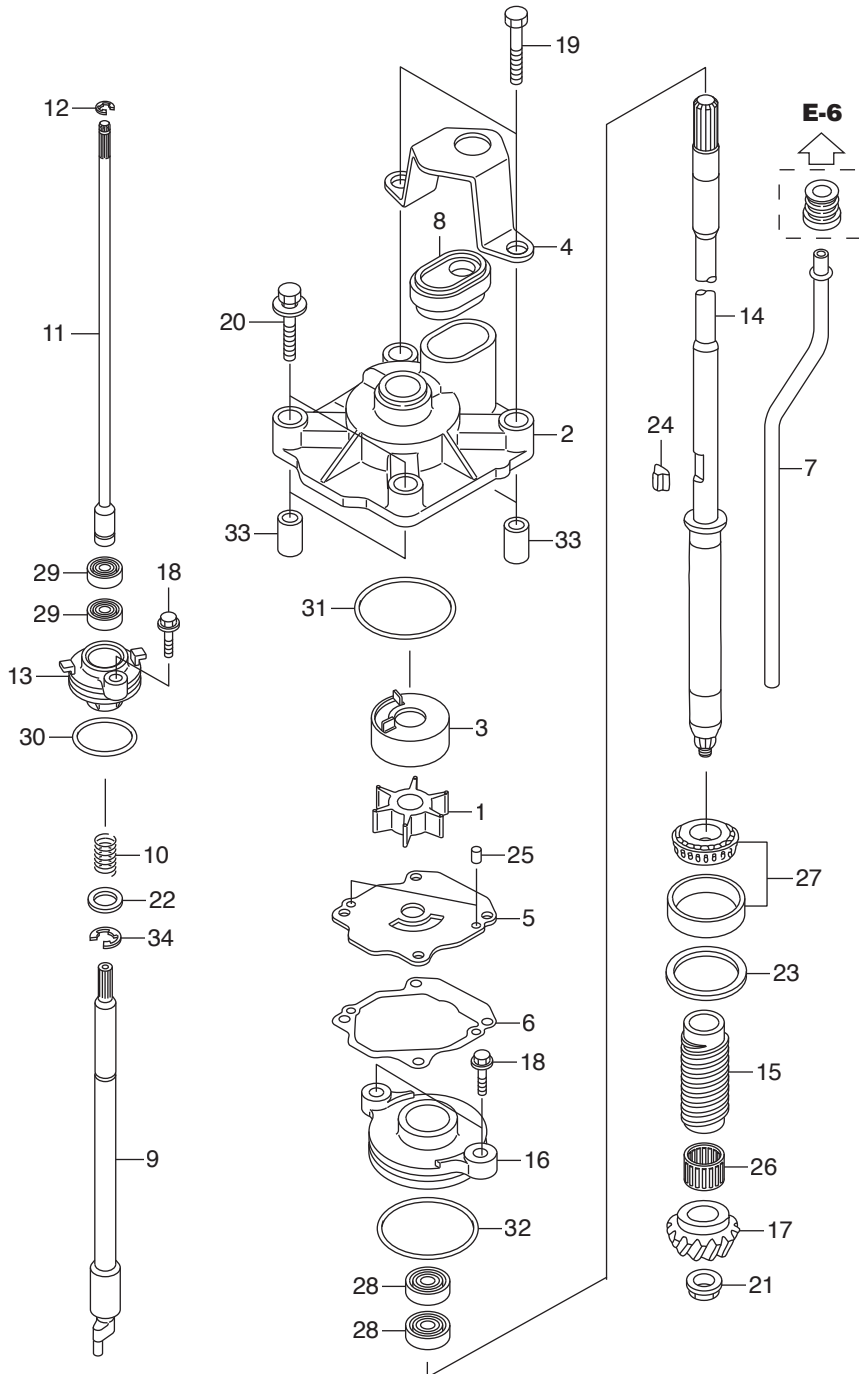


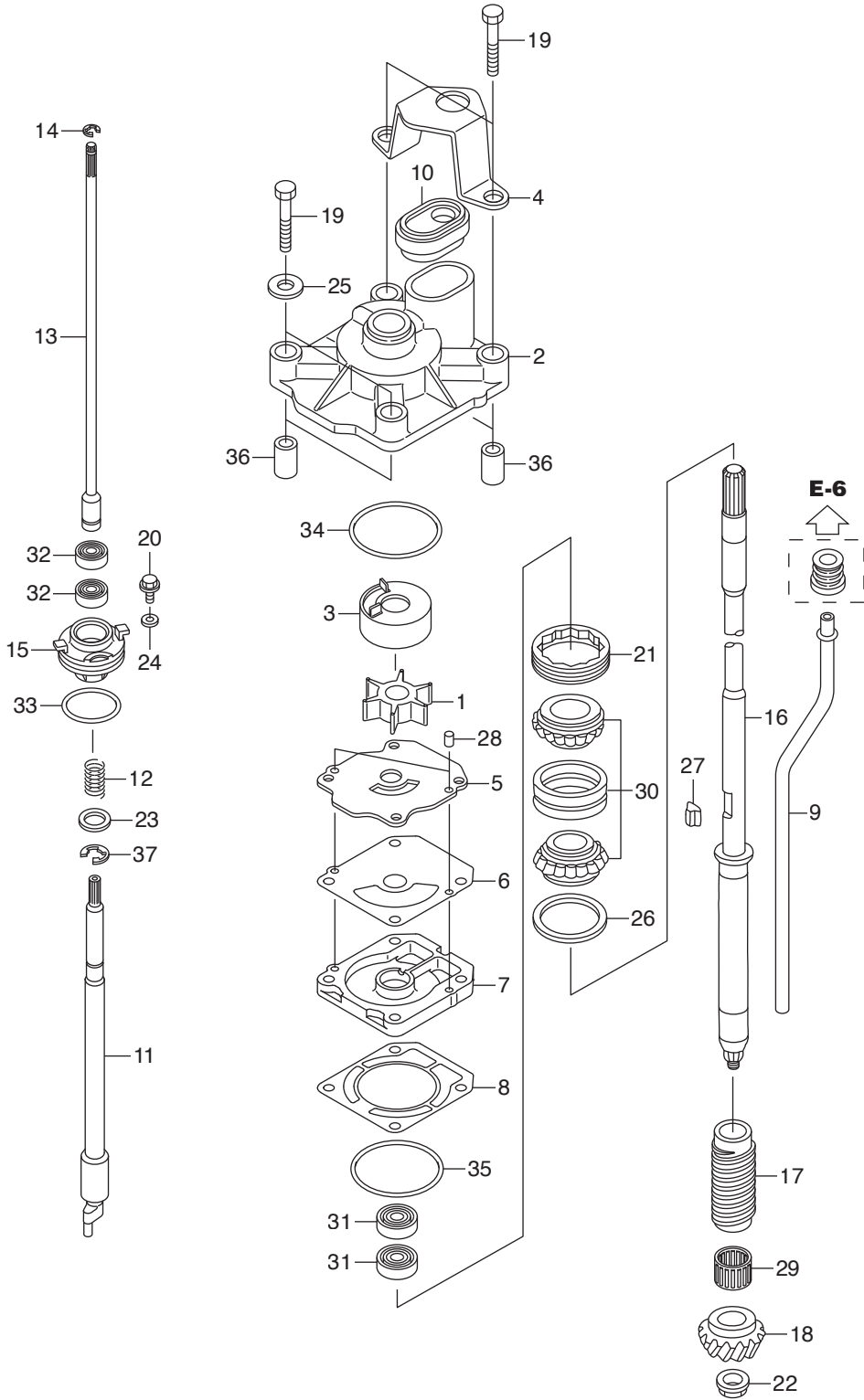
Ref.No.	Part No.	Description	Q' ty		Remarks	
			BFT60A	BFW60A		
F-3-30	1	HZZ3-12166-000	STOPPER, ENGINE SIDE	2	2	
F-3-30	2	HZY3-15113-000	RUBBER, OIL PUMP	1	1	
F-3-30	3	HZV5-17202-310	COLLAR, DISTANCE, 6.5X11X7.5	1	1	
F-3-30	4	HZZ3-18211-000	PORT, IDLE EXHAUST	1	1	
F-3-30	5	HZZ3-19255-000	TUBE A, WATER	1	1	
F-3-30	6	HZZ3-19256-000	TUBE B, WATER	1	1	
F-3-30	7	HZZ3-19257-000	TUBE C, WATER	1	1	
F-3-30	8	HZY3-19270-000	NUT, WATER MOUTH	1	1	
F-3-30	9	HZY3-19271-000	JOINT, WATER HOSE	1	1	
F-3-30	10	HZY3-19272-000	SEAT, WATER MOUTH	1	1	
F-3-30	11	HZZ3-19277-000	COVER, FLUSH VALVE	1	1	
F-3-30	12	HZW9-19279-000	SPRING, FLUSH VALVE	1	1	
F-3-30	13	HZW9-19291-000	VALVE, FLASH	1	1	
F-3-30	14	HZW9-19297-000	PACKING, FLASH VALVE	1	1	
F-3-30	15	HZY3-23173-010	RUBBER, MOUNT CASE SEAL	1	1	
F-3-30	16	HZZ3-50151-000	MOUNT COMP., UPPER RUBBER	1	1	
F-3-30	17	HZZ3-50166-000	COVER, UPPER MOUNT	1	1	
F-3-30	18	HZZ3-63718-000	SEAL A, COVER UNDER	1	1	
F-3-30	19	HZY6-90043-000	BOLT, STUD 2, 8X25	2	2	
F-3-30	20	HZZ3-90101-000	BOLT, STUD, 10X125	2	2	
F-3-30	21	HZW9-90105-000	BOLT, FLANGE, 6X20	1	1	
F-3-30	22	HZW4-90306-003	NUT, FLANGE, 10MM	2	2	
F-3-30	23	HZW4-90501-000	WASHER, PLAIN, 10MM	2	2	
F-3-30	24	HZV4-90603-000	CLIP, TUBE(B10)	1	1	
F-3-30	25	HZV0-90604-000	CLIP, TUBE(B12)	2	2	
F-3-30	26	HZV4-90605-000	CLIP, TUBE(B12.5)	2	2	
F-3-30	27	HZY6-90651-000	CLIP B1, TUBE	3	3	
F-3-30	28	HZW2-91251-F01	SEAL, WATER, 17X26X7	2	2	
F-3-30	29	H800-91303-000	O-RING, 16MM	1	1	



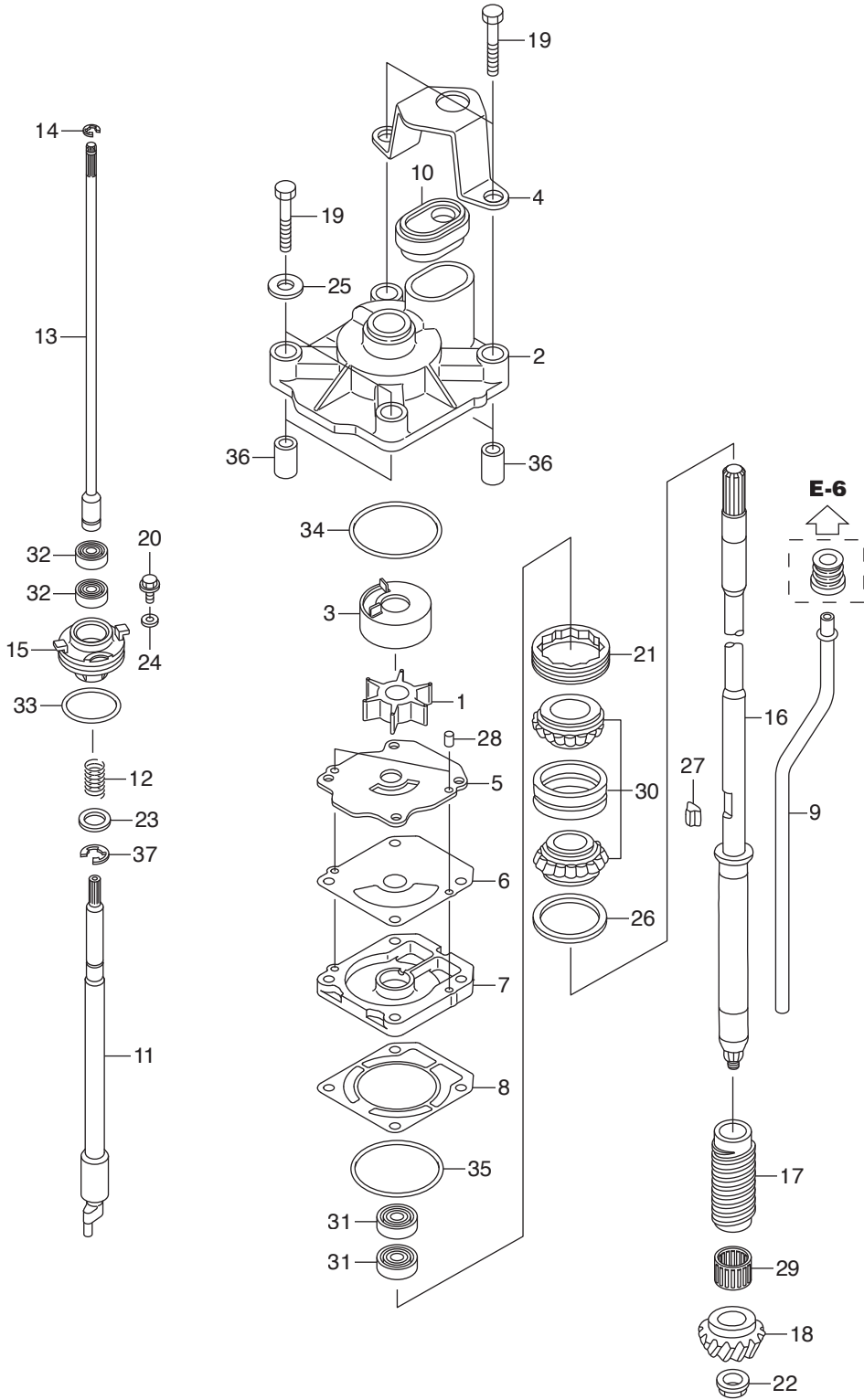


Ref.No.	Part No.	Description	Q'ty		Remarks
			BFT60A	BFW60A	
F-4	1	HZV5-19210-003	IMPELLER, PUMP	1	
F-4	2	HZZ3-19221-000	HOUSING, IMPELLER	1	
F-4	3	HZZ3-19223-000	LINER, PUMP	1	
F-4	4	HZZ3-19228-000	HOLDER, WATER TUBE SEAL	1	
F-4	5	HZZ3-19231-000	COVER, IMPELLER	1	
F-4	6	HZZ3-19234-000	GASKET, IMPELLER	1	
F-4	7	HZZ3-19251-000	TUBE, WATER(L)	1	
F-4	8	HZZ3-19253-000	RUBBER, WATER TUBE SEAL	1	
F-4	9	HZZ3-24310-000	ROD COMP., SHIFT	1	
F-4	10	HZY3-24318-000	SPRING, SHIFT ROD	1	
F-4	11	HZW1-24320-B00	ROD A COMP., SHIFT(L)	1	
F-4	12	HZW1-24327-000	RING, STOPPER	1	
F-4	13	HZZ3-24343-000	HOLDER, SHIFT ROD	1	
F-4	14	HZZ3-41112-000	SHAFT, VERTICAL(L)	1	
F-4	15	HZV5-41116-000	SLINGER, OIL	1	
F-4	16	HZZ3-41117-000	HOUSING, WATER SEAL	1	
F-4	17	HZZ3-41131-000	GEAR, PINION(14T)	1	
F-4	18	HZW9-90105-000	BOLT, FLANGE, 6X20	3	
F-4	19	H881-90116-000	BOLT, HEX., 8X40	2	
F-4	20	HZY6-90116-000	BOLT-WASHER, 8X40	2	
F-4	21	HZV5-90303-000	NUT, SPECIAL(12MM)	1	
F-4	22	H723-90472-000	WASHER, PLAIN, 12MM	1	
F-4	23	HZV5-90518-000	SHIM, GEAR(A)(40X46X0.10)	1	
F-4		HZV5-90519-000	SHIM, GEAR(B)(40X46X0.15)	1	
F-4		HZV5-90520-000	SHIM, GEAR(C)(40X46X0.30)	1	
F-4		HZV5-90521-000	SHIM, GEAR(D)(40X46X0.50)	1	
F-4	24	HZV5-90752-003	KEY, WOODRUFF	1	
F-4	25	HZV5-90756-000	DOWEL PIN, 6X10	2	
F-4	26	HZZ3-91052-003	BEARING, NEEDLE, 7/8X11/8X1	1	

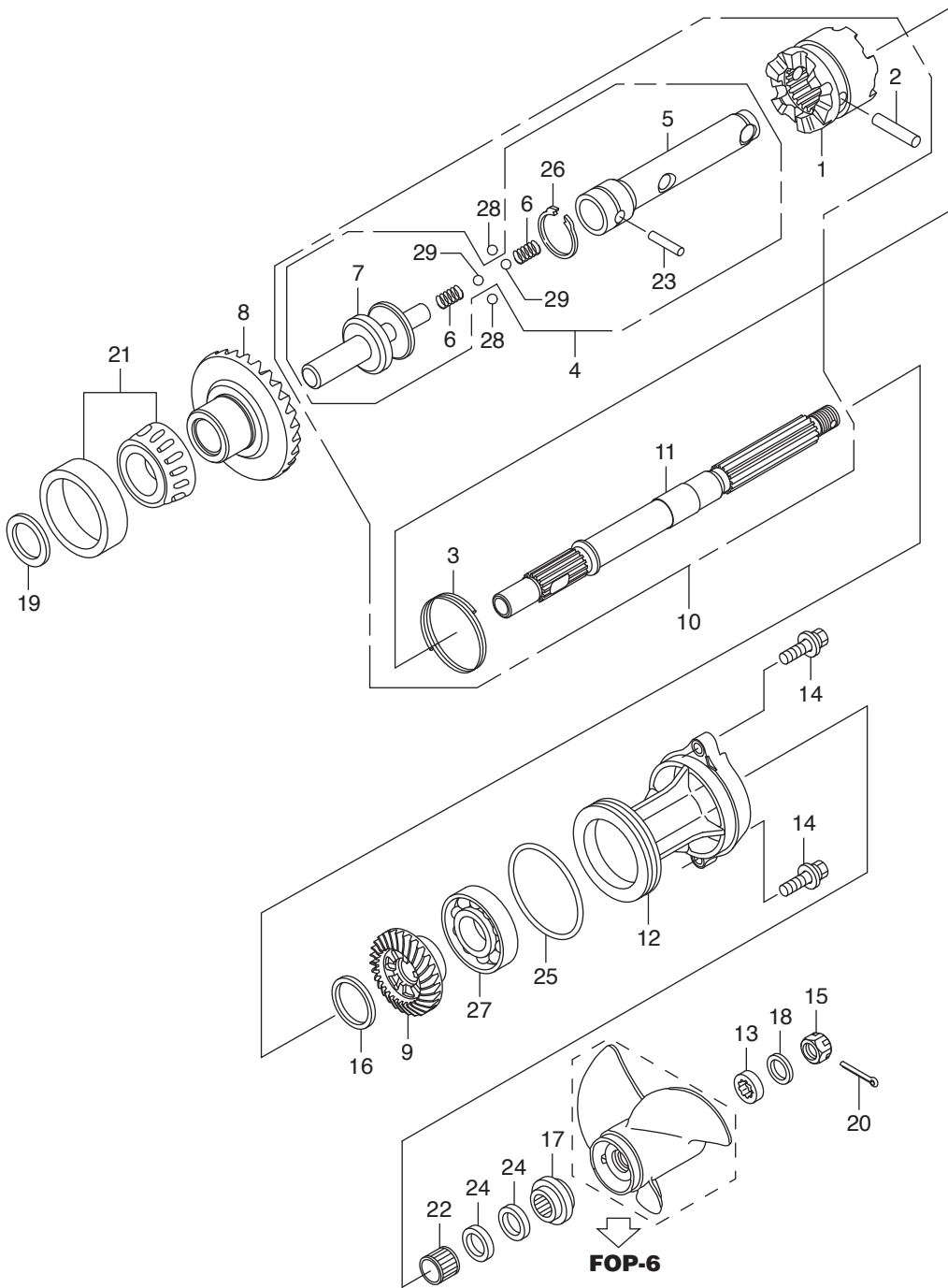




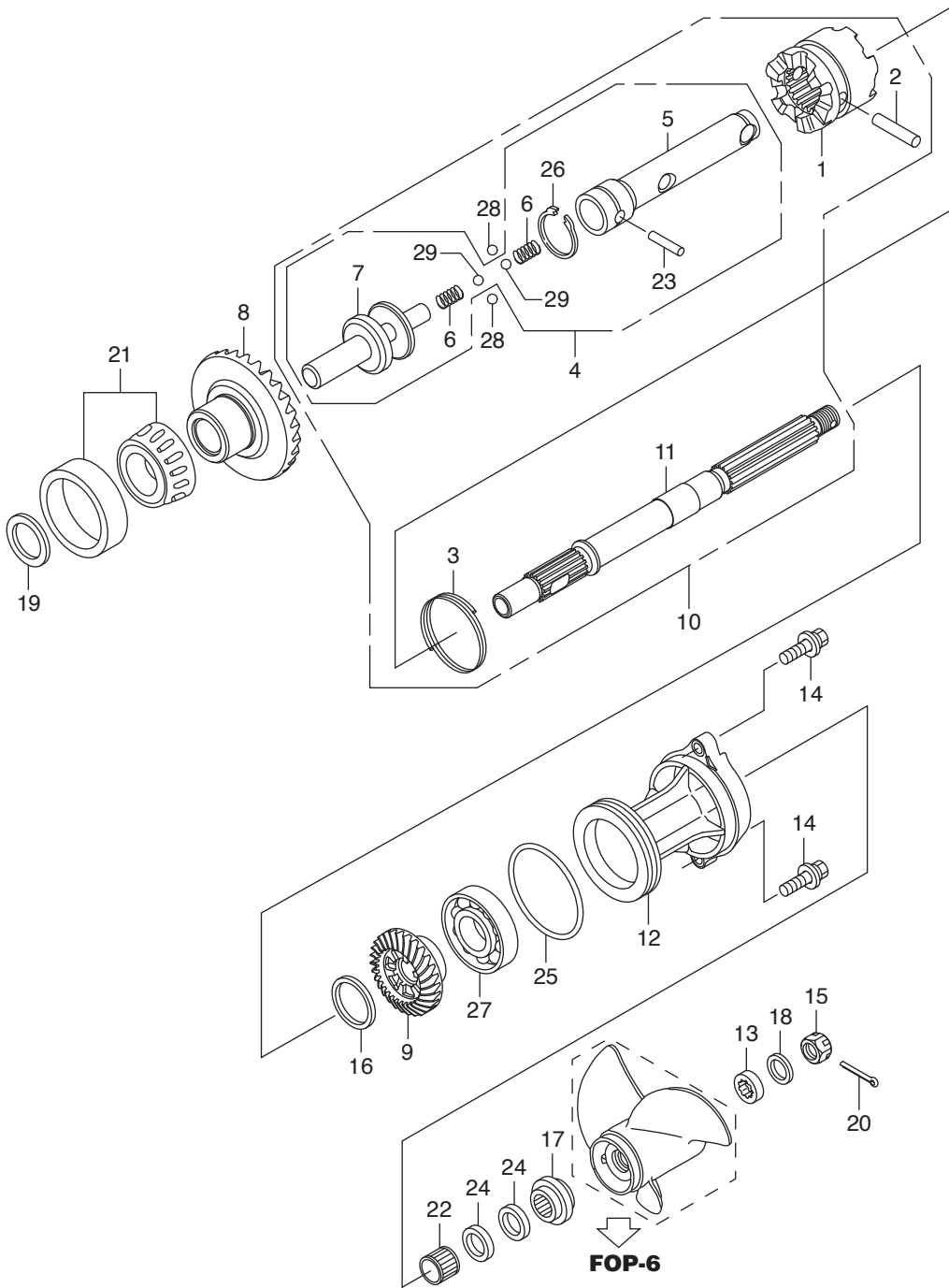
Ref.No.	Part No.	Description	Q' ty		Remarks
			BFT60A	BFW60A	
F-4-1	1	HZV5-19210-003		1	
F-4-1	2	HZZ3-19221-000		1	
F-4-1	3	HZZ3-19223-000		1	
F-4-1	4	HZZ3-19228-000		1	
F-4-1	5	HZZ3-19231-000		1	
F-4-1	6	HZZ3-19234-E00			(POWER THRUST)
F-4-1					
F-4-1	7	HZZ0-19241-000		1	
F-4-1	8	HZW1-19242-B00		1	
F-4-1	9	HZZ3-19251-E00		1	
F-4-1	10	HZZ3-19253-000		1	
F-4-1	11	HZZ0-24310-000		1	
F-4-1	12	HZY3-24318-000		1	
F-4-1	13	HZW1-24320-B00		1	
F-4-1	14	HZW1-24327-000		1	
F-4-1	15	HZW1-24343-B02		1	
F-4-1	16	HZZ3-41112-E00		1	(POWER THRUST)
F-4-1	17	HZW1-41116-B00		1	
F-4-1	18	HZW1-41131-B01		1	
F-4-1	19	HZV5-90010-000		4	
F-4-1	20	HZW9-90102-000		1	
F-4-1	21	HZW1-90242-000		1	
F-4-1	22	HZW1-90303-B03		1	
F-4-1	23	H723-90472-000		1	
F-4-1	24	HZV4-90511-000		1	
F-4-1	25	H921-90514-000		2	
F-4-1	26	HZW1-90518-B00		1	
F-4-1		HZW1-90519-B00		1	
F-4-1		HZW1-90520-B00		1	

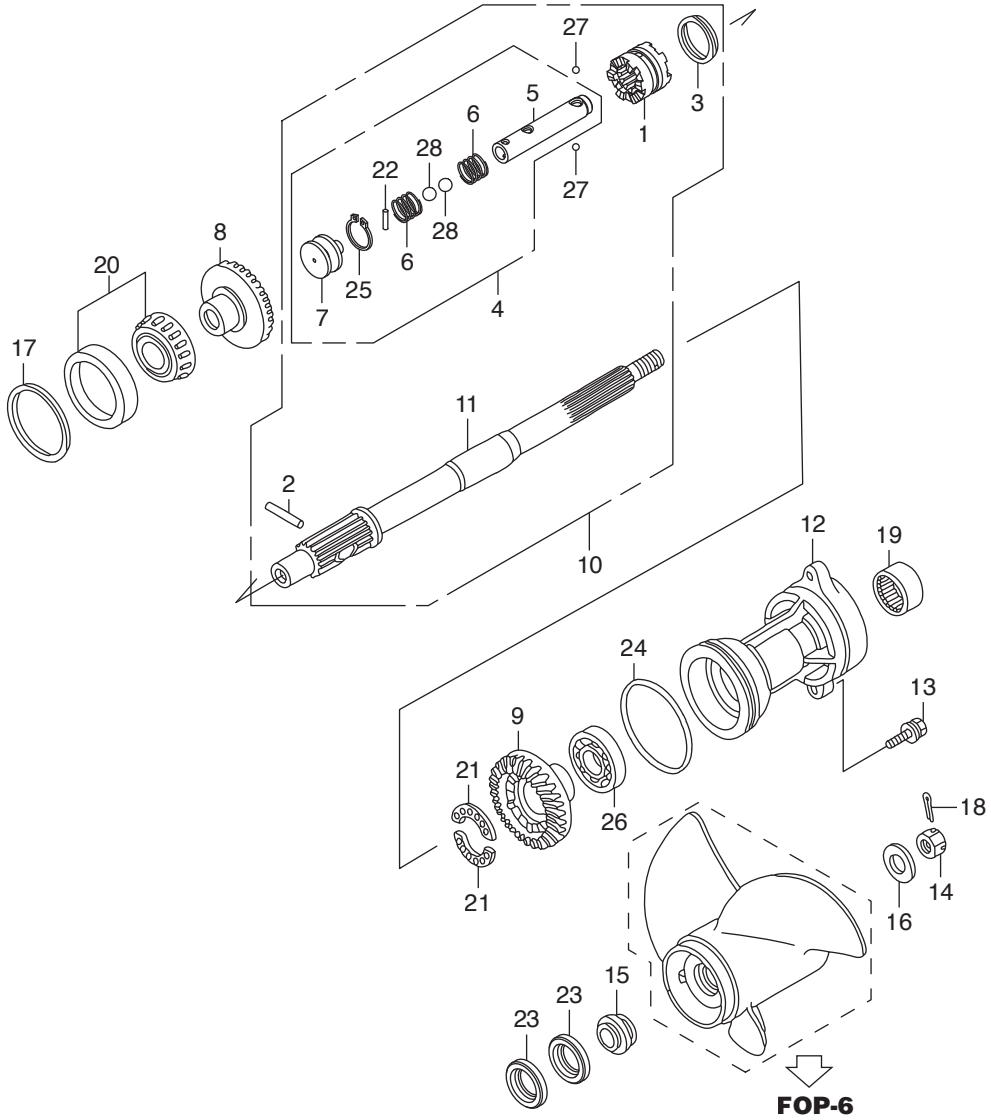


Ref.No.	Part No.	Description	Q'ty		Remarks
			BFT60A	BFW60A	
F-4-1		HZW1-90521-B00		1	
F-4-1	27	HZV5-90752-003		1	
F-4-1	28	HZV5-90756-000		2	
F-4-1	29	HZW1-91052-B02		1	(1-1/8X1-1/2X1-1/4)
F-4-1	30	HZW1-91054-B31		1	30X62X40
F-4-1	31	HZZ3-91253-003		2	
F-4-1	32	HZY3-91254-003		2	
F-4-1	33	HMJ0-91308-003		1	
F-4-1	34	HZZ3-91356-000		1	
F-4-1	35	HMB0-91359-000		1	
F-4-1	36	HZY6-91552-000		4	
F-4-1	37	HCO-94540-10019		1	



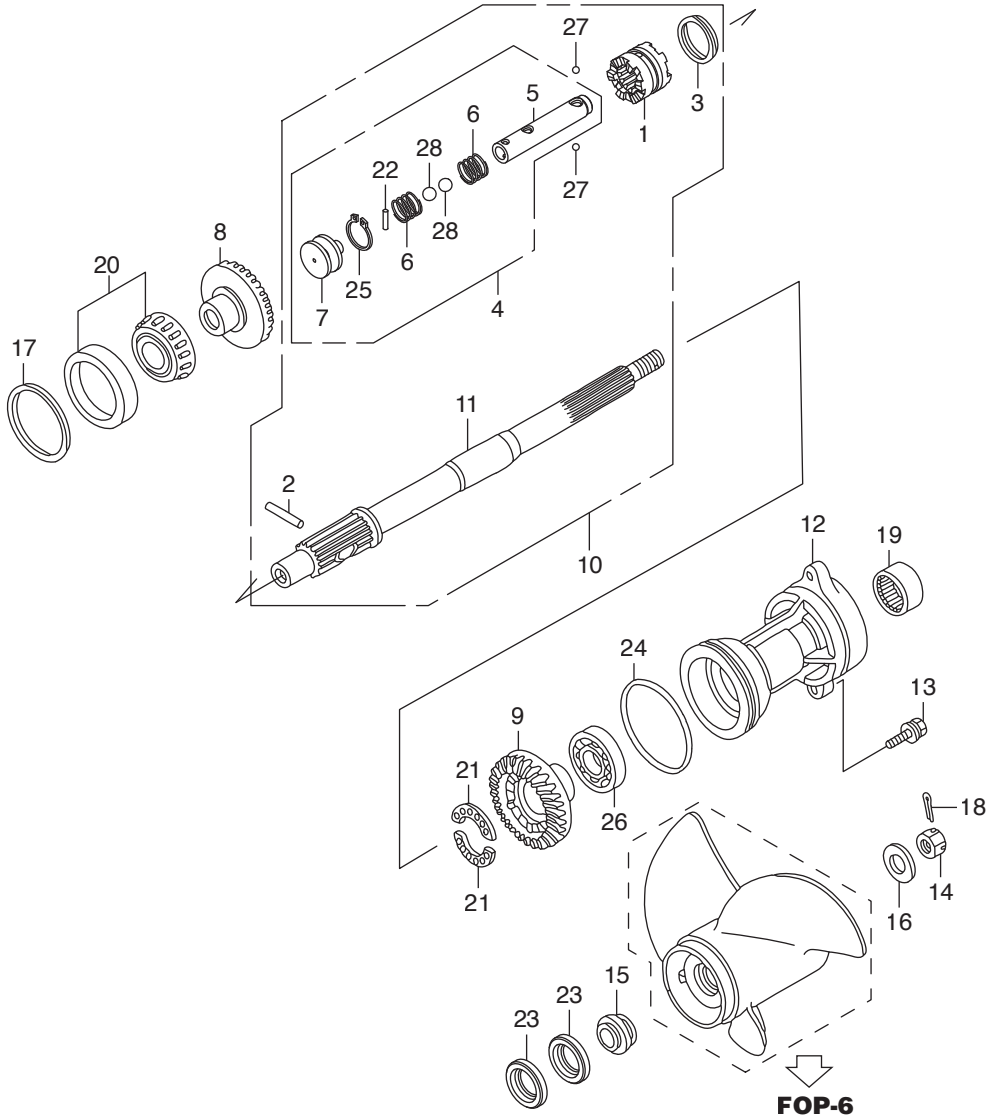
Ref.No.	Part No.	Description	Q' ty		Remarks
			BFT60A	BFW60A	
F-5	1	HZZ3-24101-000	SHIFTER, CLUTCH	1	
F-5	2	HZV5-24102-000	PIN, SHIFTER, 6.3X33	1	
F-5	3	HZV5-24103-000	RING, CROSS PIN	1	
F-5	4	HZZ3-24113-000	SLIDER COMP., SHIFT	1	
F-5	5	HZZ3-24122-000	SLIDER, SHIFT	1	
F-5	6	HZZ3-24123-000	SPRING, SHIFT	2	
F-5	7	HZZ3-24124-000	PLATE, SHIFT	1	
F-5	8	HZZ3-41140-000	GEAR COMP., FR. BEVEL(29T)	1	
F-5	9	HZZ3-41151-000	GEAR, RR. BEVEL(29T)	1	
F-5	10	HZZ3-41160-000	SHAFT ASSY., PROPELLER	1	
F-5	11	HZZ3-41161-000	SHAFT, PROPELLER	1	
F-5	12	HZZ3-41201-000ZD	HOLDER, PROPELLER SHAFT	1	*T107* BAY BLUE
F-5	13	HZV5-58151-000	SPACER, 10MM	1	
F-5	14	HZY6-90105-000	BOLT-WASHER, 8X30	2	
F-5	15	HZV5-90301-000	NUT, CASTLE, 16MM	1	
F-5	16	HZV5-90503-000	WASHER, 22MM	1	
F-5	17	HZV5-90506-020	WASHER, PROPELLER THRUST	1	
F-5	18	HZV5-90508-000	WASHER, 17MM	1	
F-5	19	HZV5-90528-000	SHIM, FR. BEVEL(A)(51X57X0.10)	1	
F-5		HZV5-90529-000	SHIM, FR. BEVEL(B)(51X57X0.15)	1	
F-5		HZV5-90530-000	SHIM, FR. BEVEL(C)(51X57X0.30)	1	
F-5		HZV5-90531-000	SHIM, FR. BEVEL(D)(51X57X0.50)	1	
F-5	20	HZV5-90758-000	PIN, SPLIT, 4.0	1	
F-5	21	HZZ5-91051-003	BEARING, 32X58X17	1	
F-5	22	HZV5-91053-003	BEARING, NEEDLE, 22X28X20	1	
F-5	23	HZW1-91101-003	ROLLER, 3X12.8	1	
F-5	24	HZW4-91252-003	SEAL, WATER, 22X35X7	2	
F-5	25	HZZ3-91352-000	O-RING, 76.5X3	1	
F-5	26	HZZ3-91451-000	CIRCLIP, 14MM	1	



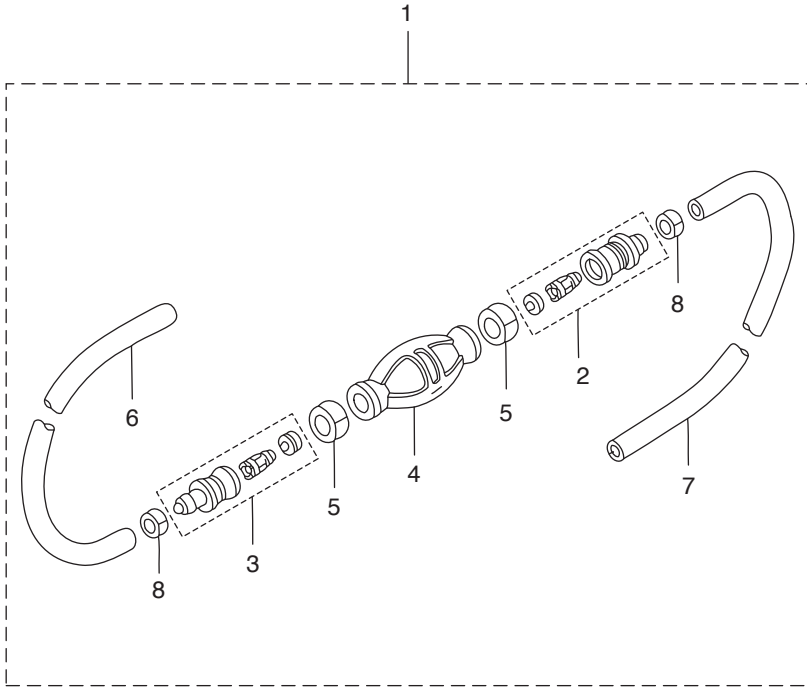


FR.

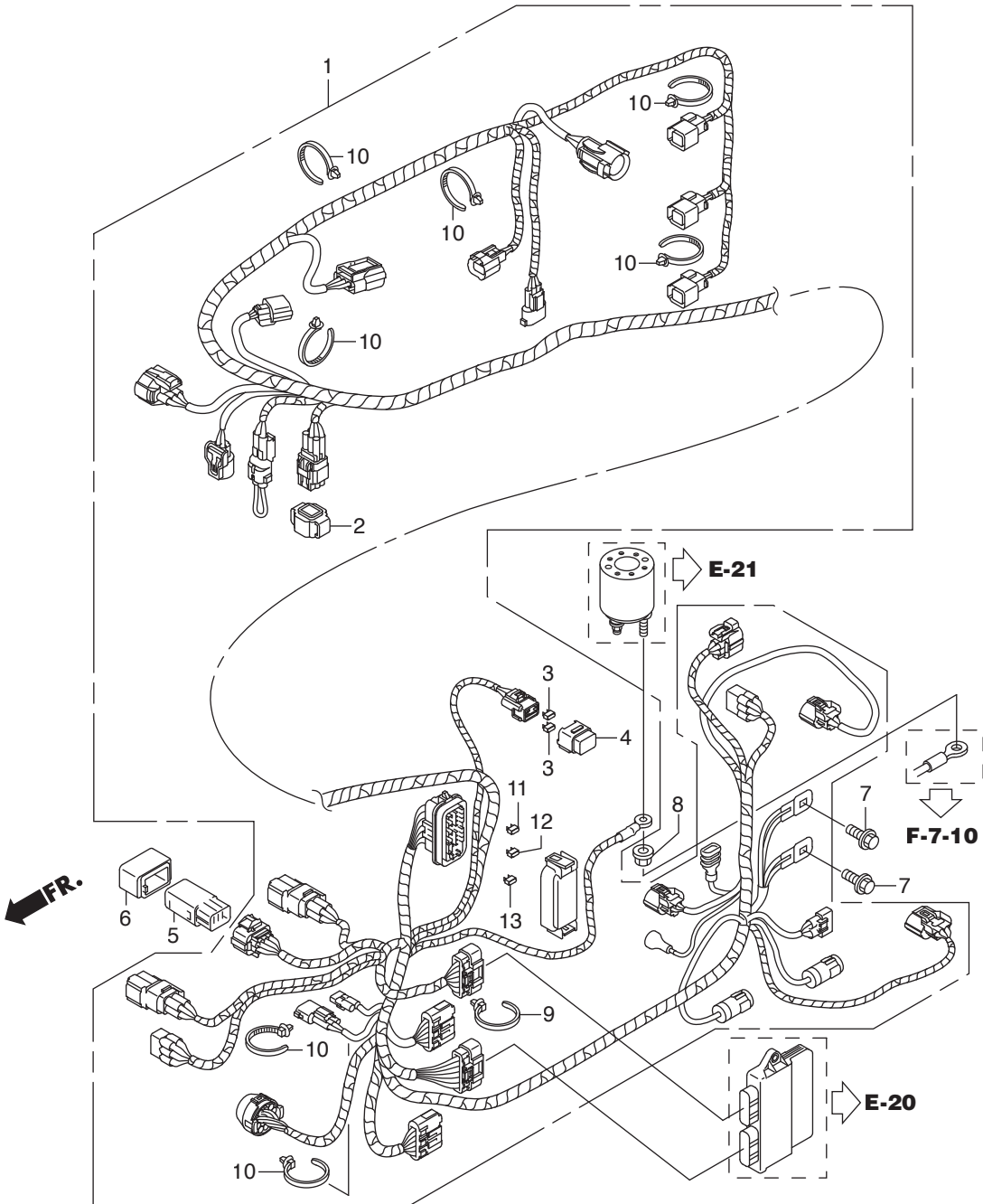
Ref.No.	Part No.	Description	Q' ty		Remarks
			BFT60A	BFW60A	
F-5-1	1	HZZ3-24101-E00		1	
F-5-1	2	HZW1-24102-B00		1	
F-5-1	3	HZW1-24103-B00		1	
F-5-1	4	HZZ3-24113-E00		1	(POWER THRUST)
F-5-1	5	HZZ3-24122-E00		1	
F-5-1	6	HZZ3-24123-E00		2	
F-5-1	7	HZZ0-24124-000		1	
F-5-1	8	HZZ3-41140-E00		1	(POWER THRUST)
F-5-1	9	HZZ3-41151-E00		1	(POWER THRUST)
F-5-1	10	HZZ3-41160-E00		1	(POWER THRUST)
F-5-1	11	HZZ3-41161-E00		1	
F-5-1	12	HZW1-41201-B02ZD		1	*T107* BAY BLUE
F-5-1	13	HZY6-90123-000		2	
F-5-1	14	HZW1-90301-B00		1	
F-5-1	15	HZW1-90506-B00		1	
F-5-1	16	HZW1-90508-B00		1	
F-5-1	17	HZW1-90528-B00		1	
F-5-1		HZW1-90529-B00		1	
F-5-1		HZW1-90530-B00		1	
F-5-1		HZW1-90531-B00		1	
F-5-1	18	HZW1-90758-B00		1	
F-5-1	19	HMY5-91005-601		1	
F-5-1	20	HZW1-91051-B02		1	(50X82X21.5)
F-5-1	21	HZW5-91054-003		2	
F-5-1	22	HZW1-91101-003		1	
F-5-1	23	HZZ3-91252-003		2	
F-5-1	24	HZW1-91351-B02		1	
F-5-1	25	HCO-94510-14000		1	
F-5-1	26	HCO-96100-62080-00		1	



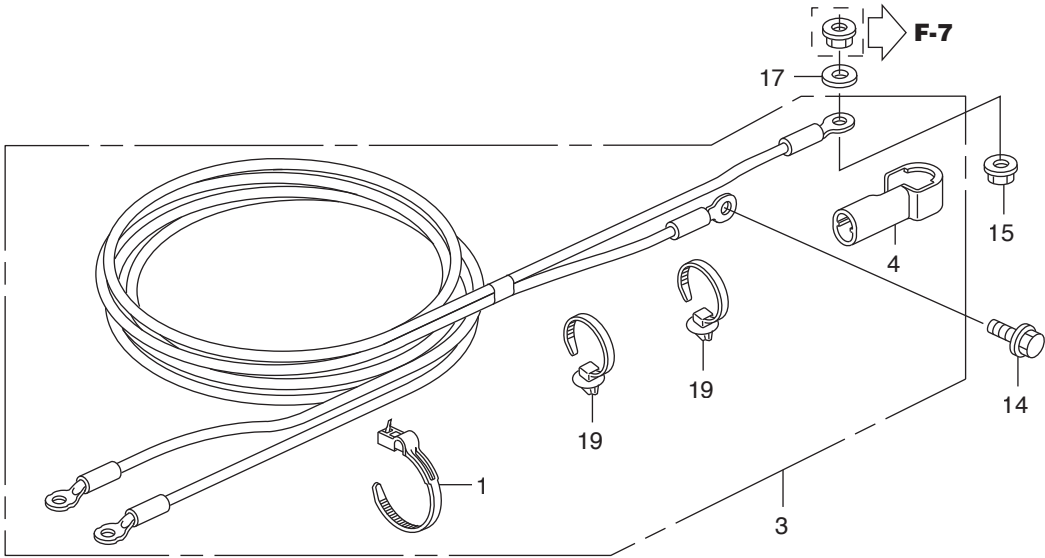
FR.



Ref.No.	Part No.	Description	Q'ty		Remarks	
			BFT60A	BFW60A		
F-6						
F-6	1	3FF-70200-4	PRIMER BULB ASSY	1	1	Low Permeation Parts for USA Model
F-6	2	3C7-70220-1	* JOINT ASSY (INLET)	1	1	ALL
F-6	3	3C7-70224-1	* JOINT ASSY (OUTLET)	1	1	ALL
F-6						
F-6	4	3GF-70211-1	* PRIMER BULB	1	1	Low Permeation Parts for USA Model
F-6	5	3C7-70217-0	* CLAMP	2	2	ALL
F-6						
F-6	6	3GF-70241-1	* LOW PERMEATION HOSE L=700	1	1	Low Permeation Parts USA EPA-KRI-15G
F-6						
F-6	7	3GF-70240-1	* LOW PERMEATION HOSE L=1600	1	1	Low Permeation Parts USA EPA-KRI-15G
F-6	8	332-70201-0	* CLAMP	2	2	ALL

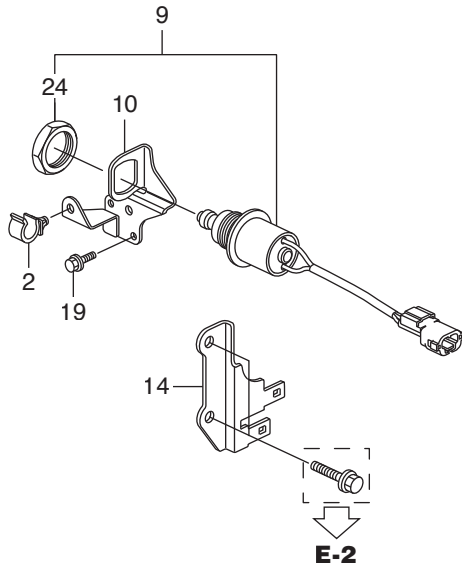
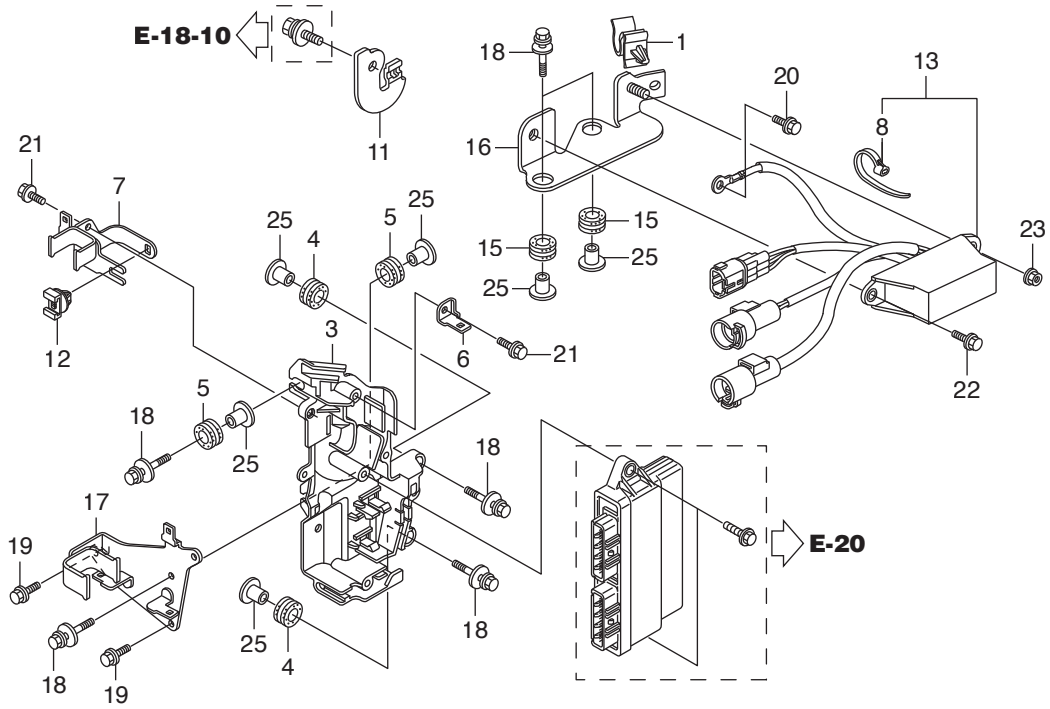


Ref.No.	Part No.	Description	Q' ty		Remarks	
			BFT60A	BFW60A		
F-7	1	HZZ3-32100-020	HARNESS ASSY., MAIN WIRE	1	1	
F-7	2	HZZ3-32127-000	SUSPENSION, COUPLER	1	1	
F-7	3	HKSV-32501-J00	FUSE, BLADE(40A)	2	2	
F-7	4	HZZ3-38216-003	COVER ASSY., FUSE(40A)	1	1	
F-7	5	HZZ3-38580-003	RELAY ASSY., MAIN	1	1	
F-7	6	HZZ5-38586-003	SUSPENSION, RELAY	1	1	
F-7	7	HZW9-90013-000	BOLT, FLANGE, 6X12	2	2	
F-7	8	HZW1-90203-000	NUT-WASHER, 8MM	1	1	
F-7	9	HSL9-91507-003	CLIP, WIRE HARNESS(GREEN)	1	1	(110MM)(7MM HOLE)
F-7	10	HS0A-91541-003	CLIP, HARNESS BAND(BLACK)	7	7	(145MM)
F-7	11	HCO-98200-41000	FUSE, MINI(10A)	4	4	
F-7	12	HCO-98200-41500	FUSE, MINI(15A)	3	3	
F-7	13	HCO-98200-43000	FUSE, MINI(30A)	2	2	

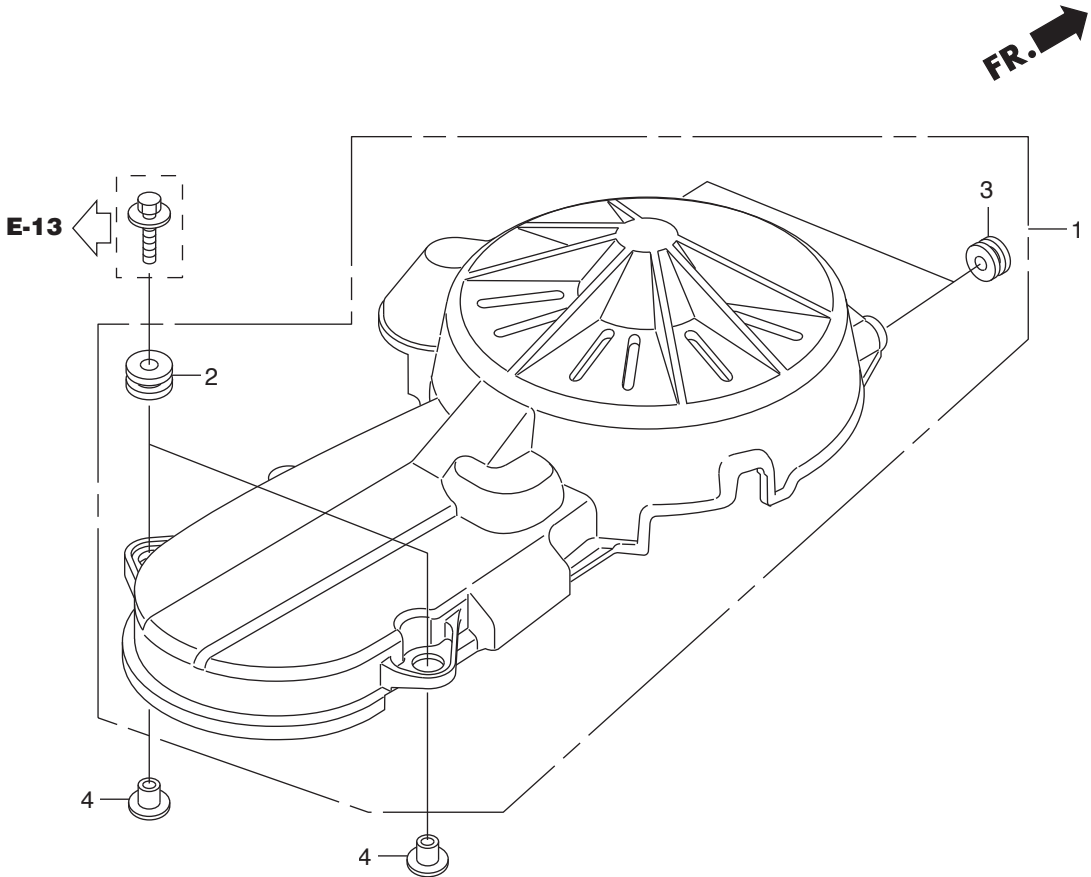


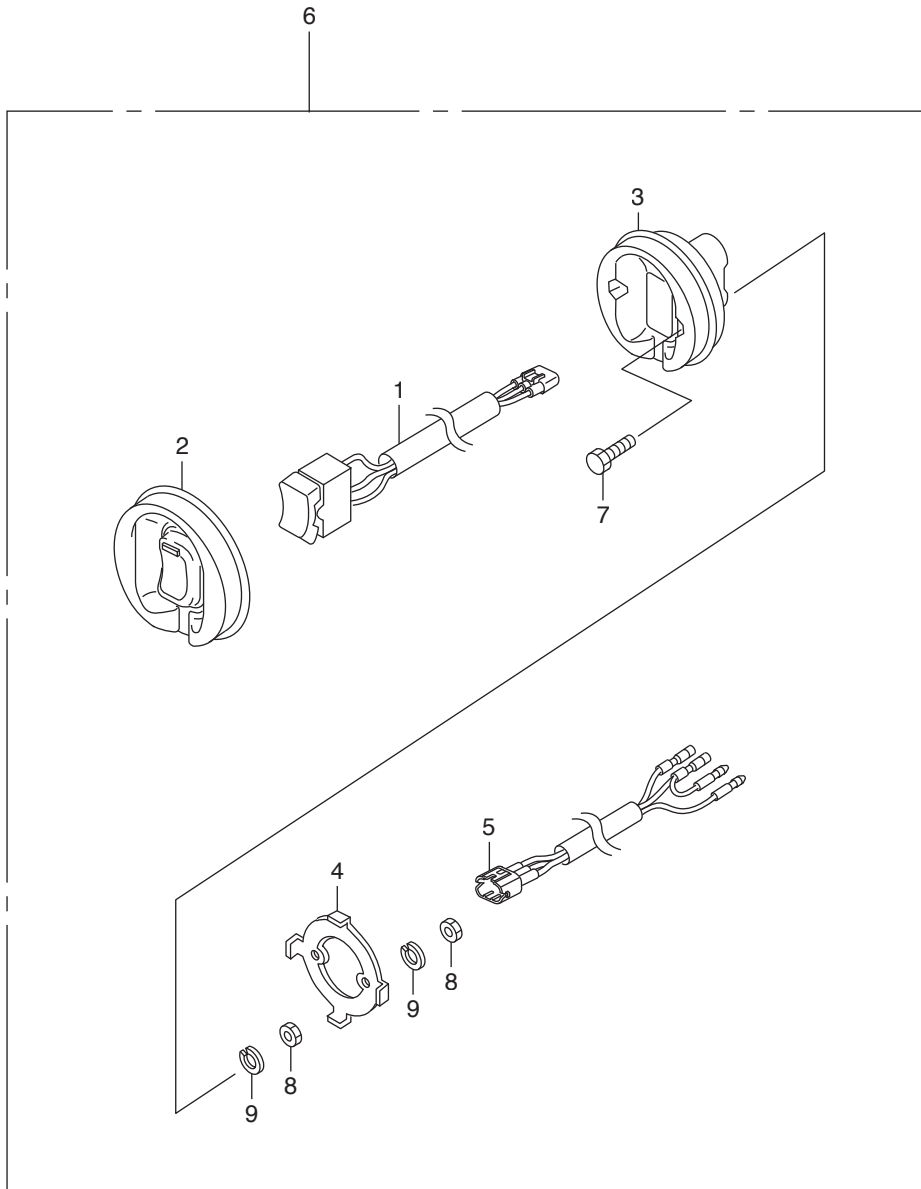
←FR.

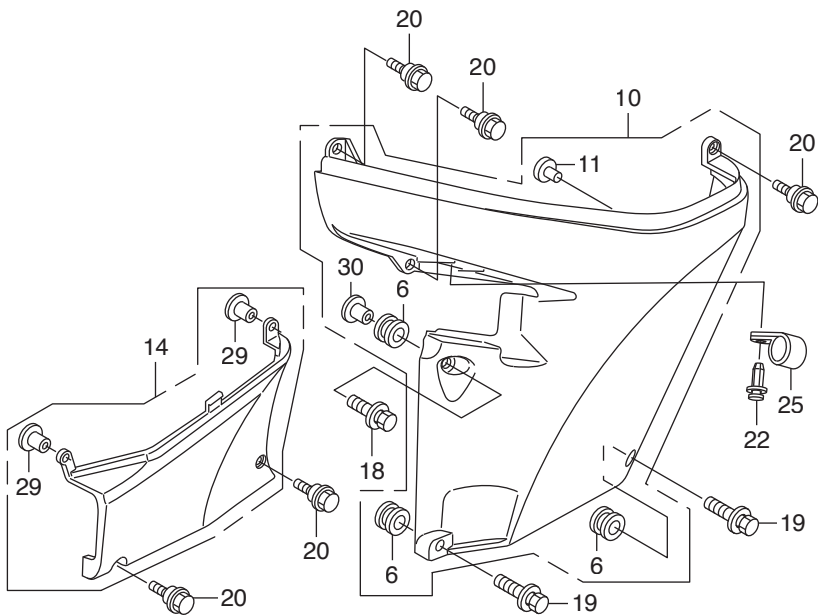
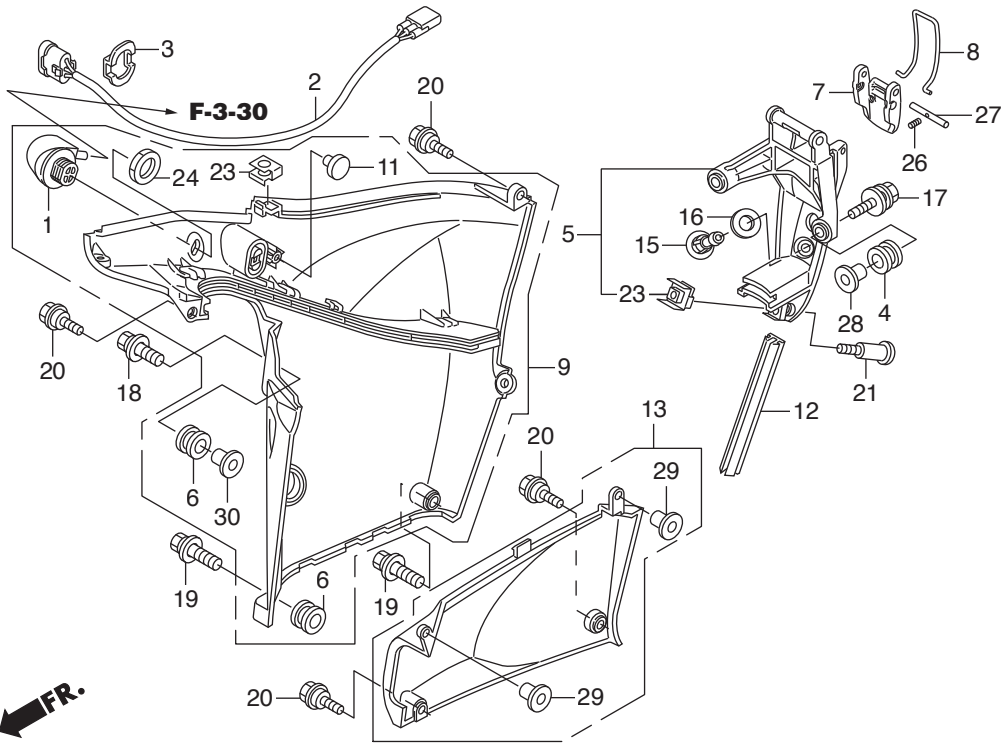
Ref.No.	Part No.	Description	Q' ty		Remarks	
			BFT60A	BFW60A		
F-7-10	1	HHA0-32121-003	BAND, CORD	1	1	
F-7-10	3	HZZ3-32410-000	CABLE ASSY., STARTER	1	1	
F-7-10	4	HZZ3-32411-000	COVER, STARTER TERMINAL	1	1	
F-7-10	14	HZY3-90107-000	BOLT, FLANGE, 8X18	1	1	
F-7-10	15	HZW1-90203-000	NUT-WASHER, 8MM	1	1	
F-7-10	17	HZY3-90405-000	WASHER, PLAIN, 8MM	1	1	
F-7-10	19	HS0A-91541-003	CLIP, HARNESS BAND(BLACK)	2	2	(145MM)



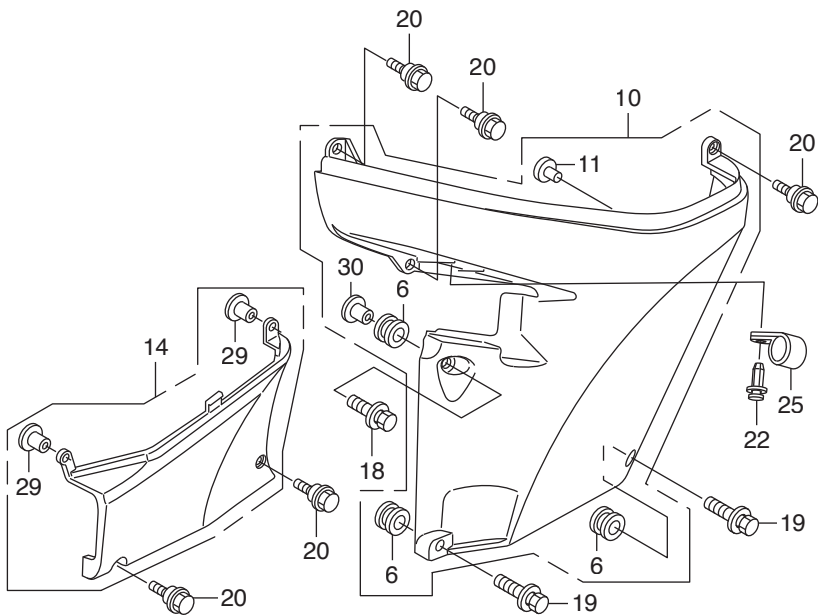
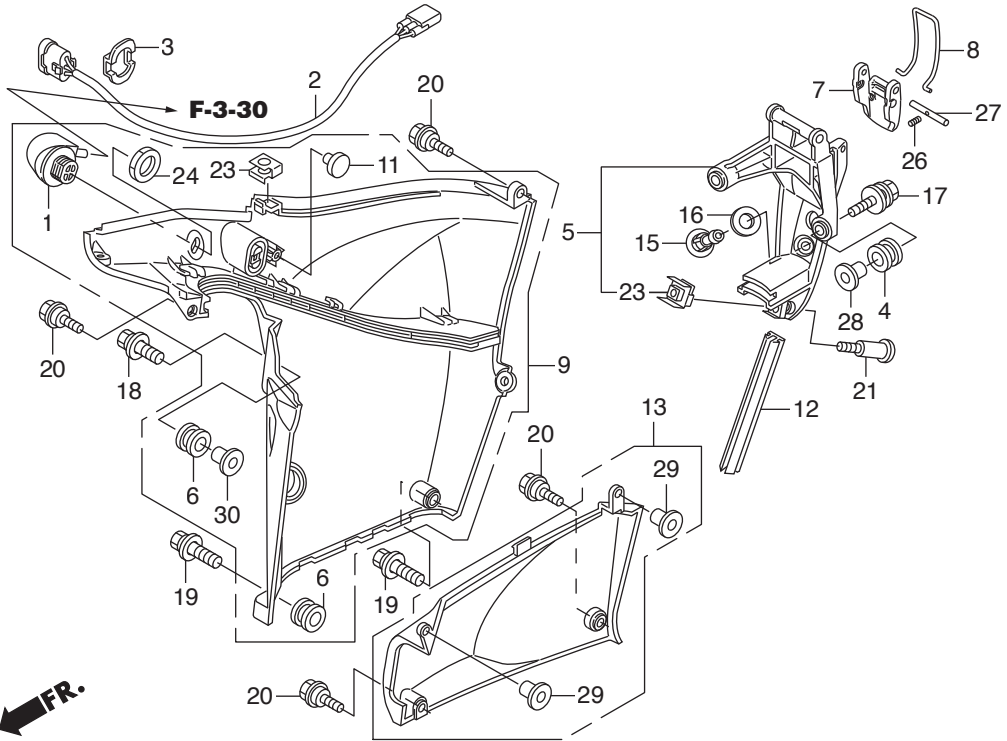
Ref.No.	Part No.	Description	Q' ty		Remarks	
			BFT60A	BFW60A		
F-7-20	1	HZ0G-16446-003	CLAMP, FUEL TUBE	1	1	
F-7-20	2	HZY9-16896-003	CLAMP B, FUEL TUBE	1	1	
F-7-20	3	HZZ3-30416-000	CASE, ELECTRONIC PARTS	1	1	
F-7-20	4	HZY9-30419-003	GROMMET, ELECTRONIC PARTS CASE	2	2	
F-7-20	5	HZV5-30598-000	GROMMET, C.D.I. UNIT CASE(B)	2	2	
F-7-20	6	HZZ3-32101-000	BRACKET, A.C. GENERATOR FUSE	1	1	
F-7-20	7	HZZ3-32102-000	BRACKET, FUSE	1	1	
F-7-20	8	H952-32901-770	TIE, CABLE(NATURAL)(2.4X92)	1	1	
F-7-20	9	HZZ3-35470-023	SWITCH ASSY., NEUTRAL	1	1	
F-7-20	10	HZZ3-35475-000	BRACKET COMP., NEUTRAL SWITCH	1	1	
F-7-20	11	HZZ3-35645-000	BRACKET, POWER TILT SWITCH	1	1	COUPLER
F-7-20	12	HZY3-38216-003	CLIP, COUPLER HOLDER(B)	1	1	
F-7-20	13	HZZ3-38550-003	RELAY ASSY., POWER TILT	1	1	
F-7-20	14	HZZ3-38552-000	BRACKET A, POWER TILT COUPLER	1	1	
F-7-20	15	HZY9-38553-003	GROMMET, RELAY BRACKET	2	2	
F-7-20	16	HZZ3-38553-000	BRACKET, POWER TILT RELAY	1	1	
F-7-20	17	HZZ3-38582-000	BRACKET, MAIN RELAY	1	1	
F-7-20	18	HZW2-90003-000	BOLT-WASHER, 6X27(CT200)	6	6	
F-7-20	19	HZW9-90011-000	BOLT, FLANGE, 6X14(CT200)	3	3	
F-7-20	20	HZW9-90013-000	BOLT, FLANGE, 6X12	1	1	
F-7-20	21	HZW9-90014-000	BOLT, FLANGE, 6X10	2	2	
F-7-20	22	HZY3-90021-000	BOLT, FLANGE, 6X14	1	1	
F-7-20	23	HZW2-90301-F00	NUT, FLANGE, 6MM	1	1	
F-7-20	24	HZV5-90302-003	NUT, HEX., 20MM	1	1	
F-7-20	25	HZV5-91553-010	COLLAR, C.D.I. UNIT CASE	6	6	

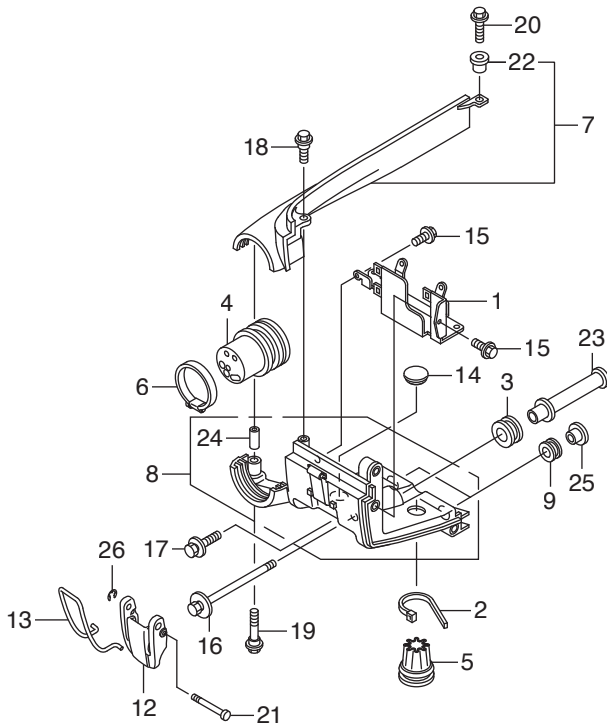
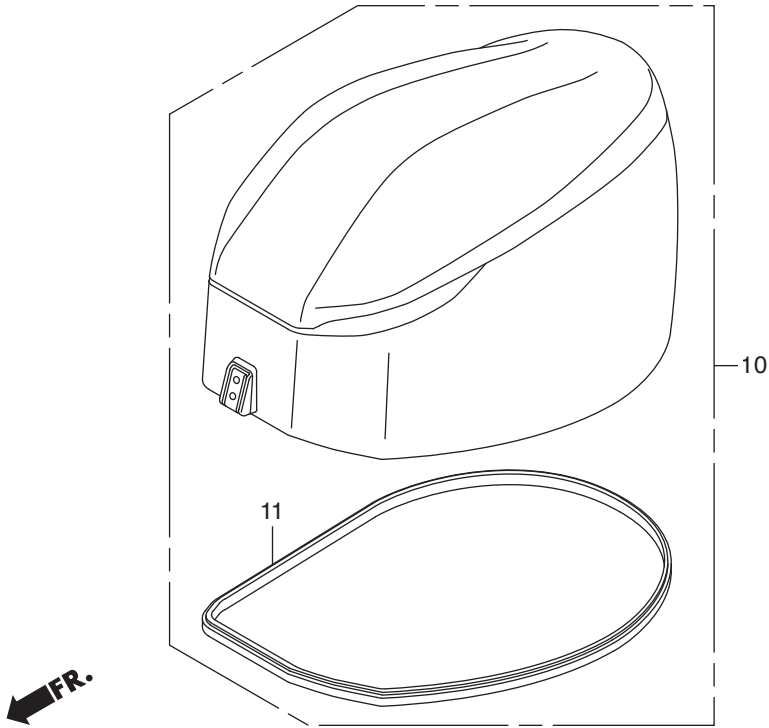




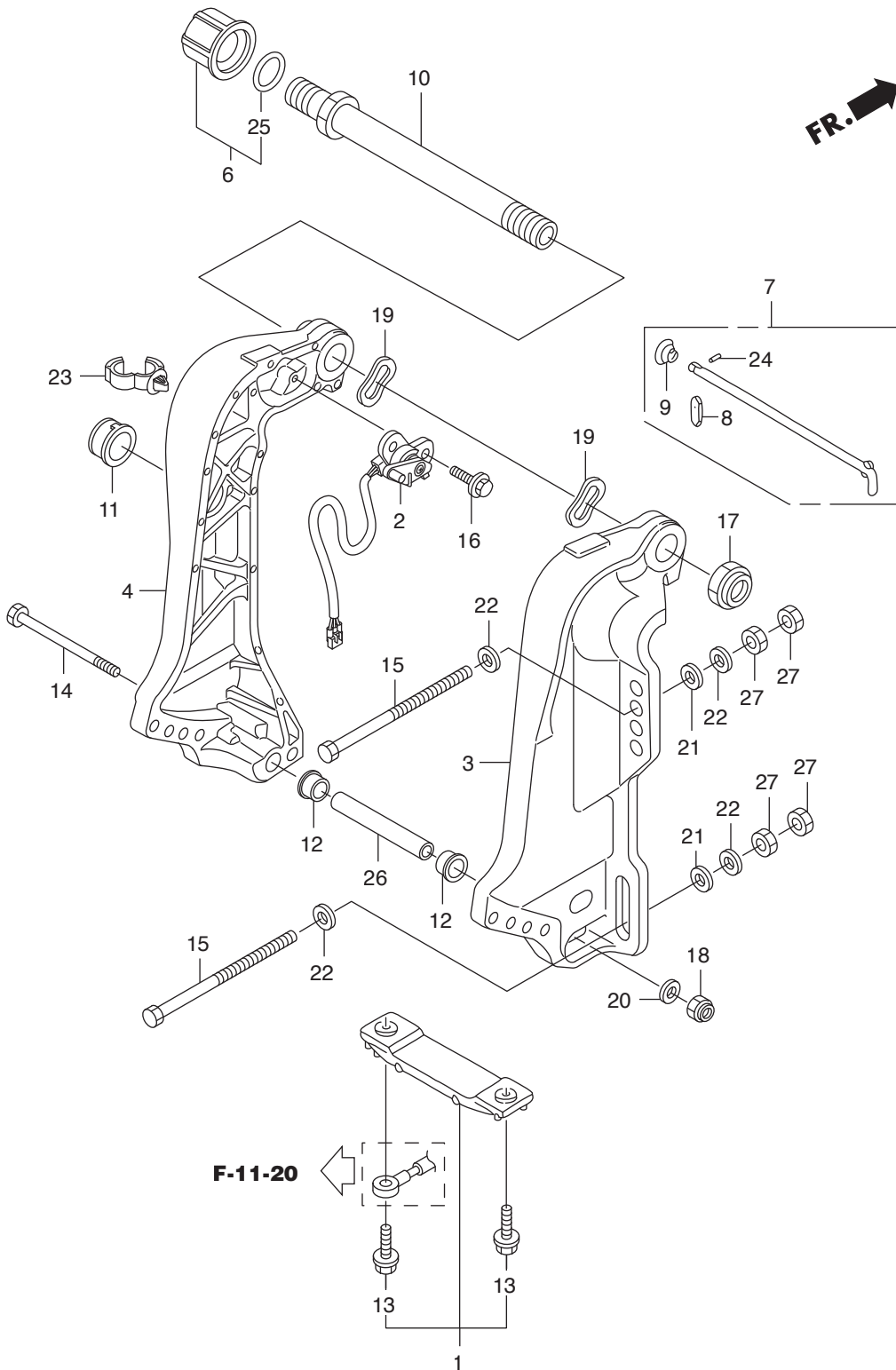


Ref.No.	Part No.	Description	Q' ty		Remarks	
			BFT60A	BFW60A		
F-8	1	HZY6-19289-000	CAP, WATER JOINT	1	1	
F-8	2	HZZ3-35640-003	SWITCH ASSY., POWER TILT	1	1	
F-8	3	HZY9-35645-000	STAY, POWER TILT SWITCH	1	1	
F-8	4	HZV5-40102-000	GROMMET, UNDER CASE	2	2	
F-8	5	HZZ3-40155-000	BRACKET, RR. UNDER COVER	1	1	
F-8	6	HMB6-61102-631	RUBBER, FENDER MOUNTING	6	6	
F-8	7	HZY9-63232-010	LEVER, FASTENER	1	1	
F-8	8	HZY9-63237-000	WIRE, FASTENER	1	1	
F-8	9	HZZ3-63710-000ZC	COVER ASSY., R. ENGINE UNDER	1	1	*T107* BAY BLUE
F-8	10	HZZ3-63715-000ZC	COVER ASSY., L. ENGINE UNDER	1	1	*T107* BAY BLUE
F-8	11	HZW9-63718-000	RUBBER, CUSHION	2	2	
F-8	12	HZZ3-63724-000	SEAL, RR. UNDER COVER	1	1	
F-8	13	HZZ3-63731-000ZC	COVER, R. LOWER MOUNTING	1	1	*T107* BAY BLUE
F-8	14	HZZ3-63736-000ZC	COVER, L. LOWER MOUNTING	1	1	*T107* BAY BLUE
F-8	15	HZY9-82873-000	GROMMET, WATER CHECK	1	1	
F-8	16	HZY9-82874-000	SEAL, WATER CHECK GROMMET	1	1	
F-8	17	HZW1-90013-000	BOLT-WASHER, 6X25	2	2	
F-8	18	HZY9-90103-000	BOLT-WASHER, 6X22	2	2	
F-8	19	HZZ3-90106-000	BOLT-WASHER, 6X27	4	4	
F-8	20	HZY3-90111-000	BOLT, SPECIAL, 6X17	9	9	
F-8	21	HZY9-90113-003	BOLT, RR. BRACKET	1	1	
F-8	22	HZV5-90127-003	SCREW, RIVET, 5X10	1	1	
F-8	23	HZY6-90301-000	NUT, CLIP	2	2	
F-8	24	H921-90302-000	NUT, HEX., 16MM	1	1	
F-8	25	HSB0-90602-003	CLIP, 10.7MM	1	1	
F-8	26	HZY9-90751-000	PIN, SPRING, 2.0X12	1	1	
F-8	27	HZY9-90755-000	PIN, 5X59	1	1	
F-8	28	HZV5-91553-010	COLLAR, C.D.I. UNIT CASE	2	2	
F-8	29	HZY6-91553-000	COLLAR, DISTANCE, 6.5X9X5	4	4	

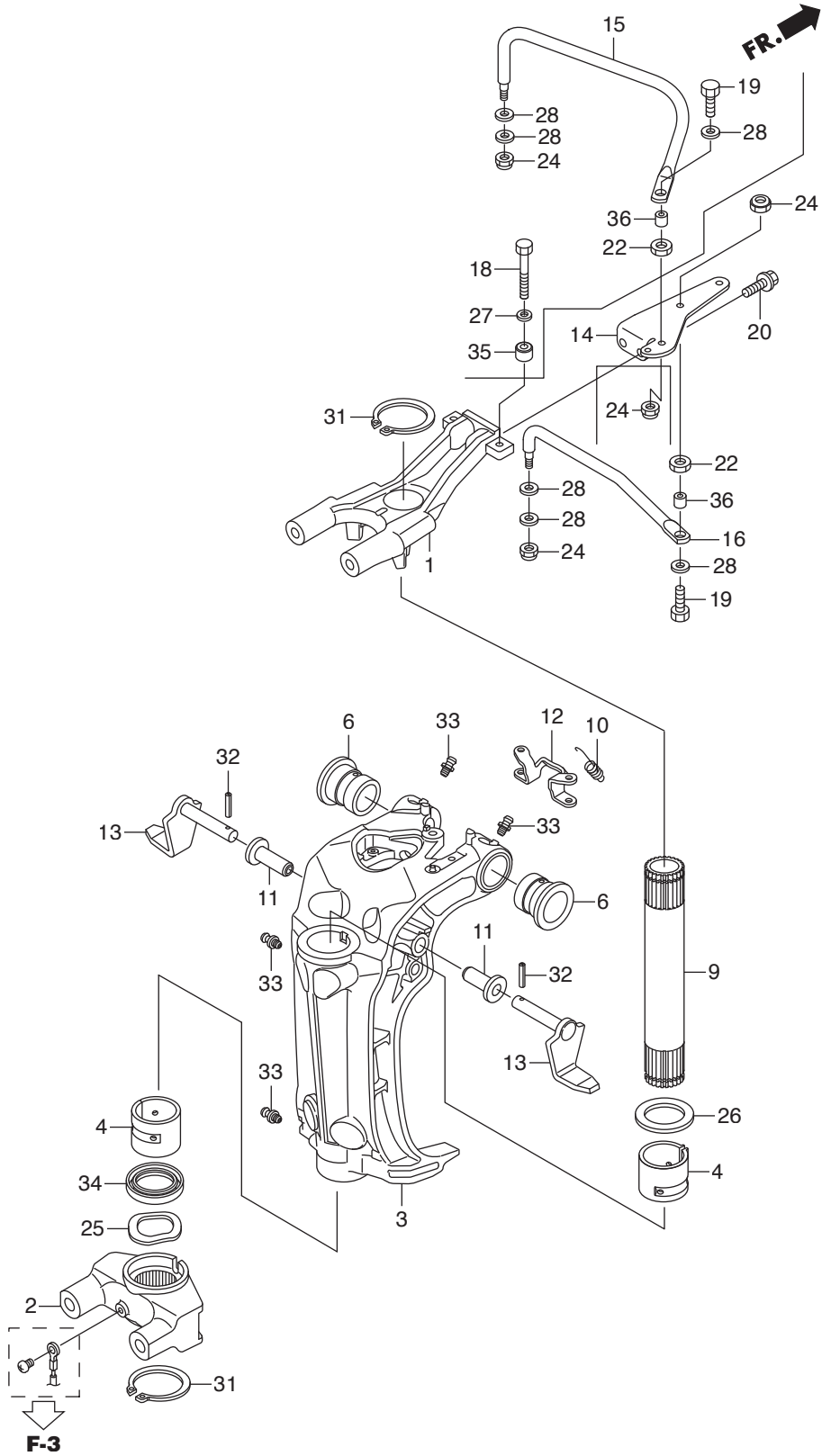




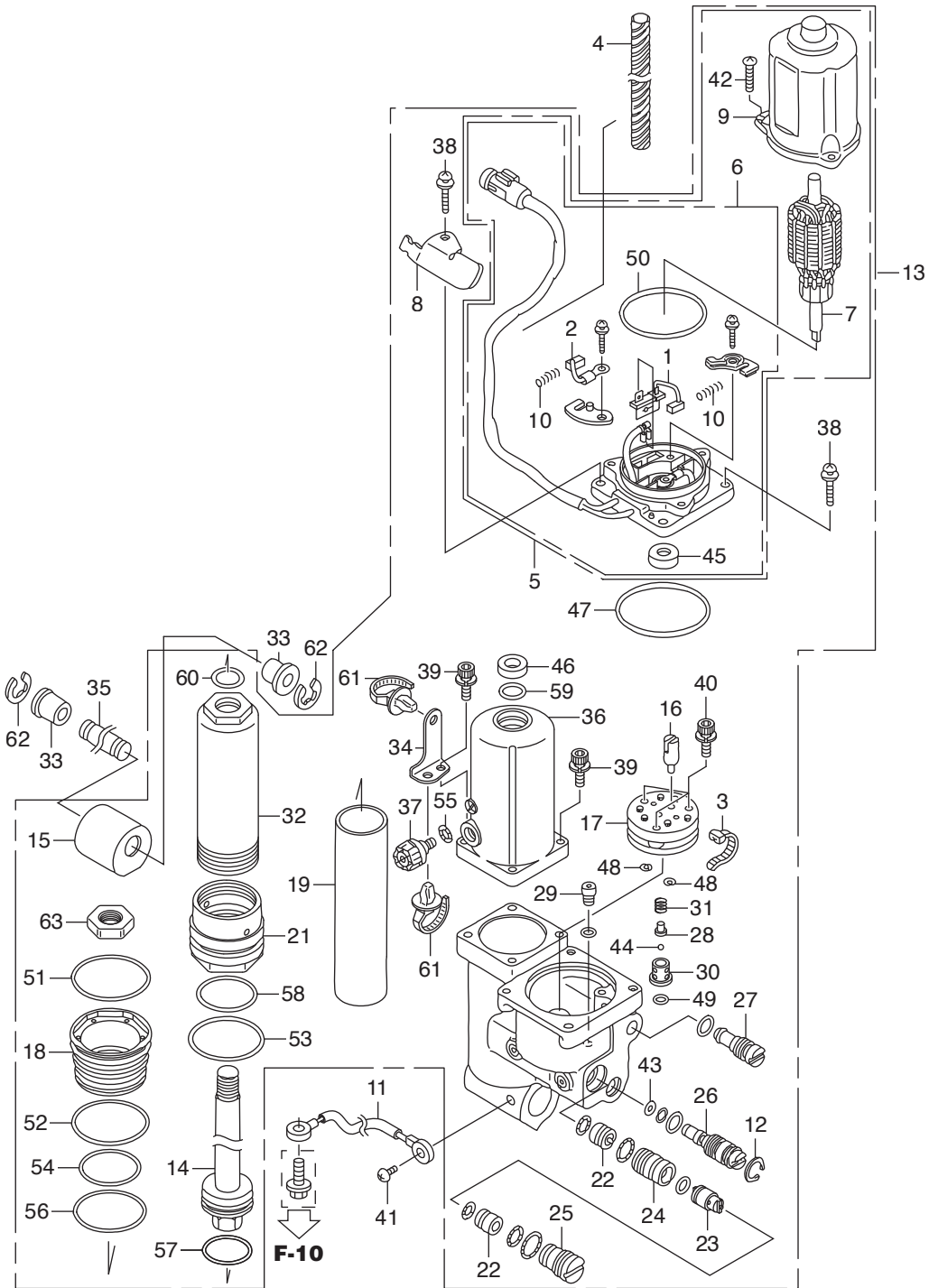
Ref.No.	Part No.	Description	Q' ty		Remarks	
			BFT60A	BFW60A		
F-8-10	1	HZZ3-32581-000	BRACKET, REMOTE CONTROL CABLE	1	1	
F-8-10	2	HMG9-35701-950	BAND(BLACK 3.5X140)	1	1	
F-8-10	3	HZV5-40102-000	GROMMET, UNDER CASE	1	1	
F-8-10	4	HZZ3-40105-000	GROMMET, REMOTE CONTROL CABLE	1	1	
F-8-10	5	HZW1-40107-700	GROMMET, UNDER CASE(C)	1	1	
F-8-10	6	HZY3-40119-003	BAND, UNDER CASE GROMMET	1	1	
F-8-10	7	HZZ3-40151-000ZC	COVER, FR. SEPARATE	1	1	*T107* BAY BLUE
F-8-10	8	HZZ3-40154-000ZC	BRACKET, FR. UNDER COVER	1	1	*T107* BAY BLUE
F-8-10	9	HMB6-61102-631	RUBBER, FENDER MOUNTING	2	2	
F-8-10	10	HZZ3-63100-010ZC	COVER ASSY., ENGINE	1	1	*T107* BAY BLUE
F-8-10	11	HZZ3-63102-000	SEAL, ENGINE COVER	1	1	
F-8-10	12	HZY9-63232-010	LEVER, FASTENER	1	1	
F-8-10	13	HZY9-63237-000	WIRE, FASTENER	1	1	
F-8-10	14	HZC0-63515-700	CAP, L. SIDE COVER	1	1	
F-8-10	15	HZW9-90014-000	BOLT, FLANGE, 6X10	2	2	
F-8-10	16	HZY9-90104-000	BOLT-WASHER, 6X95	1	1	
F-8-10	17	HZZ3-90106-000	BOLT-WASHER, 6X27	2	2	
F-8-10	18	HZY3-90111-000	BOLT, SPECIAL, 6X17	1	1	
F-8-10	19	HZY3-90132-000	BOLT, SPECIAL, 6X37	1	1	
F-8-10	20	HZW4-90168-000	BOLT, FLANGE,(SH)6X20	1	1	
F-8-10	21	HZY9-90754-000	PIN, 5X44.5	1	1	
F-8-10	22	HZY6-91553-000	COLLAR, DISTANCE, 6.5X9X5	1	1	
F-8-10	23	HZY9-91553-000	COLLAR, FR. BRACKET	1	1	
F-8-10	24	HZZ3-91553-000	COLLAR, DISTANCE, 6.1X9.1X20.5	1	1	
F-8-10	25	HZY9-91554-000	COLLAR, DISTANCE, 6.2X7.5	2	2	
F-8-10	26	HCO-94540-04029	E-RING, 4MM	1	1	



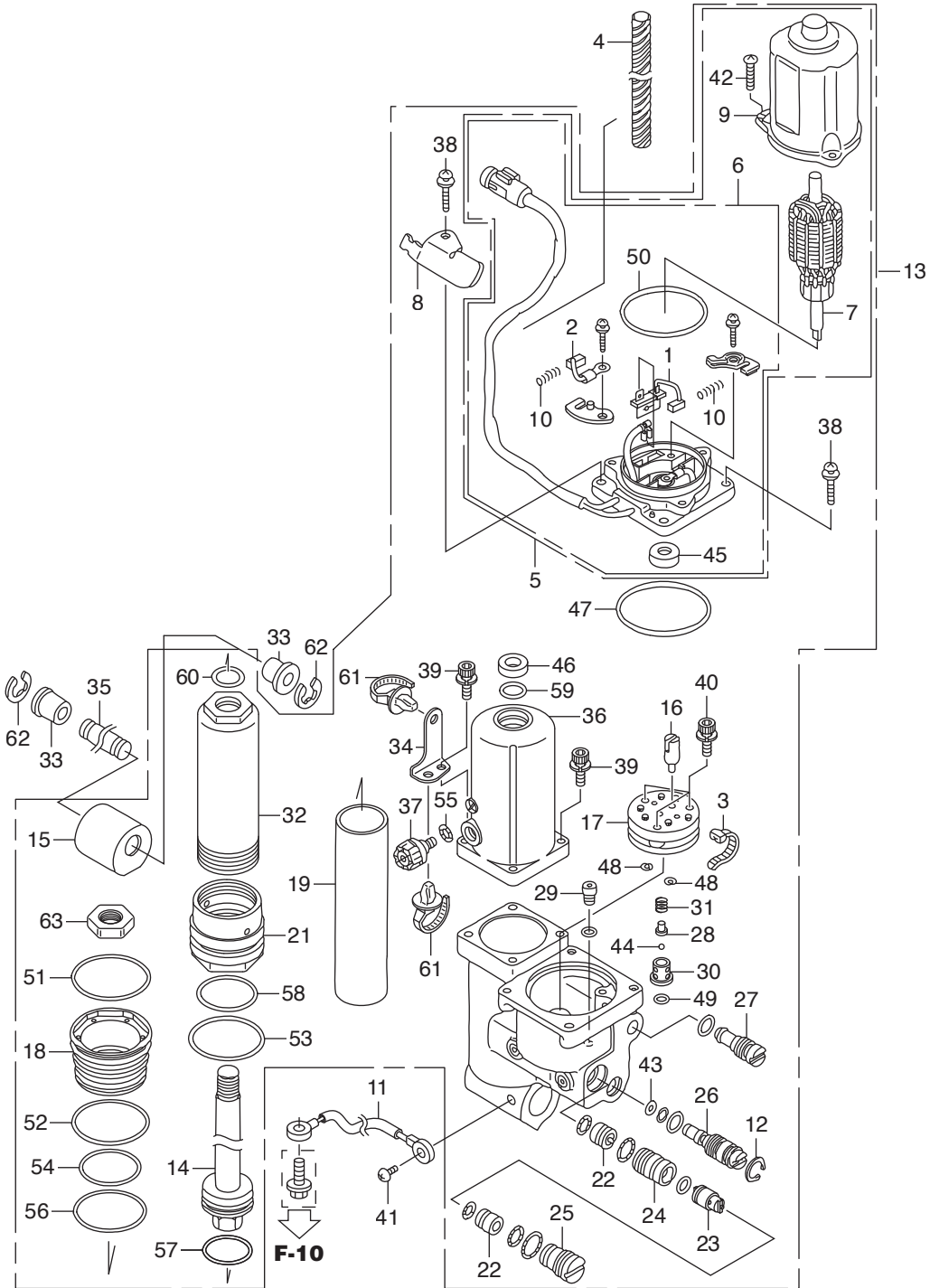
Ref.No.	Part No.	Description	Q' ty		Remarks	
			BFT60A	BFW60A		
F-10	1	HZV5-06411-020	METAL KIT, ANODE	1	1	
F-10	2	HZZ3-35660-003	SENSOR ASSY., TRIM ANGLE	1	1	
F-10	3	HZZ3-50301-010ZC	BRACKET, R. STERN	1	1	*T107* BAY BLUE
F-10	4	HZZ3-50311-000ZC	BRACKET, L. STERN	1	1	*T107* BAY BLUE
F-10	6	HZV5-50335-000	CAP ASSY.	1	1	
F-10	7	HZZ5-50340-000	ROD COMP., ADJUSTING	1	1	
F-10	8	HZV5-50342-300	STOPPER, ROD	1	1	
F-10	9	H921-50343-300	SPRING, ADJUSTING ROD	1	1	
F-10	10	HZZ3-50380-000	SHAFT COMP., TILT	1	1	
F-10	11	HZV5-56118-820	BUSH, MOTOR CODE	1	1	
F-10	12	HZV5-56513-000	BUSH, LOWER CYLINDER	2	2	
F-10	13	HZW9-90009-000	BOLT, FLANGE, 6X23	2	2	
F-10	14	HZV5-90108-000	BOLT, HEX., 10X158	1	1	
F-10	15	HZZ3-90129-000	BOLT, HEX., 12X119	4	4	
F-10	16	HHW1-90215-671	BOLT, FLANGE, 6X16	2	2	
F-10	17	HZV5-90304-013	NUT, SELF-LOCK(7/8-14UNF)	1	1	
F-10	18	HZW4-90306-003	NUT, FLANGE, 10MM	1	1	
F-10	19	HZV5-90502-000	WASHER, WAVE, 26MM	2	2	
F-10	20	H921-90511-000	WASHER, PLAIN, 10MM	1	1	
F-10	21	HZV5-90552-000	WASHER, PLAIN, 12MM	4	4	
F-10	22	HZV5-90559-000	WASHER, PLAIN, 12MM	8	8	
F-10	23	H763-90681-A01	CLIP, WIRE HARNESS	1	1	
F-10	24	HZW6-90751-000	PIN, SPRING, 2.5X8	1	1	
F-10	25	HZV5-91352-000	O-RING, 15.54X2.26	1	1	
F-10	26	HZV5-91556-000	COLLAR, DISTANCE, 10X90	1	1	
F-10	27	HCO-94001-12490-0S	NUT, HEX., 12MM	8	8	



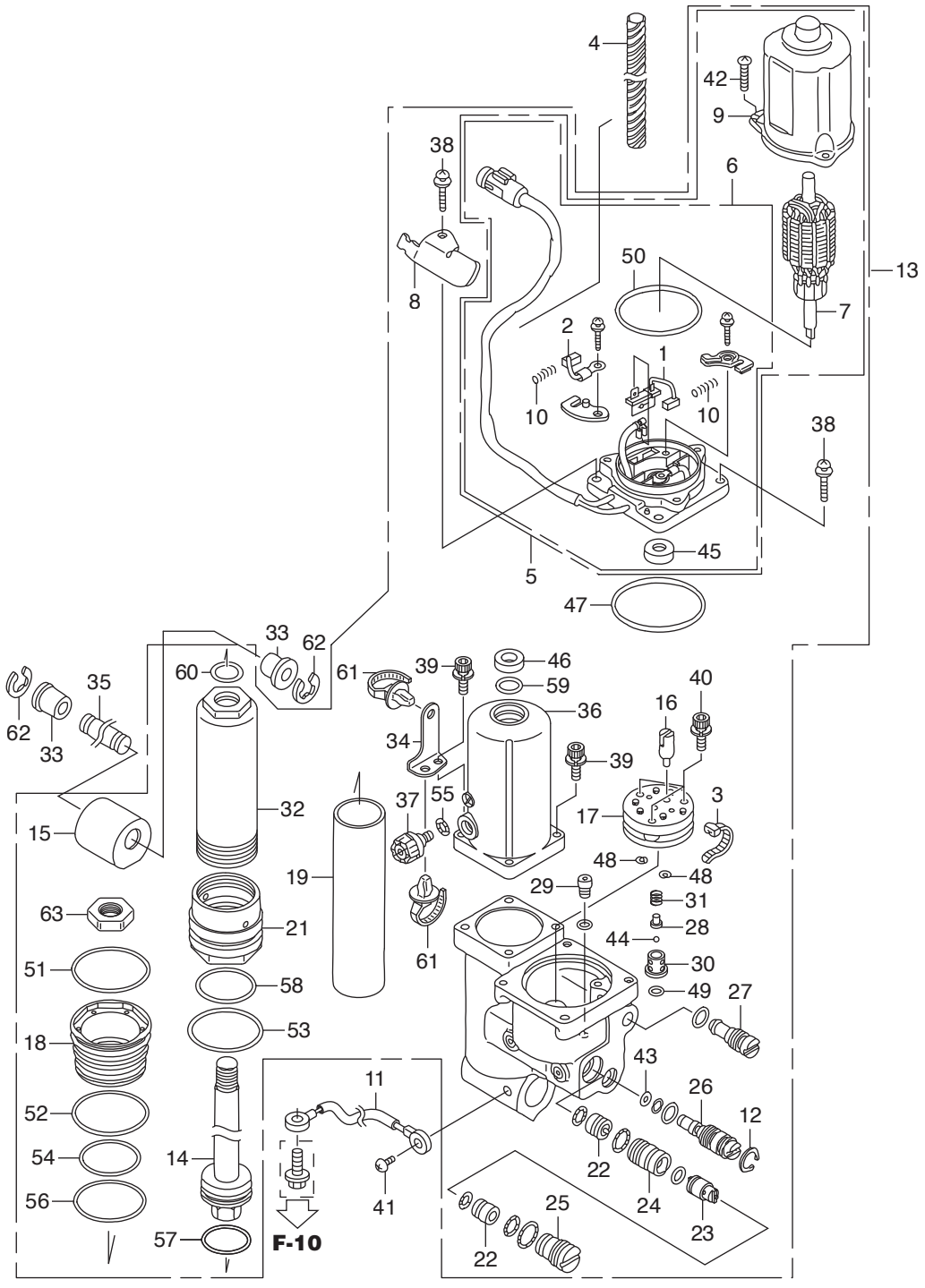
Ref.No.	Part No.	Description	Q' ty		Remarks	
			BFT60A	BFW60A		
F-11	1	HZZ3-50101-000	FRAME, MOUNT	1	1	
F-11	2	HZZ3-50161-000ZE	HOUSING, LOWER CENTER MOUNTING	1	1	*T107* BAY BLUE
F-11	3	HZZ3-50201-000ZC	CASE, SWIVEL	1	1	*T107* BAY BLUE
F-11	4	HZZ5-50211-000	LINER, SWIVEL CASE	2	2	
F-11	6	HZW1-50214-000	BUSH, SWIVEL CASE	2	2	
F-11	9	HZZ3-50417-000	SHAFT, SWIVEL	1	1	
F-11	10	HZV5-50515-000	SPRING, TILT LEVER	1	1	
F-11	11	HZV5-50522-000	BUSH, TILT ARM	2	2	
F-11	12	HZV5-50527-000	BRACKET, TILTING	1	1	
F-11	13	HZZ3-50529-000	STOPPER, TILT	2	2	
F-11	14	HZZ3-53234-000	PLATE, STEERING	1	1	
F-11	15	HZZ3-53238-000	ROD, STEERING		1	
F-11	16	HZZ3-53238-610	ROD, STEERING	1		
F-11						
F-11	18	HZV0-90113-000	BOLT, HEX., 6X35		1	
F-11	19	HZY3-90117-000	BOLT, 3/8-24UNF	1	1	
F-11	20	HZW9-90154-000	BOLT, FLANGE, 10X25	2	2	
F-11	22	HZV5-90302-000	NUT,(3/8-24 UNF)	1	1	
F-11	24	HZV5-90307-003	NUT, SELF-LOCK(3/8-24UNF)	2	2	
F-11	25	HZV5-90501-000	WASHER, WAVE, 40MM	1	1	
F-11	26	HZV5-90504-000	WASHER, THRUST, 34MM	1	1	
F-11	27	HZV4-90506-000	WASHER, PLAIN, 6MM		1	
F-11	28	HZV4-90514-000	WASHER, 10MM	3	3	
F-11	31	HZW4-90651-000	CIRCLIP, EXTERNAL, 39MM	2	2	
F-11	32	HZW6-90752-000	PIN, SPRING, 2.5X20	2	2	
F-11	33	HZV7-90951-010	NIPPLE, GREASE	4	4	
F-11	34	HZV5-91256-003	OIL SEAL, 39.5X52X6(ARAI)	1	1	
F-11	35	HZZ3-91555-000	COLLAR, DISTANCE, 6.5X16X14.5		1	
F-11	36	HZV5-91560-000	COLLAR, STEERING ROD	1	1	



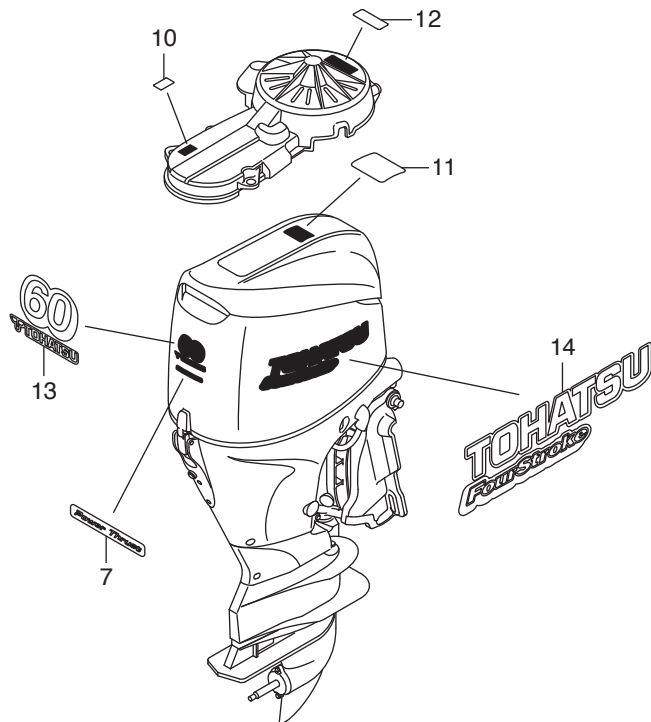
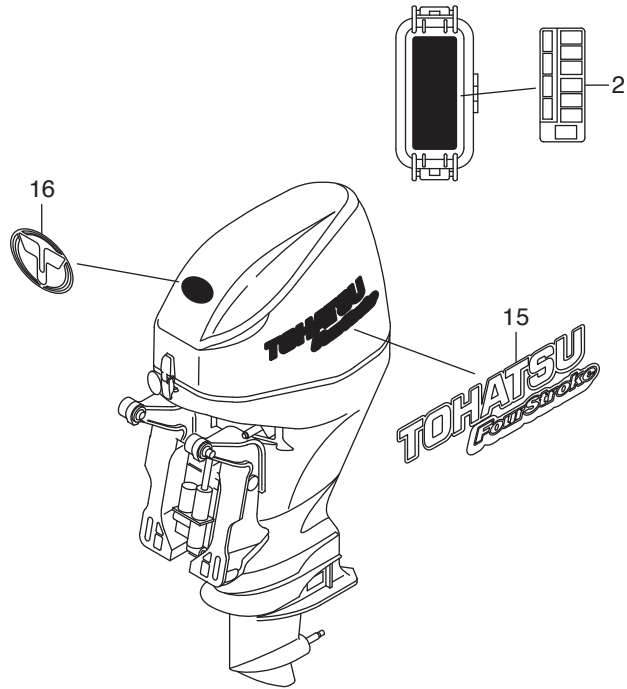
Ref.No.	Part No.	Description	Q' ty		Remarks	
			BFT60A	BFW60A		
F-11-20	1	HZW4-30280-H11	BREAKER ASSY.	1	1	
F-11-20	2	HZY3-31106-003	BRUSH ASSY.	1	1	
F-11-20	3	HMG9-35701-950	BAND(BLACK 3.5X140)	1	1	
F-11-20	4	HZY9-36104-003	TUBE, SPIRAL(12X14.6)	1	1	
F-11-20	5	HZZ3-36120-003	MOTOR ASSY., POWER TILT	1	1	
F-11-20	6	HZZ3-36122-003	BRACKET ASSY.	1	1	
F-11-20	7	HZW4-36123-H12	ARMATURE COMP.	1	1	
F-11-20	8	HZW4-36125-H11	CLAMPER, CORD	1	1	
F-11-20	9	HZV5-36129-822	YOKE COMP.	1	1	
F-11-20	10	HZV5-36136-821	SPRING, MOTOR	2	2	
F-11-20	11	HZY3-40219-013	WIRE, LEAD(1.5X116MM)	1	1	
F-11-20	12	HZY1-53549-871	CIRCLIP, INTERNAL(16)	1	1	
F-11-20	13	HZZ3-56000-033	TRIM-TILT ASSY., POWER	1	1	
F-11-20	14	HZZ3-56110-013	ROD COMP., PISTON	1	1	
F-11-20	15	HZZ3-56113-003	METAL, JOINT	1	1	
F-11-20	16	H766-56113-801	JOINT, DRIVE	1	1	
F-11-20	17	HZW4-56114-H11	PUMP	1	1	
F-11-20	18	HZW4-56115-H11	GUIDE, OUTER TUBE	1	1	
F-11-20	19	HZZ3-56123-003	CYLINDER, TILT	1	1	
F-11-20	21	HZZ3-56135-013	BOTTOM, TILT CYLINDER	1	1	
F-11-20	22	HZZ3-56140-003	VALVE COMP. B	2	2	
F-11-20	23	HZW4-56150-H11	SPOOL COMP.	1	1	
F-11-20	24	HZY1-56161-871	SLEEVE COMP.	1	1	
F-11-20	25	HZZ3-56163-003	PLUG COMP.	1	1	
F-11-20	26	HZZ3-56170-003	VALVE COMP., MANUAL	1	1	
F-11-20	27	HZZ3-56180-003	VALVE COMP.	1	1	
F-11-20	28	HZW4-56182-H11	GUIDE, SPRING	1	1	
F-11-20	29	HZZ3-56190-003	VALVE SET	1	1	
F-11-20	30	HZW4-56191-H11	SEAT B, VALVE	1	1	

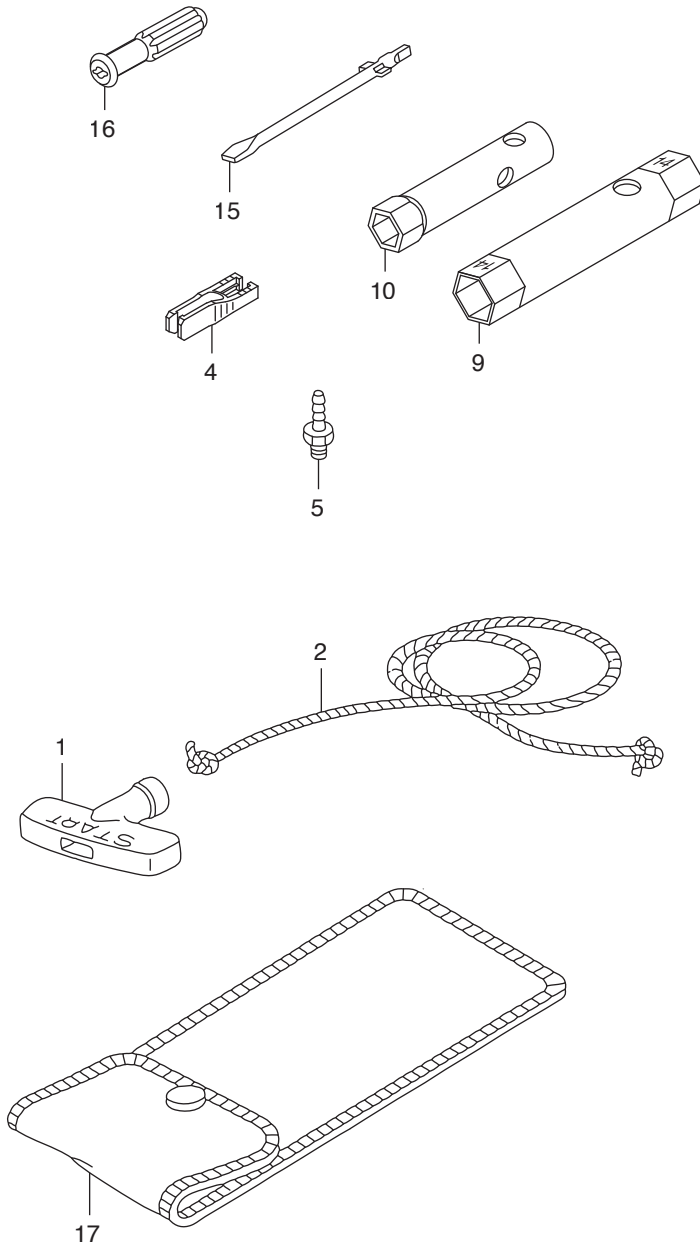


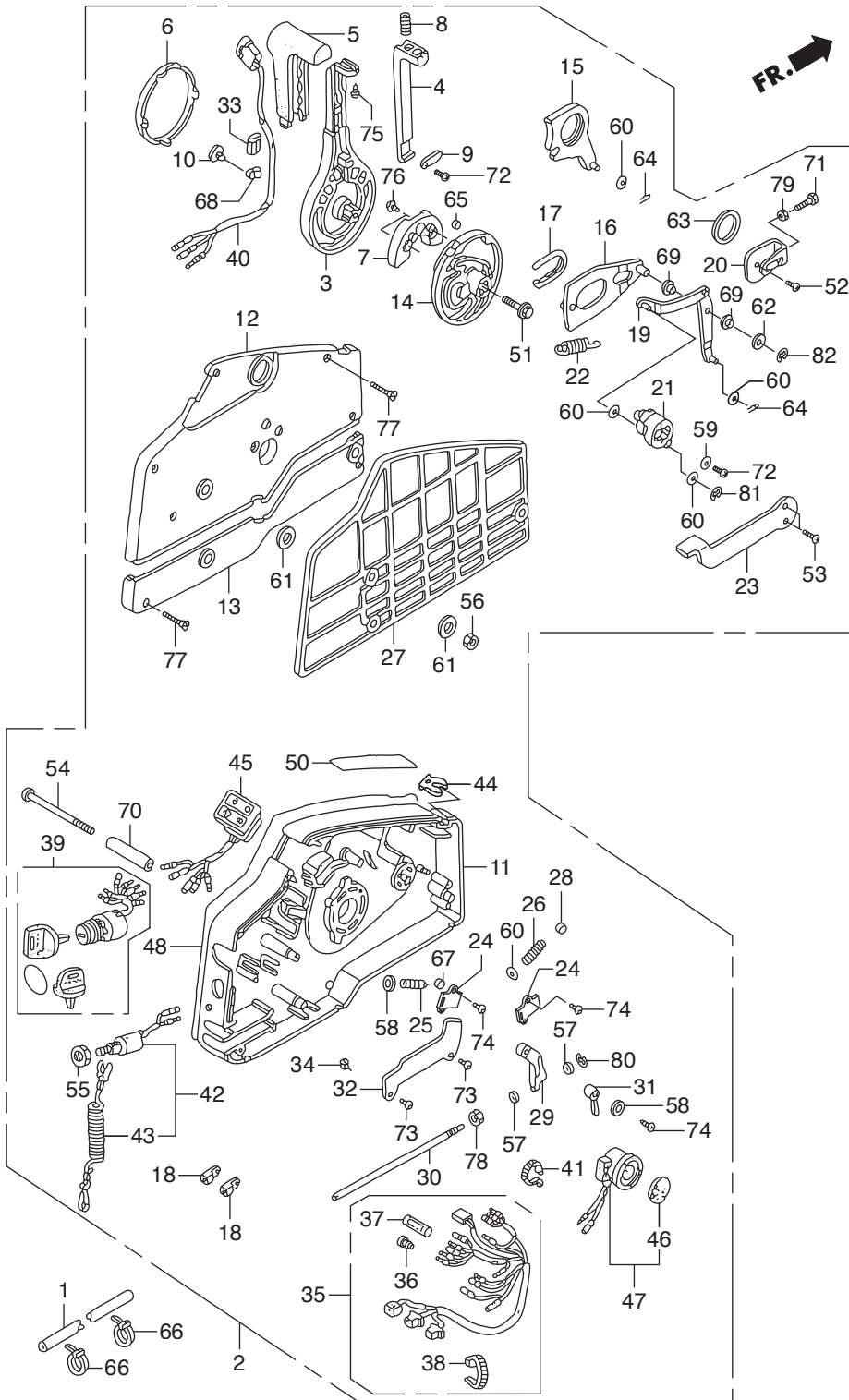
Ref.No.	Part No.	Description	Q' ty		Remarks	
			BFT60A	BFW60A		
F-11-20	31	HZW4-56192-H11	SPRING, VALVE	1	1	
F-11-20	32	HZZ3-56511-003	TUBE, OUTER	1	1	
F-11-20	33	HZV5-56512-000	BUSH, UPPER CYLINDER	2	2	
F-11-20	34	HZW4-56517-H11	PLATE, SET	1	1	
F-11-20	35	HZV5-56532-000	PIN, UPPER CYLINDER	1	1	
F-11-20	36	HZZ3-56851-003	RESERVOIR	1	1	
F-11-20	37	HZZ3-56860-003	CAP, OIL TANK	1	1	
F-11-20	38	HZV5-90001-791	SCREW-WASHER	4	4	
F-11-20	39	HZW4-90111-H11	BOLT, SOCKET, 5X0.8	4	4	
F-11-20	40	HZV5-90115-821	BOLT, SOCKET(B)	3	3	
F-11-20	41	HZV5-90119-000	SCREW, PAN, 6X8	1	1	
F-11-20	42	HZV5-90134-821	SCREW, PAN, 5X20	3	3	
F-11-20	43	HV15-90402-003	WASHER, SEAL	1	1	
F-11-20	44	HZW4-90921-H11	BALL, STEEL	1	1	
F-11-20	45	HZV5-91203-821	OIL SEAL	1	1	
F-11-20	46	HZZ3-91254-003	SEAL, WATER	1	1	
F-11-20	47	HZV5-91302-821	O-RING, 1.8X69.6	1	1	
F-11-20	48	HZV5-91304-821	O-RING, 1.5X6.5	2	2	
F-11-20	49	HZV5-91311-822	O-RING, 1.5X3.5	1	1	
F-11-20	50	HZV5-91318-822	O-RING, 2.0X55.5	1	1	
F-11-20	51	HZW4-91351-H11	O-RING, 2.0X52.5	1	1	
F-11-20	52	HZW4-91352-H11	O-RING, 2.0X49.5	1	1	
F-11-20	53	HZZ3-91353-003	O-RING, 3.5X41.7	1	1	
F-11-20	54	HZZ3-91354-003	O-RING, 2.4X41.2	1	1	
F-11-20	55	HZW4-91355-H11	O-RING, 1.8X10.8	1	1	
F-11-20	56	HZZ3-91355-003	O-RING, 2.0X45.5	1	1	
F-11-20	57	HZW4-91356-H11	O-RING, 2.0X28.5	1	1	
F-11-20	58	HZW4-91357-H11	O-RING, 2.0X34.5	1	1	
F-11-20	59	HZZ3-91357-003	O-RING, 1.9X15.8	1	1	



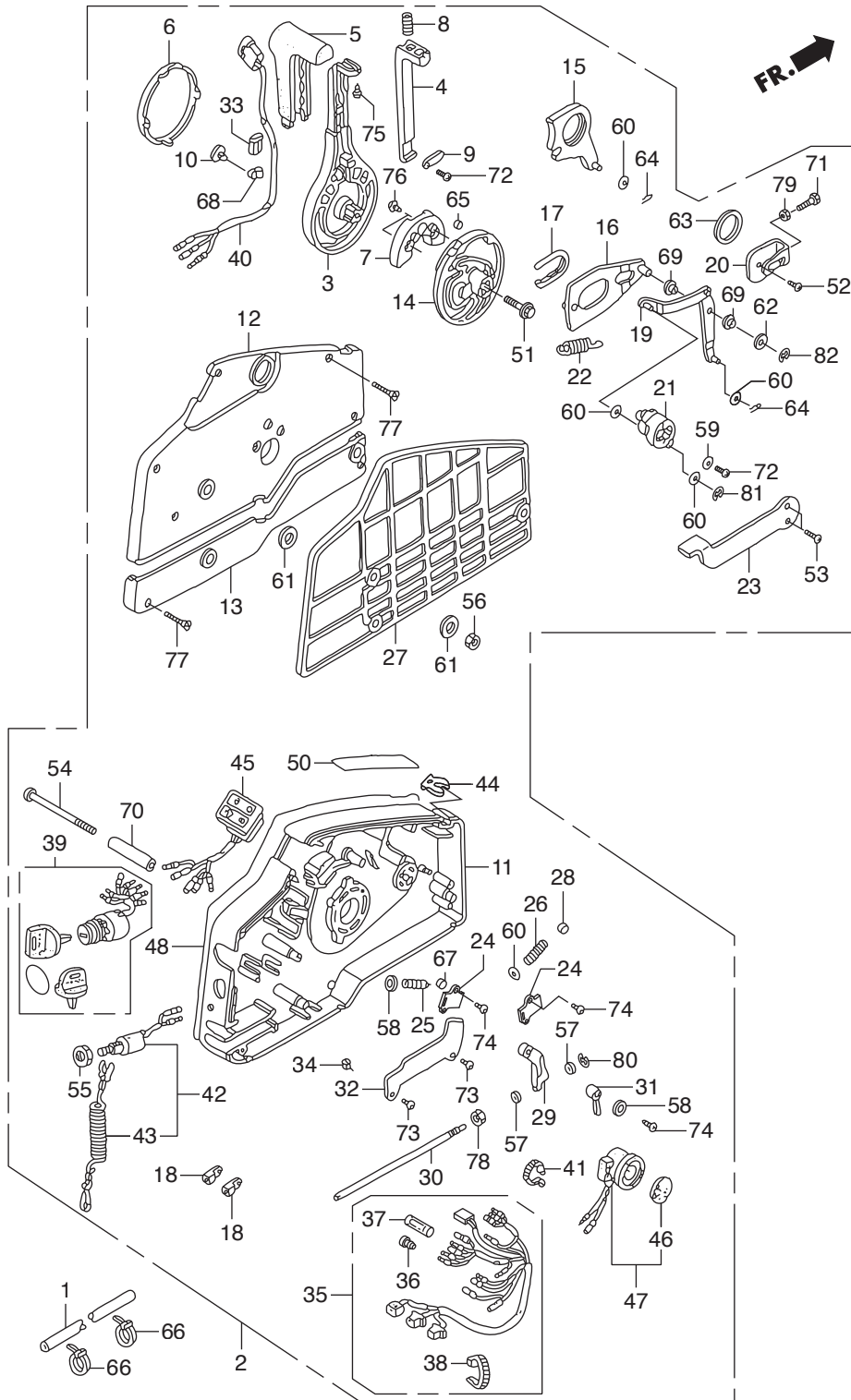
Ref.No.	Part No.	Description	Q' ty		Remarks	
			BFT60A	BFW60A		
F-11-20	60	HZW4-91359-H11	O-RING, 2.4X15.8	1	1	
F-11-20	61	HS0A-91541-003	CLIP, HARNESS BAND(BLACK)	2	2	(145MM)
F-11-20	62	HCO-94540-10029	E-RING, 10MM	2	2	
F-11-20	63	HZZ3-90302-003	NUT, JOINT METAL	1	1	



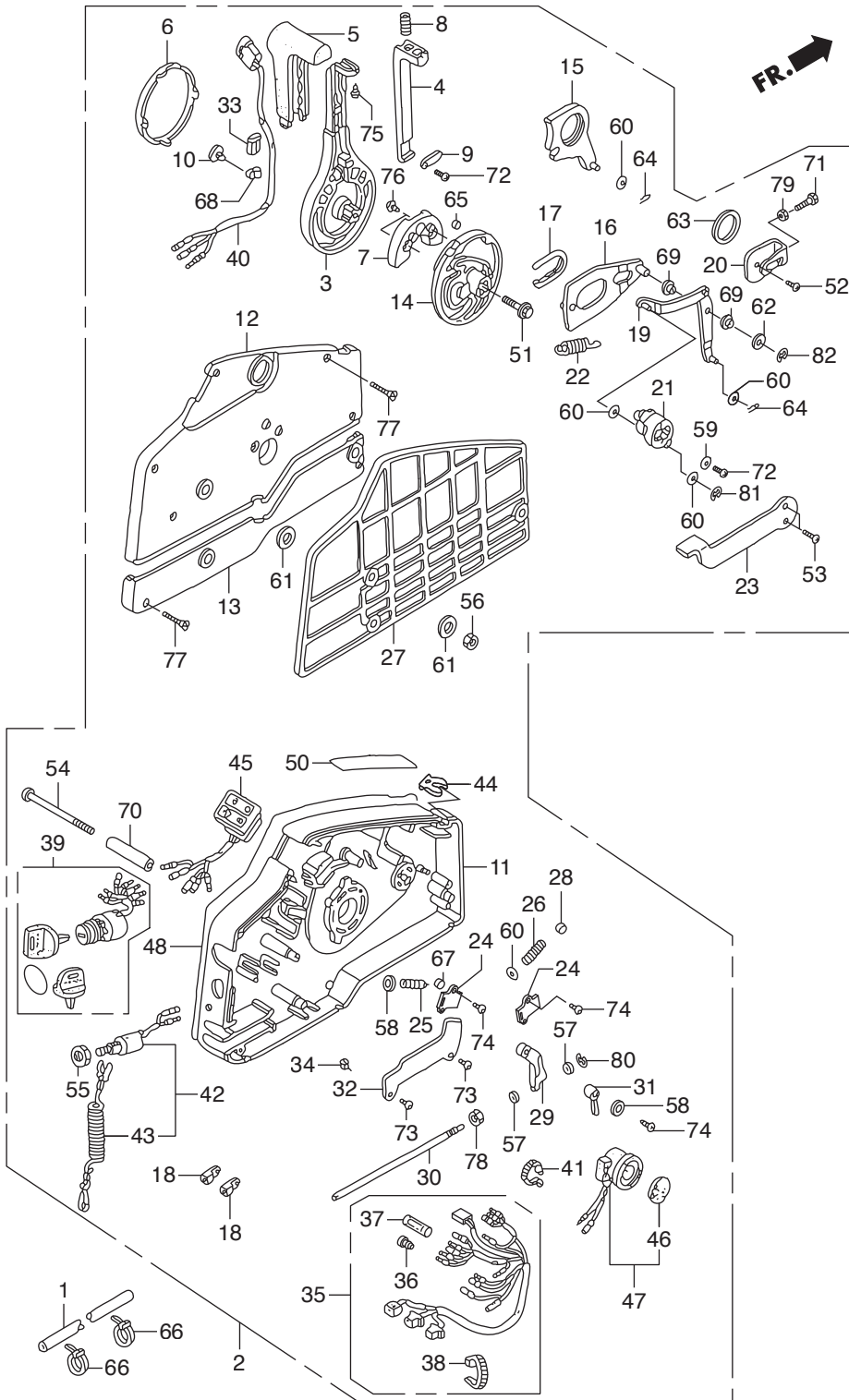




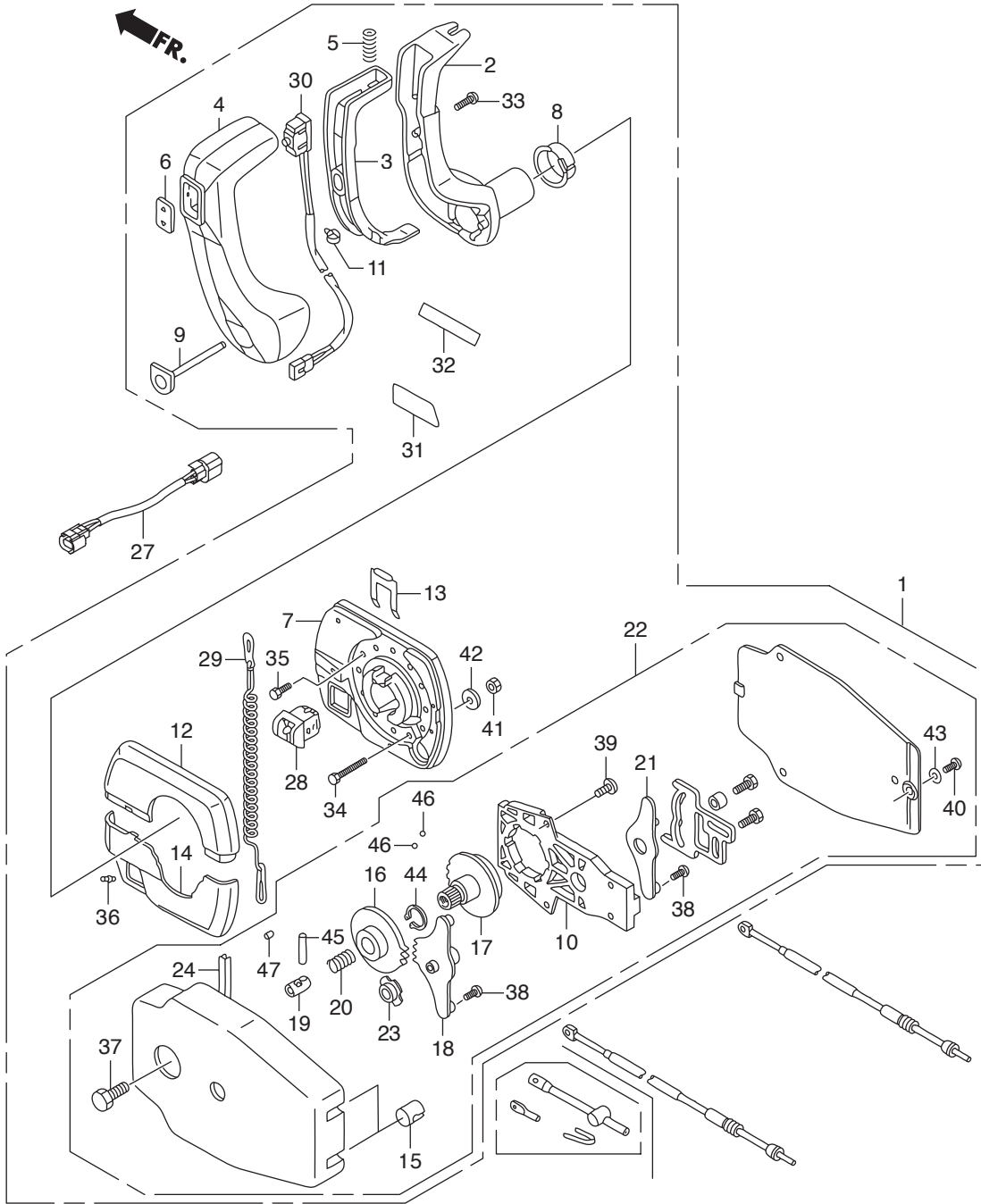
Ref.No.	Part No.	Description	Q' ty		Remarks	
			BFT60A	BFW60A		
F-15	1	HZW1-17736-000	TUBE, CORRUGATE(28MM)	1	1	
F-15	2	HZZ3-24800-R00	BOX ASSY., REMOTE CONTROL(EU)	1	1	
F-15	3	HZV5-24811-010	HANDLE, REMOTE CONTROL	1	1	
F-15	4	HZV5-24812-000	LEVER, HANDLE LOCK	1	1	
F-15	5	HZV5-24813-000	GRIP, REMOTE CONTROL HANDLE	1	1	
F-15	6	HZV5-24814-010	CAP, HANDLE	1	1	
F-15	7	HZV5-24815-010	BLOCK, NEUTRAL LOCK	1	1	
F-15	8	HZV5-24816-000	SPRING, REMOTE CONTROL HANDLE	1	1	
F-15	9	HZV5-24817-000	PLATE, LEVER SETTING	1	1	
F-15	10	HZV5-24818-003	CLAMP, HARNESS	1	1	
F-15	11	HZV5-24820-010	HOUSING COMP., REMOTE CONTROL	1	1	BOX(A)
F-15	12	HZV5-24830-010	HOUSING COMP., REMOTE CONTROL	1	1	BOX(B)
F-15	13	HZV5-24836-000	HOUSING, REMOTE CONTROL BOX(C)	1	1	
F-15	14	HZV5-24841-000	WHEEL, CONTROL	1	1	
F-15	15	HZV5-24845-000	ARM COMP., SHIFT LINK	1	1	
F-15	16	HZV5-24850-000	PLATE COMP., SLIDING	1	1	
F-15	17	HZV5-24854-000	COLLAR, SLIDING PLATE	1	1	
F-15	18	HZV5-24855-000	PIVOT, SHIFT	2	2	
F-15	19	HZV5-24860-000	ARM COMP., LINK JOINT	1	1	
F-15	20	HZV5-24865-000	BRACKET, LINK JOINT	1	1	
F-15	21	HZV5-24875-000	WHEEL, ACCELERATOR	1	1	
F-15	22	HZV5-24876-000	SPRING, ACCELERATOR WHEEL	1	1	
F-15	23	HZV5-24878-000	LEVER, IDLE	1	1	
F-15	24	HZV5-24881-000	PLATE, SPRING SETTING	2	2	
F-15	25	HZV5-24883-000	SPRING, SHIFT CLICK	1	1	
F-15	26	HZV5-24884-000	SPRING, CHOKE RETURN	1	1	
F-15	27	HZV5-24885-000	SPACER, REMOTE CONTROL BOX	1	1	
F-15	28	HZV5-24887-000	SPACER, CLICK SPRING	1	1	
F-15	29	HZV5-24891-000	BLOCK, THROTTLE FRICTION	1	1	



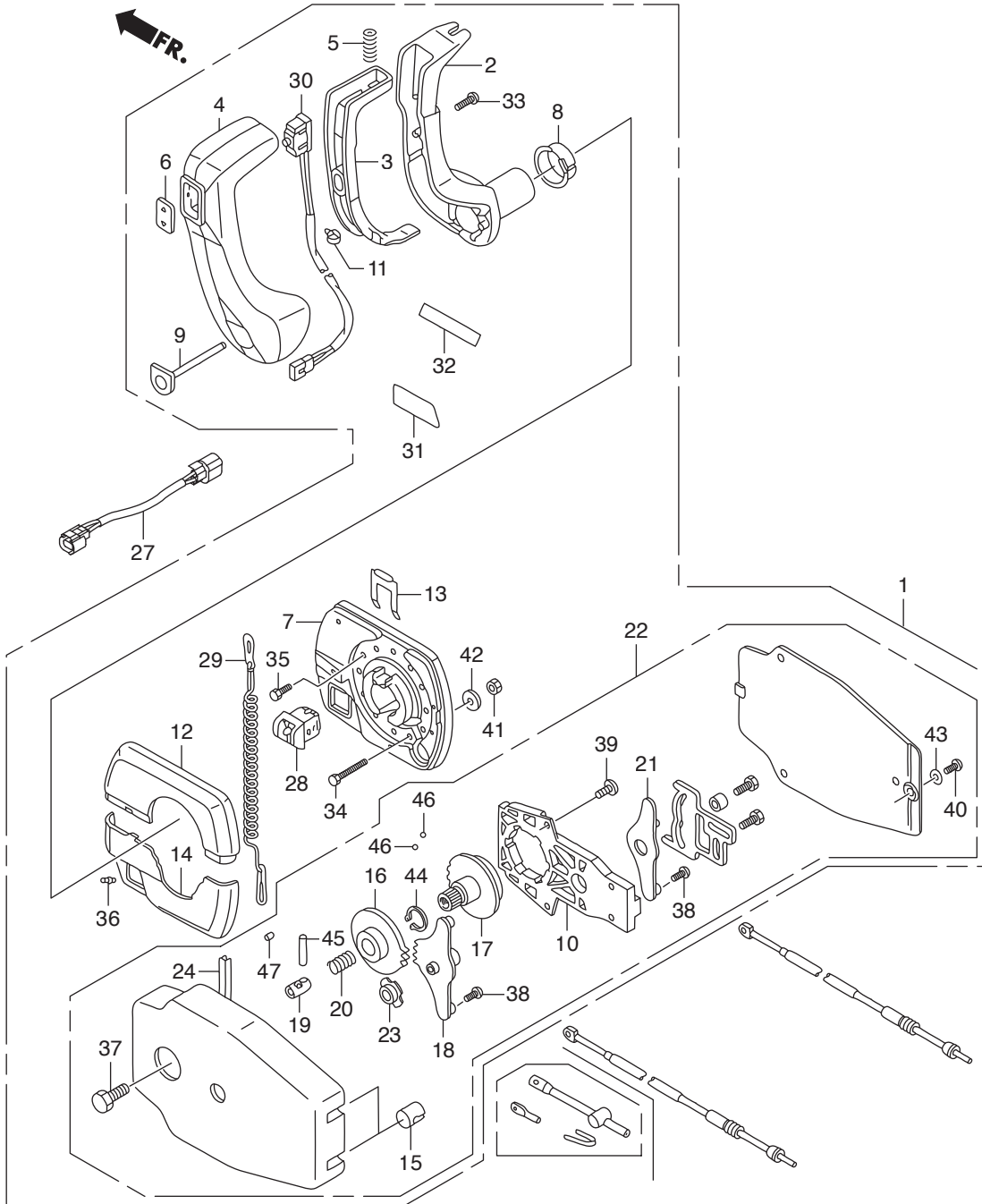
Ref.No.	Part No.	Description	Q' ty		Remarks	
			BFT60A	BFW60A		
F-15	30	HZV5-24892-000	BOLT, FRICTION	1	1	
F-15	31	HZV5-24894-000	SPACER, NEUTRAL SWITCH	1	1	
F-15	32	HZV5-24895-000	CLAMP, POWER TILT CORD	1	1	
F-15	33	HZV5-24897-000	PIPE, HARNESS GUIDE	1	1	
F-15	34	HZV5-24898-000	SPACER, CABLE CLAMP	1	1	
F-15	35	HZZ5-32530-000	CABLE ASSY., REMOTE CONTROL(B)	1	1	
F-15	36	HZV5-32823-003	PLUG, INNER CONNECTOR	7	7	
F-15	37	HZV5-32824-003	PLUG, OUTER CONNECTOR	1	1	
F-15	38	H952-32901-770	TIE, CABLE(NATURAL)(2.4X92)	1	1	
F-15	39	HZZ3-35100-R11	SWITCH ASSY., COMBINATION	1	1	
F-15	40	HZV5-35370-823	SWITCH ASSY., POWER TRIM-TILT	1	1	
F-15	41	HMG9-35701-950	BAND(BLACK 3.5X140)	1	1	
F-15	42	HZV5-36180-033	SWITCH ASSY., EMERGENCY STOP	1	1	
F-15	43	HZV4-36182-651	CORD COMP., EMERGENCY	1	1	
F-15	44	HZV4-36187-652	CLIP, EMERGENCY LOCK	1	1	
F-15	45	HZZ5-37210-013	LAMP ASSY., INDICATION	1	1	
F-15	46	H341-38403-672	PLATE, WINKER BUZZER	1	1	
F-15	47	HZV5-38410-003	BUZZER COMP., WARNING	1	1	
F-15	48	HZZ3-87701-R00	PLATE, REMOTE CONTROL	1	1	
F-15	50	HZW9-87702-800	MARK, FAST IDLE	1	1	
F-15	51	HZW9-90008-000	BOLT, FLANGE, 8X35	1	1	
F-15	52	HMM4-90105-000	SCREW, PAN, 6X10	1	1	
F-15	53	HZW4-90108-000	SCREW, FLAT, 5X12	2	2	
F-15	54	HZV5-90125-000	SCREW, 6X95	3	3	
F-15	55	H921-90302-000	NUT, HEX., 16MM	1	1	
F-15	56	HZV4-90304-000	NUT, HEX., 6MM	3	3	
F-15	57	HZW4-90401-000	WASHER, PLAIN, 4MM	2	2	
F-15	58	HZW4-90402-000	WASHER, PLAIN, 5MM	2	2	
F-15	59	HZV4-90502-000	WASHER, PLAIN, 5MM	1	1	



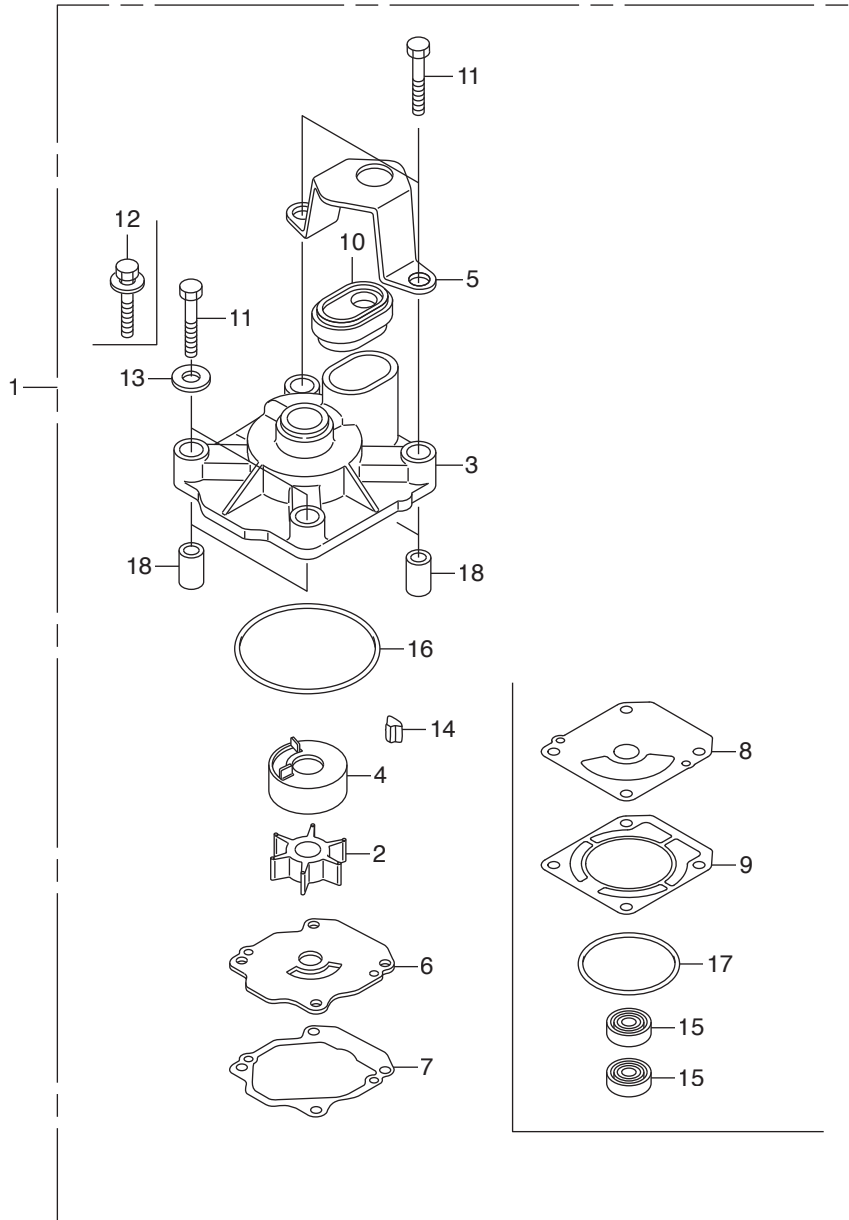
Ref.No.	Part No.	Description	Q' ty		Remarks	
			BFT60A	BFW60A		
F-15	60	H921-90504-010	WASHER, PLAIN, 6MM	5	5	
F-15	61	H921-90512-010	WASHER, 6MM	6	6	
F-15	62	H921-90518-000	WASHER, PLAIN, 8MM	1	1	
F-15	63	HZV5-90557-000	WASHER, 28MM	1	1	
F-15	64	HZV5-90751-000	PIN, LOCK, 6MM	2	2	
F-15	65	HZV5-90772-000	PIN, 6X6	1	1	
F-15	66	HMG9-91058-681	BAND, SELF LOCK	2	2	
F-15	67	HZV5-91151-000	ROLLER, CLICK	1	1	
F-15	68	HSB6-91475-000	CLIP, WIRE HARNESS(6.3MM)	1	1	
F-15	69	HZV5-91567-000	COLLAR, LINK JOINT	2	2	
F-15	70	HZV5-91570-000	COLLAR, DISTANCE, 6X10X43.5	3	3	
F-15	71	HCO-92101-05016-4J	BOLT, HEX., 5X16	1	1	
F-15	72	HCO-93500-05010-4J	SCREW, PAN, 5X10	2	2	
F-15	73	HCO-93901-250J0	SCREW, TAPPING, 5X8	2	2	
F-15	74	HCO-93901-251J0	SCREW, TAPPING, 5X10	3	3	
F-15	75	HCO-93901-252J0	SCREW, TAPPING, 5X12	1	1	
F-15	76	HCO-93903-262J0	SCREW, TAPPING, 6X16	2	2	
F-15	77	HCO-93905-255J0	SCREW, TAPPING, 5X25	7	7	
F-15	78	HCO-94001-06490-0S	NUT, HEX., 6MM	1	1	
F-15	79	HCO-94002-05490-0S	NUT, HEX., 5MM	1	1	
F-15	80	HCO-94540-03029	E-RING, 3MM	1	1	
F-15	81	HCO-94540-04029	E-RING, 4MM	1	1	
F-15	82	HCO-94540-07029	E-RING, 7MM	1	1	



Ref.No.	Part No.	Description	Q' ty		Remarks	
			BFT60A	BFW60A		
F-15-1	1	HZW1-24800-V21	BOX ASSY., REMOTE CONTROL	1	1	(PANEL MOUNT)
F-15-1	2	HZW1-24811-V21	HANDLE, REMOTE CONTROL	1	1	
F-15-1	3	HZW1-24812-V21	LEVER, HANDLE LOCK	1	1	
F-15-1	4	HZW1-24813-V21	GRIP, REMOTE CONTROL HANDLE	1	1	
F-15-1	5	HZW1-24816-V21	SPRING, REMOTE CONTROL HANDLE	1	1	
F-15-1	6	HZW1-24819-V21	COVER, GRIP	1	1	
F-15-1	7	HZW1-24820-V21	HOUSING ASSY., REMOTE CONTROL	1	1	BOX(A)
F-15-1	8	HZW1-24821-003	BUSHING	1	1	
F-15-1	9	HZW1-24822-V21	BUTTON, THROTTLE	1	1	
F-15-1	10	HZW1-24825-V01	FRAME ASSY., REMOTE CONTROL	1	1	BOX
F-15-1	11	HZW1-24829-003	BAND, CABLE(B)	1	1	
F-15-1	12	HZW1-24830-V21	HOUSING, REMOTE CONTROL BOX(B)	1	1	
F-15-1	13	HZW1-24834-003	RETAINER	1	1	
F-15-1	14	HZW1-24836-V21	HOUSING, REMOTE CONTROL BOX(C)	1	1	
F-15-1	15	HZW1-24839-V01	GROMMET	2	2	
F-15-1	16	HZW1-24841-V01	WHEEL, CONTROL	1	1	
F-15-1	17	HZW1-24843-V01	SHAFT, HANDLE	1	1	
F-15-1	18	HZW1-24845-V01	ARM ASSY., SHIFT LINK	1	1	
F-15-1	19	HZW1-24847-V01	SHAFT, GEAR SHIFT	1	1	
F-15-1	20	HZW1-24848-V01	SPRING, GEAR SHIFT	1	1	
F-15-1	21	HZW1-24865-V01	ARM ASSY., THROTTLE LINK	1	1	
F-15-1	22	HZW1-24870-V21	HOUSING ASSY., INNER	1	1	(PANEL MOUNT)
F-15-1	23	HZW1-24873-V01	BUSH	1	1	
F-15-1	24	HZW1-24883-V01	SPRING, SHIFT CLICK	5	5	
F-15-1	27	HZW5-32167-650	HARNES ASSY., POWER TRIM-TILT	1	1	
F-15-1	28	HZW1-35180-003	SWITCH ASSY., EMERGENCY STOP	1	1	
F-15-1	29	HZW1-35182-003	CORD COMP., EMERGENCY	1	1	
F-15-1	30	HZW1-35370-V01	SWITCH ASSY., POWER TRIM-TILT	1	1	(A)
F-15-1	31	HZW1-87705-003	MARK, REMOTE CONTROL(A)(PANEL)	1	1	

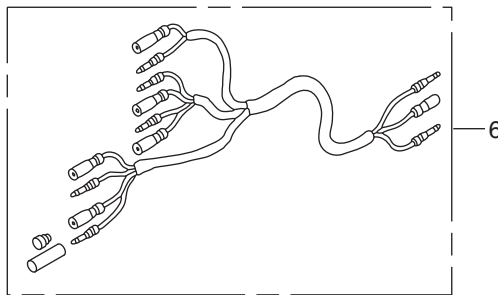
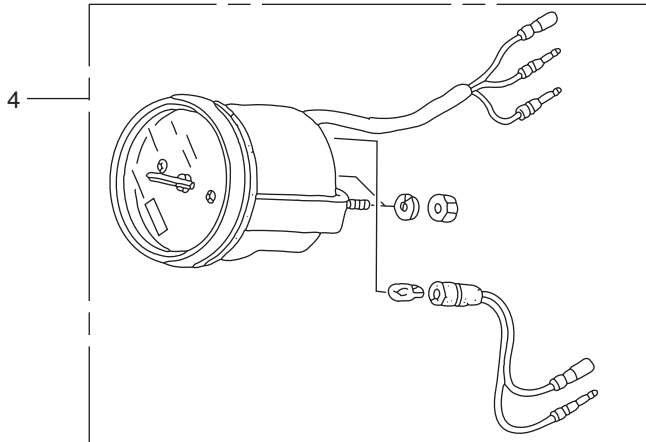
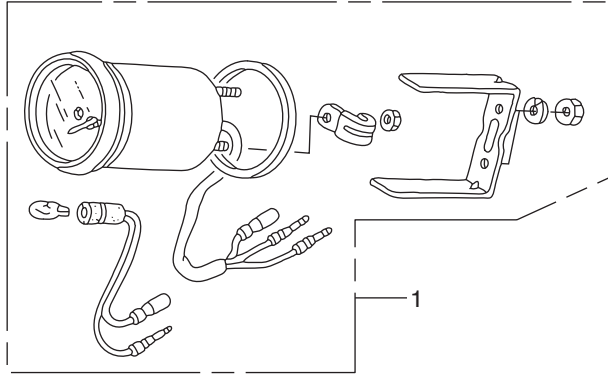


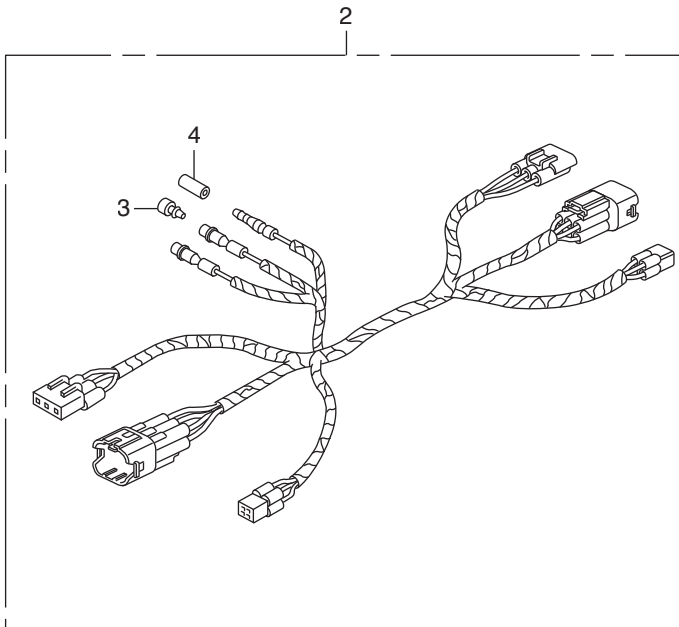
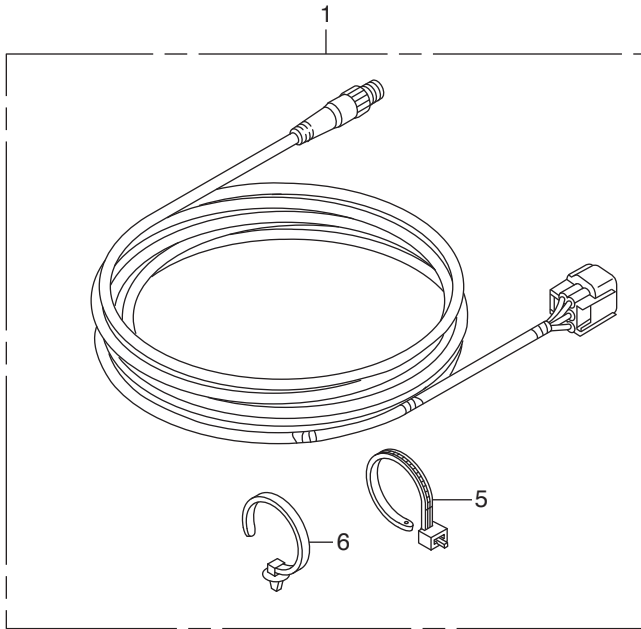
Ref.No.	Part No.	Description	Q' ty		Remarks	
			BFT60A	BFW60A		
F-15-1	32	HZW1-87706-003	MARK, REMOTE CONTROL(B)	1	1	(FOR STARBOARD)
F-15-1		HZW1-87707-003	MARK, REMOTE CONTROL(C)	1	1	(FOR PORT)
F-15-1	33	HZW1-90136-003	SCREW A	1	1	
F-15-1	34	HZW1-90137-003	SCREW B	3	3	
F-15-1	35	HZW1-90138-003	SCREW C	3	3	
F-15-1	36	HZW1-90139-003	SCREW, FRICTION	1	1	
F-15-1	37	HZW1-90140-003	BOLT	1	1	
F-15-1	38	HZW1-90142-003	SCREW(8-32X3/8)	2	2	
F-15-1	39	HZW1-90143-003	SCREW(10-32X3/8)	4	4	
F-15-1	40	HZW1-90145-003	SCREW(10-32X5/8)	3	3	
F-15-1	41	HZW1-90314-003	NUT(1/4X20)	3	3	
F-15-1	42	HZW1-90551-003	WASHER	3	3	
F-15-1	43	HZW1-90552-003	WASHER	1	1	
F-15-1	44	HZW1-90653-003	CIRCLIP, EXTERNAL	1	1	
F-15-1	45	HZW1-90753-003	PIN, GEARSHIFT	1	1	
F-15-1	46	HZW1-90953-003	BALL, STEEL	2	2	
F-15-1	47	HZW1-91553-003	ROLLER, SHIFT CLICK	1	1	



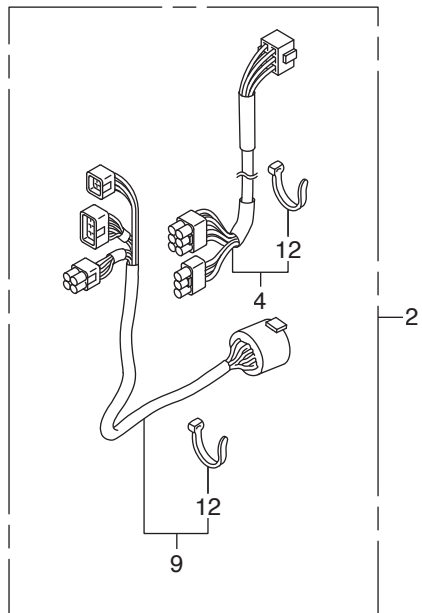
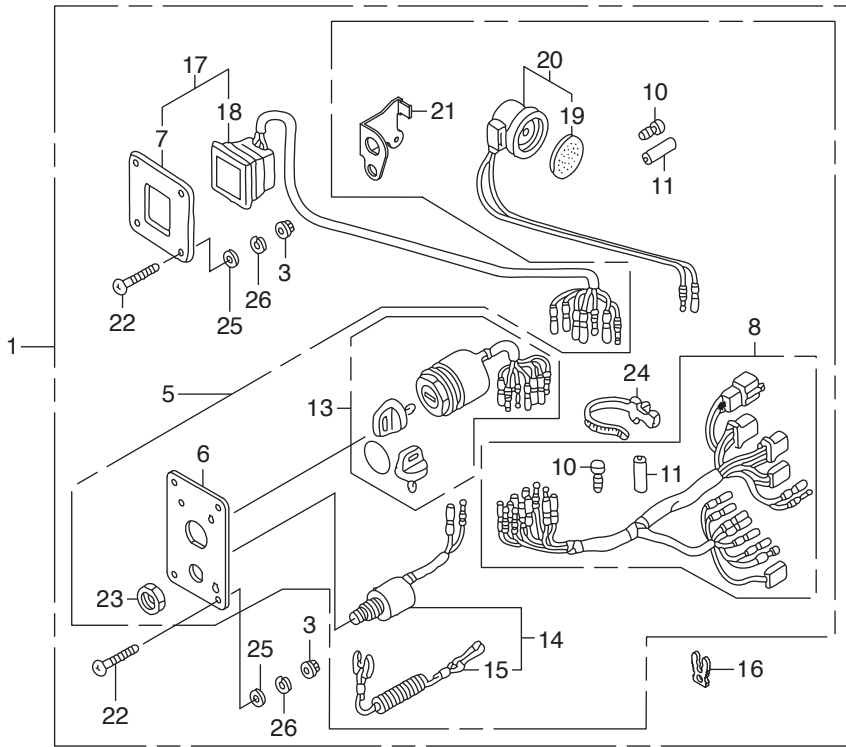
Ref.No.	Part No.	Description	Q' ty		Remarks
			BFT60A	BFW60A	
FOP-1	1	HZZ3-06193-010	PUMP KIT, IMPELLER	1	
FOP-1		HZZ3-06194-000	PUMP KIT, IMPELLER		1 (POWER THRUST)
FOP-1	2	HZV5-19210-003	IMPELLER, PUMP	1	1
FOP-1	3	HZZ3-19221-000	HOUSING, IMPELLER	1	1
FOP-1	4	HZZ3-19223-000	LINER, PUMP	1	1
FOP-1	5	HZZ3-19228-000	HOLDER, WATER TUBE SEAL	1	1
FOP-1	6	HZZ3-19231-000	COVER, IMPELLER	1	1
FOP-1	7	HZZ3-19234-000	GASKET, IMPELLER	1	
FOP-1	8	HZZ3-19234-E00	GASKET B, IMPELLER		1 (POWER THRUST)
FOP-1	9	HZW1-19242-B00	GASKET, WATER PUMP		1
FOP-1	10	HZZ3-19253-000	RUBBER, WATER TUBE SEAL	1	1
FOP-1	11	H881-90116-000	BOLT, HEX., 8X40	2	
FOP-1		HZV5-90010-000	BOLT, HEX., 8X55		4
FOP-1	12	HZY6-90116-000	BOLT-WASHER, 8X40	2	
FOP-1	13	H921-90514-000	WASHER, 8MM		2
FOP-1	14	HZV5-90752-003	KEY, WOODRUFF	1	1
FOP-1	15	HZZ3-91253-003	SEAL, WATER, 23X36X6		2
FOP-1	16	HZZ3-91356-000	O-RING, WATER PUMP	1	1
FOP-1	17	HMB0-91359-000	O-RING, 58.5X3.5		1
FOP-1	18	HZY6-91552-000	COLLAR, DISTANCE	4	4

FOP-2-1 METER

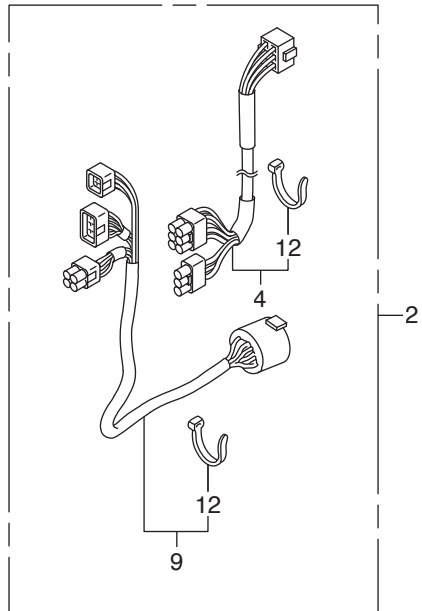
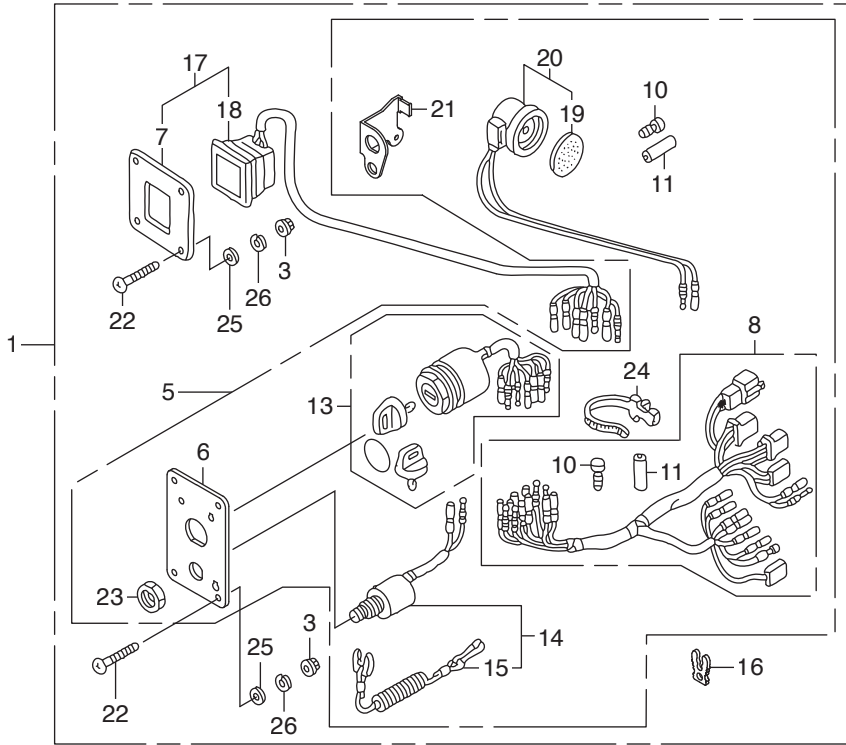


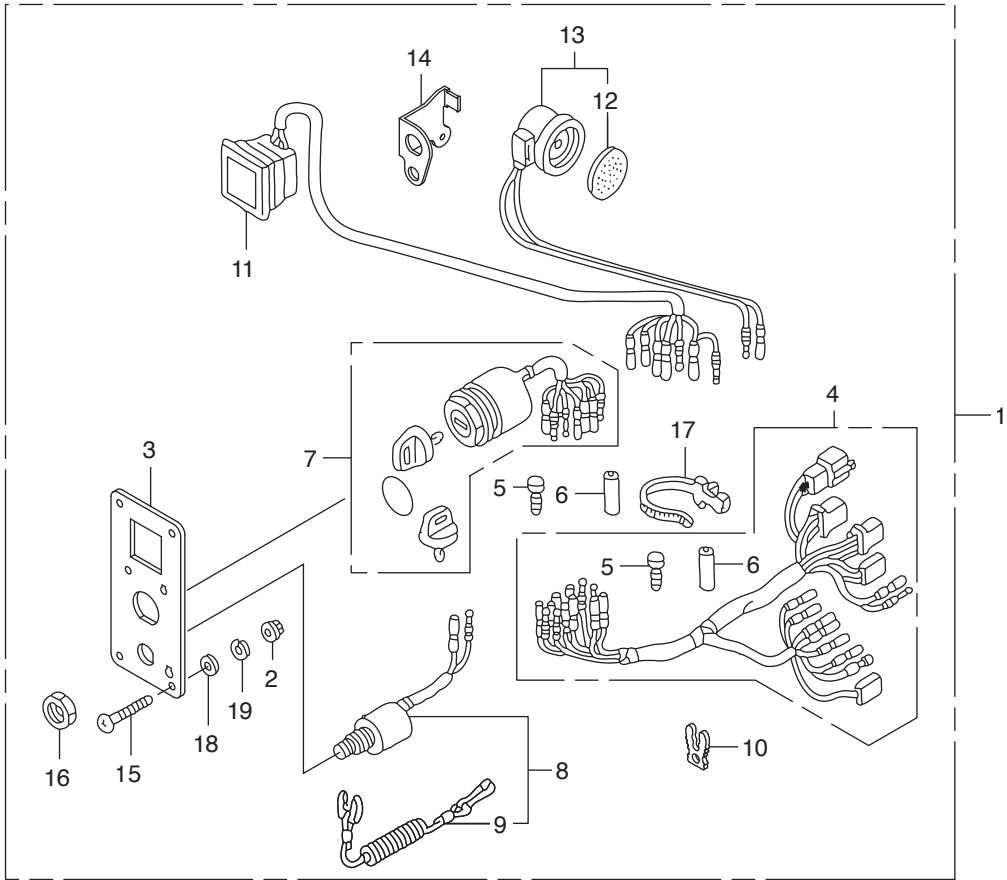


Ref.No.		Part No.	Description	Q' ty		Remarks
				BFT60A	BFW60A	
FOP-2-4	1	HZZ3-06328-762	KIT, CABLE(NMEA)(6FT)	1	1	
FOP-2-4	2	HZZ3-32186-000	HARNES ASSY., REMOTE CONTROL	1	1	SUB
FOP-2-4	3	HZV5-32823-003	PLUG, INNER CONNECTOR	2	2	
FOP-2-4	4	HZV5-32824-003	PLUG, OUTER CONNECTOR	1	1	
FOP-2-4	5	HZY1-90650-003	TIE, CABLE	2	2	
FOP-2-4	6	HSTK-91540-003	CLIP, HARNESS BAND(BLACK)	2	2	(155.3MM)



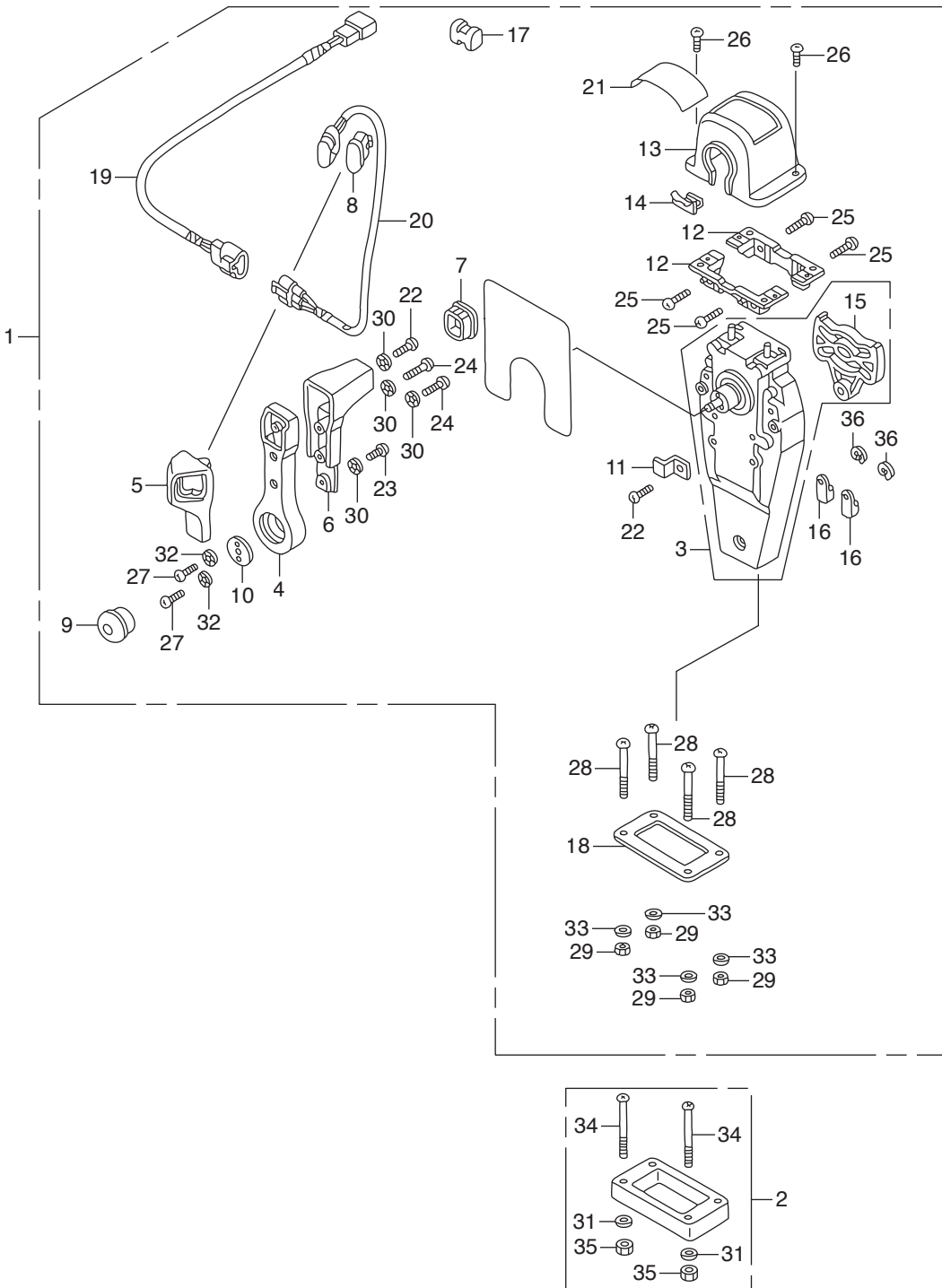
Ref.No.	Part No.	Description	Q' ty		Remarks	
			BFT60A	BFW60A		
FOP-3	1	HZZ3-06323-R20	PANEL KIT, SWITCH(B)(4-LED)	1	1	
FOP-3	2	HZZ5-06325-600	CABLE SET, PANEL INDICATOR	1	1	(20FT)
FOP-3		HZZ5-06325-700	CABLE SET, PANEL INDICATOR	1	1	(25FT)
FOP-3		HZZ5-06325-800	CABLE SET, PANEL INDICATOR	1	1	(30FT)
FOP-3	3	HMT8-18334-770	NUT, FLANGE, 5MM	8	8	
FOP-3	4	HZZ5-32185-600	CORD ASSY., INDICATOR(20FT)	1	1	
FOP-3		HZZ5-32185-700	CORD ASSY., INDICATOR(25FT)	1	1	
FOP-3		HZZ5-32185-800	CORD ASSY., INDICATOR(30FT)	1	1	
FOP-3	5	HZZ3-32341-R31	PANEL ASSY., SWITCH	1	1	
FOP-3	6	HZZ3-32346-R21	PANEL, CONTROL	1	1	
FOP-3	7	HZZ3-32347-R01	PANEL, CONTROL	1	1	
FOP-3	8	HZZ5-32545-000	HARNESS ASSY., SWITCH PANEL	1	1	
FOP-3	9	HZZ5-32580-600	CABLE ASSY., SWITCH PANEL	1	1	(20FT)
FOP-3		HZZ5-32580-700	CABLE ASSY., SWITCH PANEL	1	1	(25FT)
FOP-3		HZZ5-32580-800	CABLE ASSY., SWITCH PANEL	1	1	(30FT)
FOP-3	10	HZV5-32823-003	PLUG, INNER CONNECTOR	8	8	
FOP-3	11	HZV5-32824-003	PLUG, OUTER CONNECTOR	3	3	
FOP-3	12	H952-32901-770	TIE, CABLE(NATURAL)(2.4X92)	6	6	
FOP-3	13	HZZ3-35100-R11	SWITCH ASSY., COMBINATION	1	1	
FOP-3	14	HZV5-36180-033	SWITCH ASSY., EMERGENCY STOP	1	1	
FOP-3	15	HZV4-36182-651	CORD COMP., EMERGENCY	1	1	
FOP-3	16	HZV4-36187-652	CLIP, EMERGENCY LOCK	1	1	
FOP-3	17	HZZ3-37205-R01	PANEL ASSY., INDICATOR(4-LED)	1	1	
FOP-3	18	HZZ5-37210-762	LAMP ASSY., INDICATION(4-LED)	1	1	
FOP-3	19	H341-38403-672	PLATE, WINKER BUZZER	1	1	
FOP-3	20	HZV5-38410-003	BUZZER COMP., WARNING	1	1	
FOP-3	21	HZZ5-38414-003	BRACKET, BUZZER	1	1	
FOP-3	22	HZW5-90109-000	SCREW, PAN, 5X40	8	8	
FOP-3	23	H921-90302-000	NUT, HEX., 16MM	1	1	





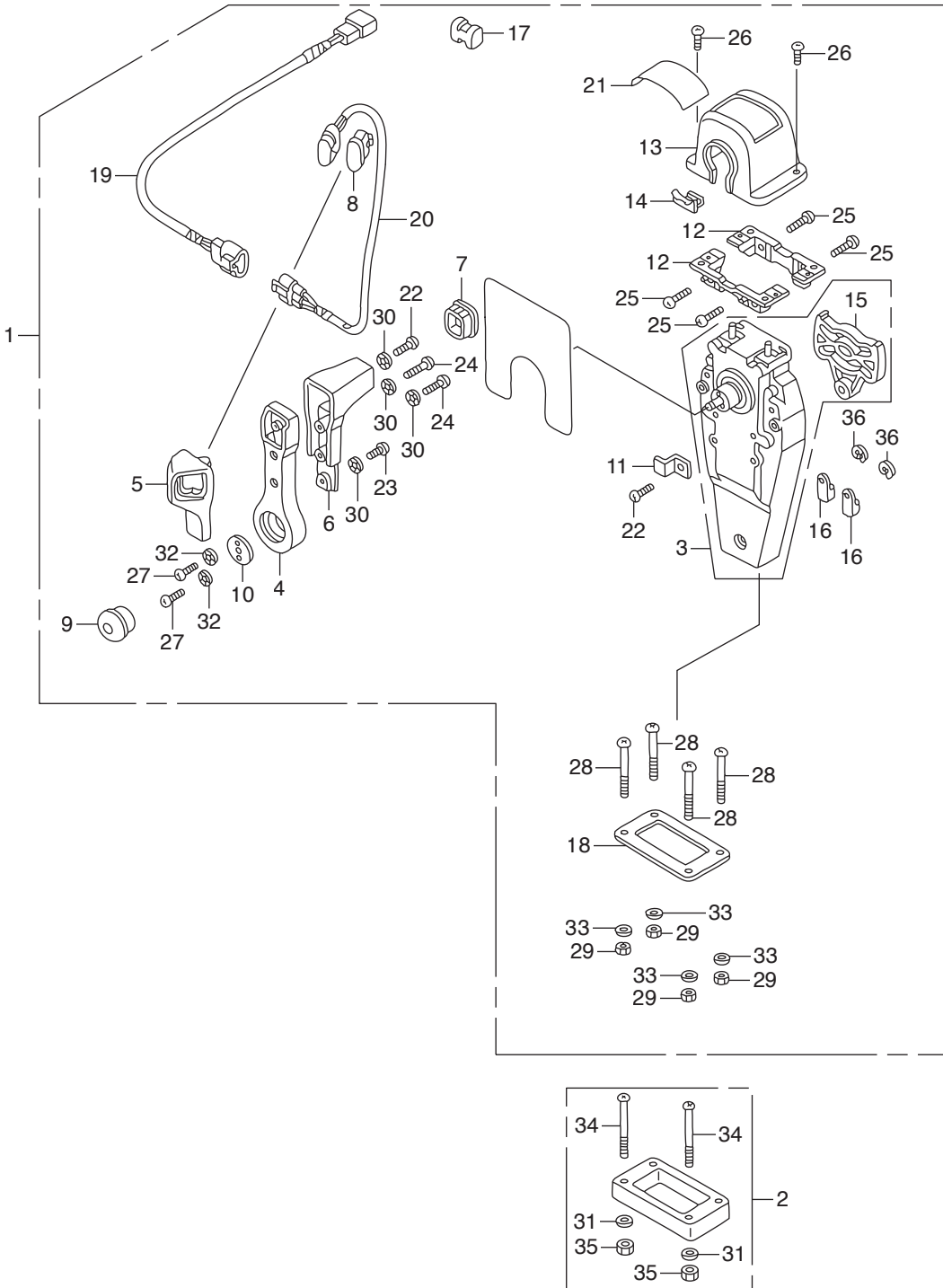
Ref.No.	Part No.	Description	Q'ty		Remarks	
			BFT60A	BFW60A		
FOP-3-1	1	HZZ3-06323-R30	PANEL KIT, SWITCH(4-LED)	1	1	
FOP-3-1	2	HMT8-18334-770	NUT, FLANGE, 5MM	4	4	
FOP-3-1	3	HZZ3-32346-R31	PANEL, CONTROL	1	1	
FOP-3-1	4	HZZ5-32545-000	HARNES ASSY., SWITCH PANEL	1	1	
FOP-3-1	5	HZV5-32823-003	PLUG, INNER CONNECTOR	8	8	
FOP-3-1	6	HZV5-32824-003	PLUG, OUTER CONNECTOR	3	3	
FOP-3-1	7	HZZ3-35100-R11	SWITCH ASSY., COMBINATION	1	1	
FOP-3-1	8	HZV5-36180-033	SWITCH ASSY., EMERGENCY STOP	1	1	
FOP-3-1	9	HZV4-36182-651	CORD COMP., EMERGENCY	1	1	
FOP-3-1	10	HZV4-36187-652	CLIP, EMERGENCY LOCK	1	1	
FOP-3-1	11	HZZ5-37210-712	LAMP ASSY., INDICATION(4-LED)	1	1	
FOP-3-1	12	H341-38403-672	PLATE, WINKER BUZZER	1	1	
FOP-3-1	13	HZV5-38410-003	BUZZER COMP., WARNING	1	1	
FOP-3-1	14	HZZ5-38414-003	BRACKET, BUZZER	1	1	
FOP-3-1	15	HZW5-90109-000	SCREW, PAN, 5X40	4	4	
FOP-3-1	16	H921-90302-000	NUT, HEX., 16MM	1	1	
FOP-3-1	17	HSC2-90649-003	BAND, WIRE HARNESS(NATURAL)	1	1	(150MM)
FOP-3-1	18	HCO-94103-05400	WASHER, PLAIN, 5MM	4	4	
FOP-3-1	19	HCO-94111-05400	WASHER, SPRING, 5MM	4	4	

REMOTE CONTROL BOX
(TOP MOUNT SINGLE TYPE) (RIGHT)

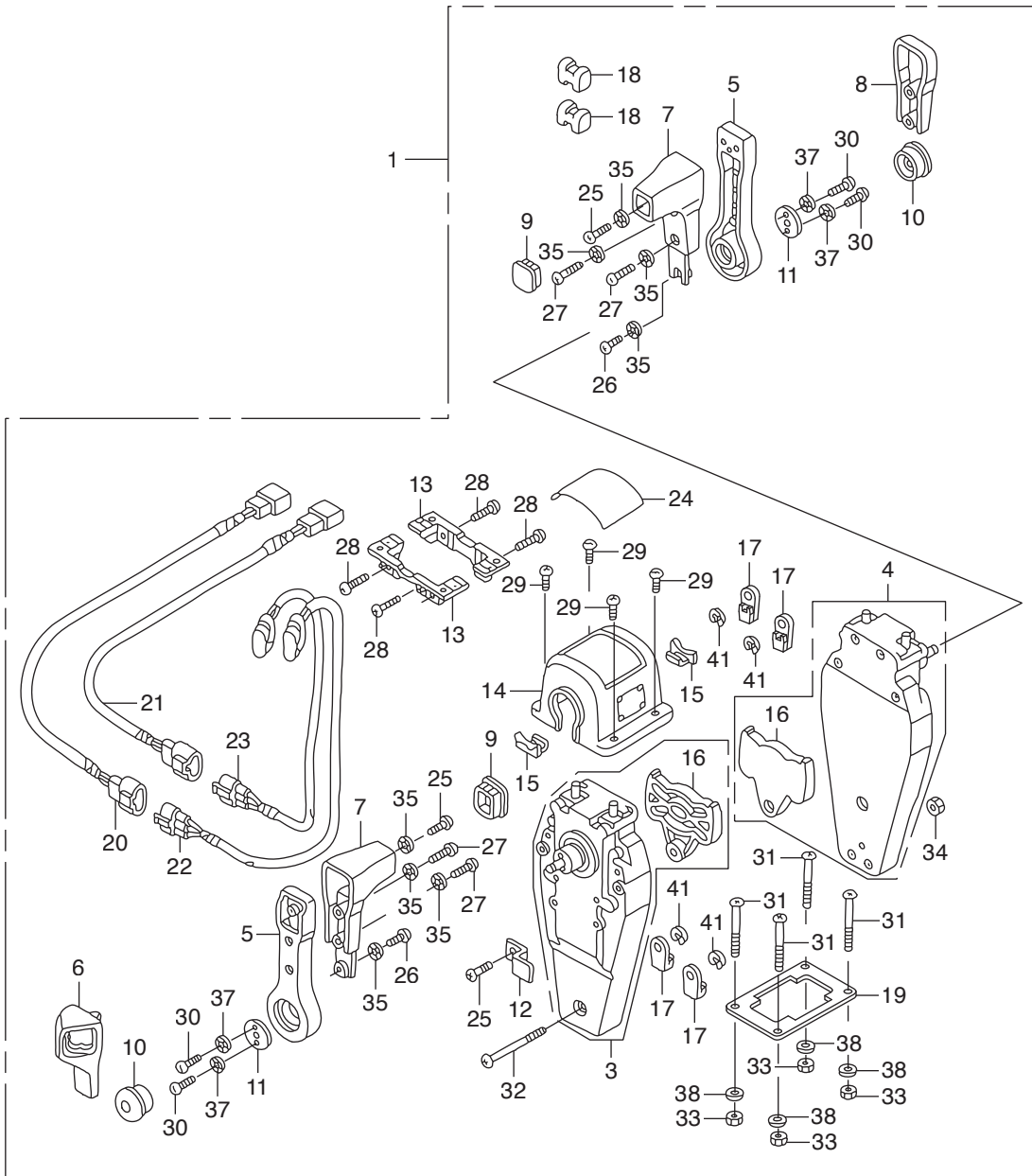


Ref.No.	Part No.	Description	Q'ty		Remarks	
			BFT60A	BFW60A		
FOP-4	1	HZZ3-06240-R30	BOX KIT, REMOTE CONTROL	1	1	(TOP MOUNT SINGLE)(R.)
FOP-4	2	HZW5-06241-U00	SPACER KIT, REMOTE CONTROL BOX	1	1	(TOP MOUNT SINGLE)
FOP-4	3	HZW5-24810-U01	HOUSING ASSY., L. INNER	1	1	(TOP MOUNT)
FOP-4	4	HZW5-24811-U01	HANDLE, REMOTE CONTROL	1	1	
FOP-4	5	HZW5-24812-U01	COVER, L. GRIP	1	1	
FOP-4	6	HZW5-24813-U01	GRIP, REMOTE CONTROL HANDLE	1	1	
FOP-4	7	HZW5-24814-U01	CAP, GRIP	1	1	
FOP-4	8	HZW5-24815-U01	CAP, SWITCH	1	1	
FOP-4	9	HZW5-24816-U01	BUTTON, THROTTLE	1	1	
FOP-4	10	HZW5-24817-U01	PLATE, HANDLE	1	1	
FOP-4	11	HZW5-24818-U01	PLATE, CABLE CLAMP	1	1	
FOP-4	12	HZW5-24819-U01	BRACKET, REMOTE CONTROL	2	2	HOUSING
FOP-4	13	HZZ3-24820-R11	HOUSING COMP., REMOTE CONTROL	1	1	BOX
FOP-4	14	HZW5-24825-U01	HOUSING, LEAD	1	1	
FOP-4	15	HZW5-24826-U01	PLATE, DWELL	1	1	
FOP-4	16	HZW5-24831-U01	TERMINAL, CABLE	2	2	
FOP-4	17	HZW5-24832-U01	SPACER, CABLE CLAMP	1	1	
FOP-4	18	HZW5-24834-U01	PACKING, SINGLE	1	1	
FOP-4	19	HZW7-32530-U00	SUB HARNESS ASSY., POWER	1	1	TRIM-TILT(A)
FOP-4	20	HZW5-35370-U02	SWITCH ASSY., POWER TRIM-TILT	1	1	(A)
FOP-4	21	HZZ3-87703-R81	MARK, REMOTE CONTROL(SINGLE)	1	1	
FOP-4	22	HZW5-90101-U00	SCREW, PAN, 5X16	2	2	
FOP-4	23	HZW5-90102-U00	SCREW, PAN, 5X10	1	1	
FOP-4	24	HZW5-90103-U01	SCREW, PAN, 5X20	2	2	
FOP-4	25	HZW5-90104-U00	SCREW, PAN, 5X18	4	4	
FOP-4	26	HZW5-90105-U01	SCREW, PAN, 4X10	2	2	
FOP-4	27	HZW5-90106-U00	SCREW, PAN, 6X18	2	2	
FOP-4	28	HZW5-90107-U00	SCREW, PAN, 5X40	4	4	
FOP-4	29	HZW5-90301-U00	NUT, HEX., 5MM	4	4	

REMOTE CONTROL BOX
(TOP MOUNT SINGLE TYPE) (RIGHT)

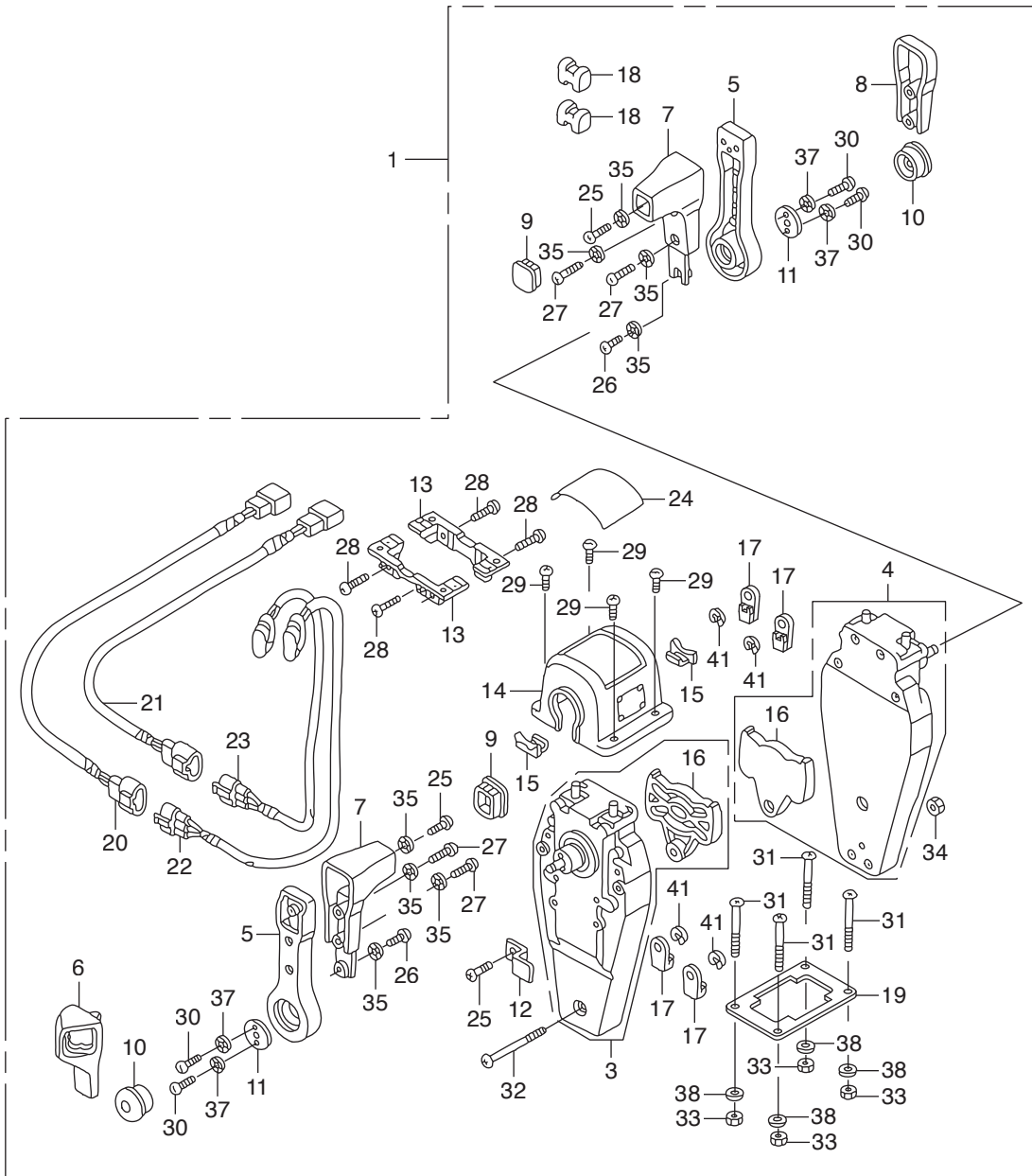


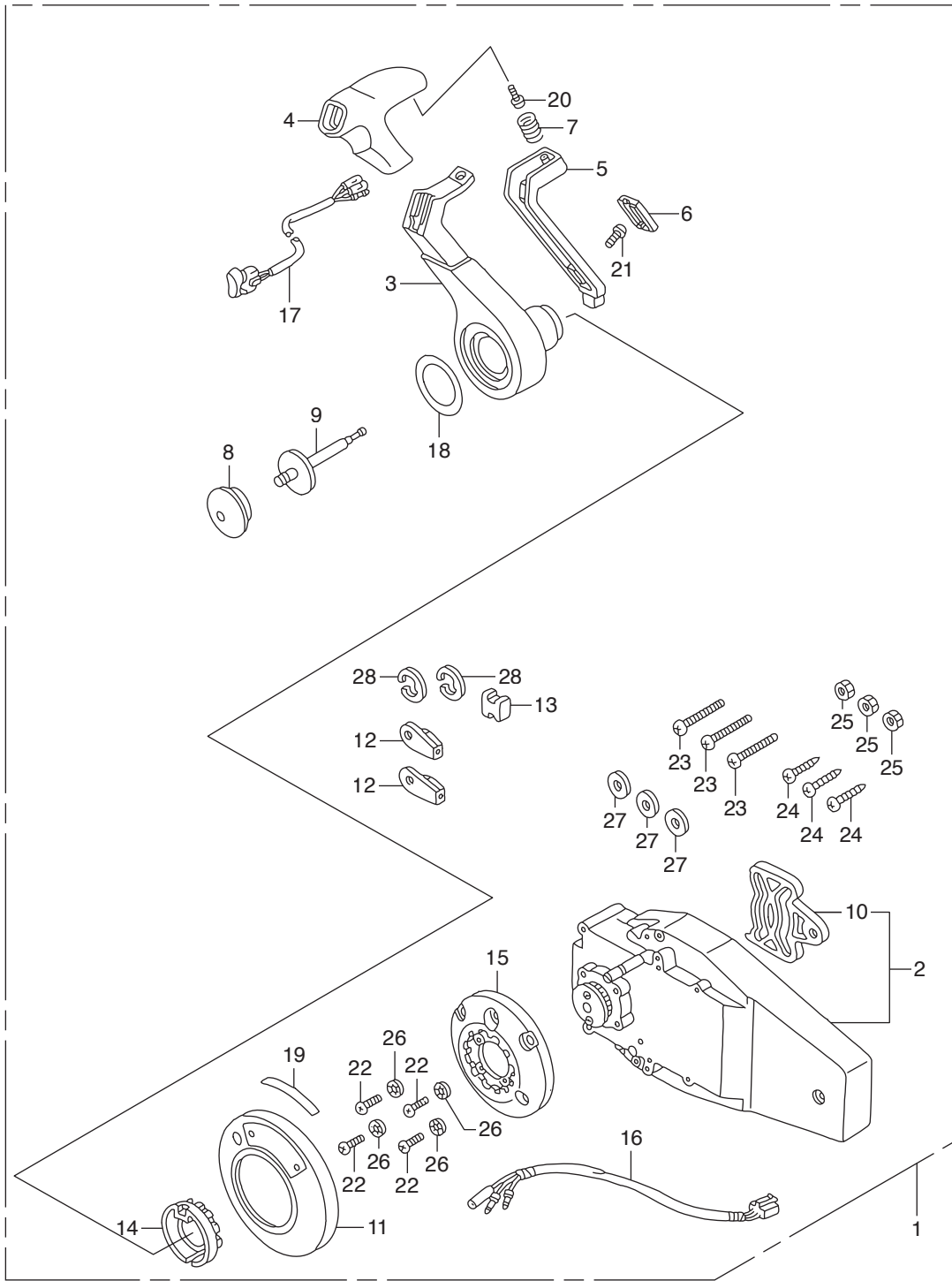
REMOTE CONTROL BOX
(TOP MOUNT DUAL TYPE) (RIGHT)



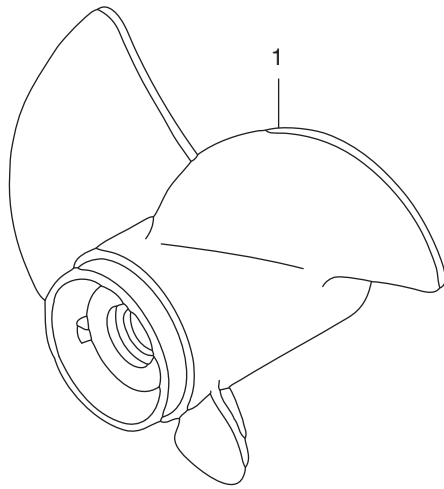
Ref.No.	Part No.	Description	Q' ty		Remarks	
			BFT60A	BFW60A		
FOP-4-2	1	HZZ3-06240-R60	BOX KIT, REMOTE CONTROL	1	1	(TOP MOUNT DUAL)(R.)
FOP-4-2	2	HZW5-06241-U10	SPACER KIT, REMOTE CONTROL BOX	1	1	(TOP MOUNT DUAL)
FOP-4-2	3	HZW5-24810-U01	HOUSING ASSY., L. INNER	1	1	(TOP MOUNT)
FOP-4-2	4	HZW5-24810-U11	HOUSING ASSY., R. INNER	1	1	(TOP MOUNT)
FOP-4-2	5	HZW5-24811-U01	HANDLE, REMOTE CONTROL	2	2	
FOP-4-2	6	HZW5-24812-U01	COVER, L. GRIP	1	1	
FOP-4-2	7	HZW5-24813-U01	GRIP, REMOTE CONTROL HANDLE	2	2	
FOP-4-2	8	HZW5-24813-U21	COVER, DUAL GRIP	1	1	
FOP-4-2	9	HZW5-24814-U01	CAP, GRIP	2	2	
FOP-4-2	10	HZW5-24816-U01	BUTTON, THROTTLE	2	2	
FOP-4-2	11	HZW5-24817-U01	PLATE, HANDLE	2	2	
FOP-4-2	12	HZW5-24818-U01	PLATE, CABLE CLAMP	1	1	
FOP-4-2	13	HZW5-24819-U01	BRACKET, REMOTE CONTROL	2	2	HOUSING
FOP-4-2	14	HZZ3-24820-R21	HOUSING COMP., REMOTE CONTROL	1	1	BOX(DUAL)
FOP-4-2	15	HZW5-24825-U01	HOUSING, LEAD	2	2	
FOP-4-2	16	HZW5-24826-U01	PLATE, DWELL	2	2	
FOP-4-2	17	HZW5-24831-U01	TERMINAL, CABLE	4	4	
FOP-4-2	18	HZW5-24832-U01	SPACER, CABLE CLAMP	2	2	
FOP-4-2	19	HZW5-24834-U21	PACKING, DUAL	1	1	
FOP-4-2	20	HZW7-32530-U00	SUB HARNESS ASSY., POWER	1	1	TRIM-TILT(A)
FOP-4-2	21	HZW7-32530-U10	SUB HARNESS ASSY., POWER	1	1	TRIM-TILT(B)
FOP-4-2	22	HZW5-35370-U02	SWITCH ASSY., POWER TRIM-TILT	1	1	(A)
FOP-4-2	23	HZW5-35370-U12	SWITCH ASSY., POWER TRIM-TILT	1	1	(B)
FOP-4-2	24	HZZ3-87703-R01	MARK, REMOTE CONTROL(DUAL)	1	1	
FOP-4-2	25	HZW5-90101-U00	SCREW, PAN, 5X16	3	3	
FOP-4-2	26	HZW5-90102-U00	SCREW, PAN, 5X10	2	2	
FOP-4-2	27	HZW5-90103-U01	SCREW, PAN, 5X20	4	4	
FOP-4-2	28	HZW5-90104-U00	SCREW, PAN, 5X18	4	4	
FOP-4-2	29	HZW5-90105-U01	SCREW, PAN, 4X10	4	4	

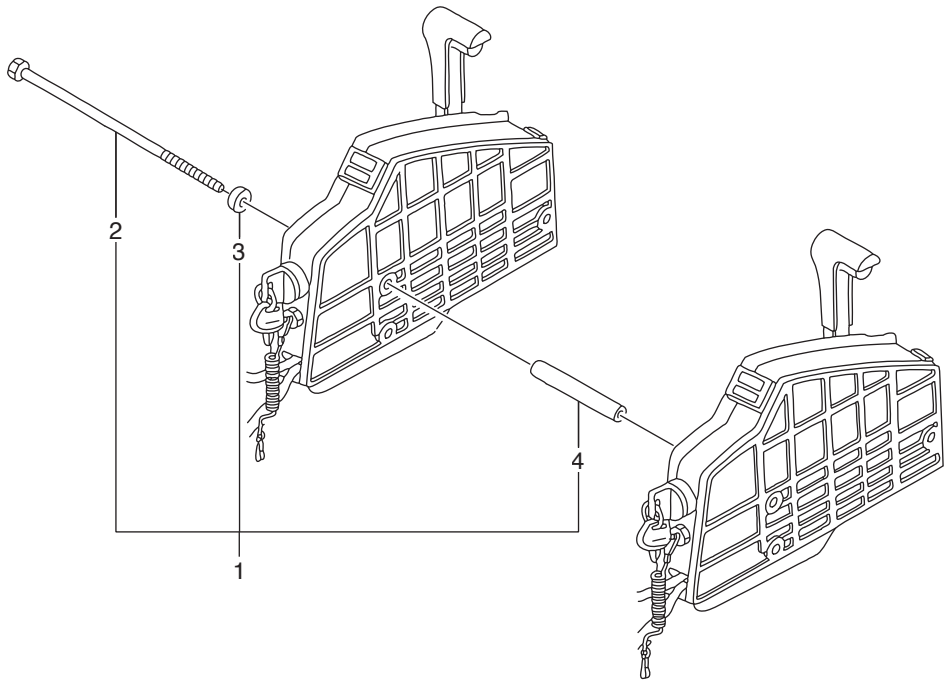
REMOTE CONTROL BOX
(TOP MOUNT DUAL TYPE) (RIGHT)

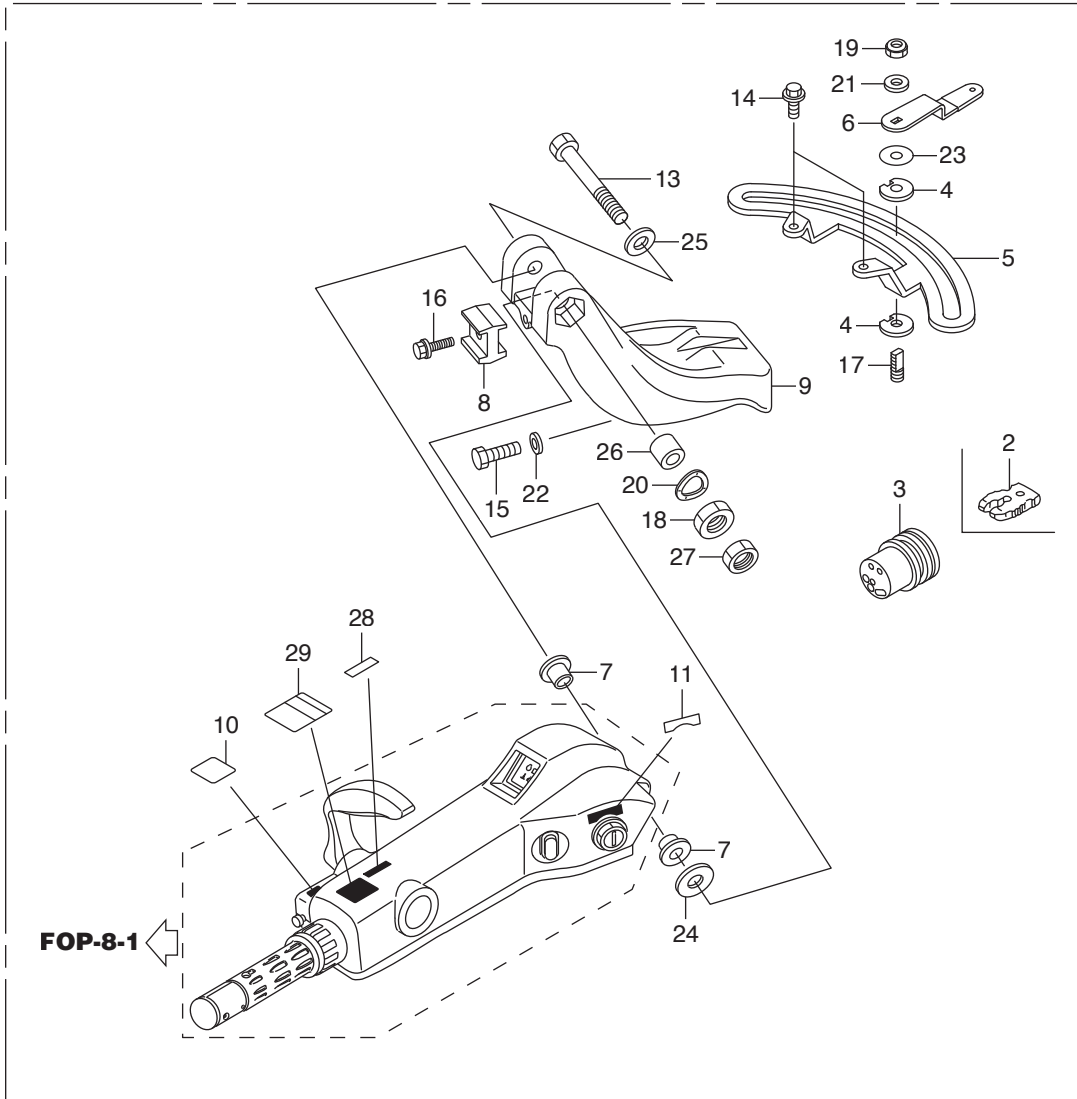




Ref.No.	Part No.	Description	Q' ty		Remarks	
			BFT60A	BFW60A		
FOP-4-4	1	HZZ3-06240-R40	BOX KIT, REMOTE CONTROL	1	1	(FLUSH MOUNT)(R.)
FOP-4-4	2	HZW7-24810-U01	HOUSING ASSY., R. INNER	1	1	(FLUSH MOUNT)
FOP-4-4	3	HZW7-24811-U01	HANDLE, REMOTE CONTROL	1	1	
FOP-4-4	4	HZW7-24812-U01	COVER, GRIP	1	1	
FOP-4-4	5	HZW7-24813-U01	ARM, NEUTRAL LOCK	1	1	
FOP-4-4	6	HZW7-24814-U01	COVER, LOCK ARM	1	1	
FOP-4-4	7	HZW7-24815-U01	SPRING, NEUTRAL LOCK ARM	1	1	
FOP-4-4	8	HZW5-24816-U01	BUTTON, THROTTLE	1	1	
FOP-4-4	9	HZW7-24817-U01	SHAFT, THROTTLE BUTTON	1	1	
FOP-4-4	10	HZW5-24826-U01	PLATE, DWELL	1	1	
FOP-4-4	11	HZZ3-24830-R41	COVER ASSY.	1	1	
FOP-4-4	12	HZW5-24831-U01	TERMINAL, CABLE	2	2	
FOP-4-4	13	HZW5-24832-U01	SPACER, CABLE CLAMP	1	1	
FOP-4-4	14	HZW7-24832-U01	HOLDER, NEUTRAL LOCK	1	1	
FOP-4-4	15	HZW7-24833-U01	BASE	1	1	
FOP-4-4	16	HZW7-32530-U20	SUB HARNESS ASSY., POWER	1	1	TRIM-TILT(C)
FOP-4-4	17	HZW7-35370-U02	SWITCH ASSY., POWER TRIM-TILT	1	1	(C)
FOP-4-4	18	HZZ3-87701-R40	MARK, HANDLE FLUSH MOUNT	1	1	
FOP-4-4	19	HZW7-87703-U00	MARK, FLUSH MOUNT	1	1	
FOP-4-4	20	HZW5-90101-U00	SCREW, PAN, 5X16	1	1	
FOP-4-4	21	HZW7-90101-U01	SCREW, TRUSS, 4X12	1	1	
FOP-4-4	22	HZW7-90102-U01	SCREW, PAN, 5X30	4	4	
FOP-4-4	23	HZW7-90103-U01	SCREW, PAN, 6X35	3	3	
FOP-4-4	24	HZW7-90104-U01	SCREW, TAPPING, 6X30	3	3	
FOP-4-4	25	HZW7-90301-U01	NUT, HEX., 6MM	3	3	
FOP-4-4	26	HZW5-90501-U00	WASHER, LOCK, 5MM	4	4	
FOP-4-4	27	HZW7-90502-U00	WASHER, PLAIN, 6MM	3	3	
FOP-4-4	28	HCO-94540-06029	E-RING, 6MM	2	2	



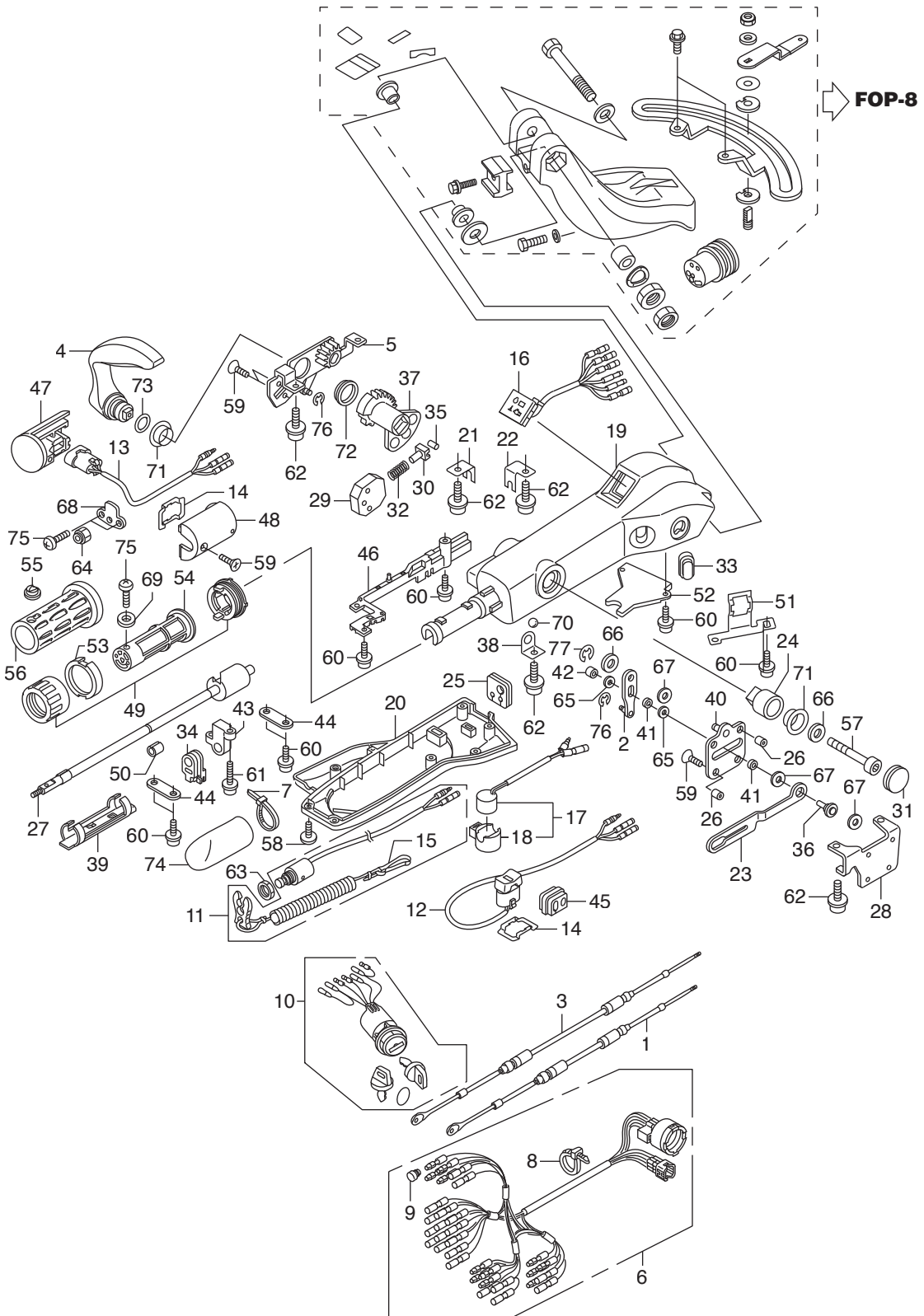




Ref.No.	Part No.	Description	Q' ty		Remarks	
			BFT60A	BFW60A		
FOP-8	1	HZZ3-06533-R00ZA	HANDLE KIT, STEERING (US)	1	1	*T107* BAY BLUE
FOP-8	2	HZV4-36187-652	CLIP, EMERGENCY LOCK	1	1	
FOP-8	3	HZZ3-40105-A00	GROMMET, STEERING HANDLE CABLE	1	1	
FOP-8	4	HZW9-50212-003	BLOCK COMP., FRICTION	2	2	
FOP-8	5	HZZ3-50218-000	PLATE, FRICTION	1	1	
FOP-8	6	HZW9-50219-010	LEVER, FRICTION	1	1	
FOP-8	7	HZW4-53116-H11	BUSH, STEERING HANDLE	2	2	
FOP-8	8	HZY9-53232-A00	BLOCK, HEIGHT ADJUSTER	1	1	
FOP-8	9	HZZ5-53233-000ZD	BRACKET, STEERING	1	1	*T107* BAY BLUE
FOP-8	10	HZW6-87124-U80	MARK, EMERGENCY SWITCH	1	1	INDICATION(EU)
FOP-8	11	HZZ3-87125-R00	MARK, STARTER(ENGLISH)	1	1	
FOP-8	13	HZW4-90101-H00	BOLT, HEX., 12X80	1	1	
FOP-8	14	HZW9-90102-000	BOLT, FLANGE, 6X12	2	2	
FOP-8	15	HZY3-90103-000	BOLT, HEX., 10X32	2	2	
FOP-8	16	HHW1-90118-671	BOLT, FLANGE, 8X28	1	1	
FOP-8	17	HZW9-90162-000	BOLT, STUD, 8X26	1	1	
FOP-8	18	HZW4-90303-H00	NUT, HEX., 12MM	1	1	
FOP-8	19	HZW9-90305-000	NUT, SELF-LOCK, 8MM	1	1	
FOP-8	20	HZV1-90506-000	WASHER, WAVE, 14MM	1	1	
FOP-8	21	H921-90514-000	WASHER, 8MM	1	1	
FOP-8	22	HZV4-90514-000	WASHER, 10MM	2	2	
FOP-8	23	HZW9-90517-000	WASHER, NYLON, 8MM	1	1	
FOP-8	24	HZV5-90552-000	WASHER, PLAIN, 12MM	1	1	
FOP-8	25	HZV5-90559-000	WASHER, PLAIN, 12MM	1	1	
FOP-8	26	HZW4-91552-H00	COLLAR, DISTANCE, 12.2X23X16	1	1	
FOP-8	27	HCO-94002-12490-0S	NUT, HEX., 12MM	1	1	
FOP-8	28	HZW9-87511-000	MARK, CHANGE	1	1	
FOP-8	29	HZW9-87532-640	MARK, THROTTLE(ENGLISH)	1	1	

FOP-8-1

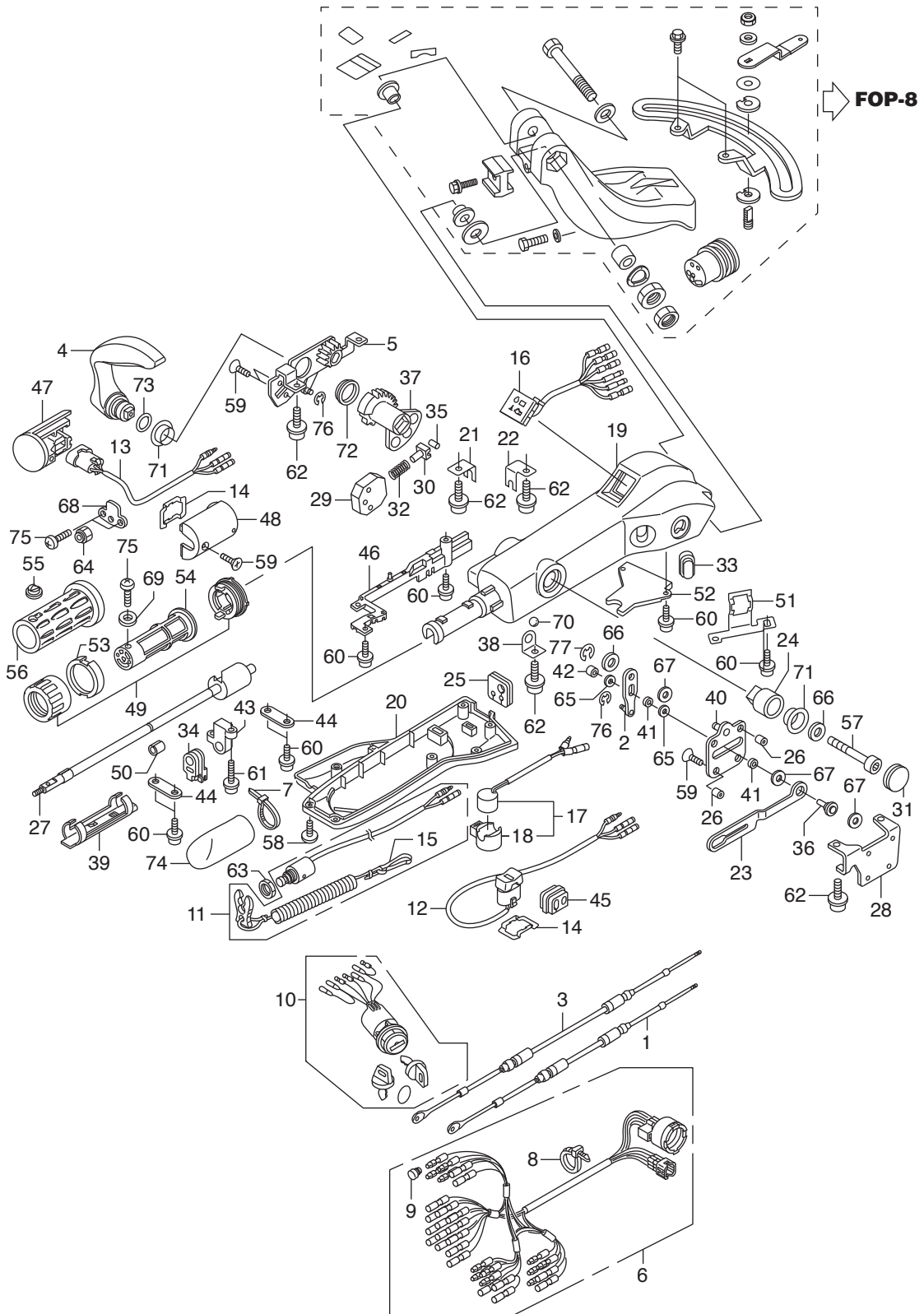
STEERING HANDLE KIT (COMPONENT PARTS)



Ref.No.	Part No.	Description	Q' ty		Remarks	
			BFT60A	BFW60A		
FOP-8-1	1	HZZ3-17910-A41	CABLE, THROTTLE	1	1	
FOP-8-1	2	HZZ3-17931-A41	ARM ASSY., THROTTLE	1	1	
FOP-8-1	3	HZZ3-24590-A41	CABLE, SHIFT	1	1	
FOP-8-1	4	HZZ3-24614-A41	LEVER, SHIFT	1	1	
FOP-8-1	5	HZZ3-24615-A41	FRAME ASSY., SHIFT	1	1	
FOP-8-1	6	HZZ3-32538-A41	CABLE ASSY. A, LONG HANDLE	1	1	
FOP-8-1	7	HZW4-32543-H01	BAND(CONVEX CV-150)	1	1	
FOP-8-1	8	HZW4-32544-H01	BAND(CONVEX CV-200)	2	2	
FOP-8-1	9	HZV5-32823-003	PLUG, INNER CONNECTOR	13	13	
FOP-8-1	10	HZZ3-35100-R01	SWITCH ASSY., COMBINATION	1	1	
FOP-8-1	11	HZZ3-35180-A42	SWITCH ASSY., EMERGENCY STOP	1	1	
FOP-8-1	12	HZZ3-35340-A42	SWITCH ASSY., TROLLING CONTROL	1	1	
FOP-8-1	13	HZZ3-35640-A41	SWITCH ASSY., POWER TILT	1	1	
FOP-8-1	14	HZZ3-35645-A41	PLATE, SWITCH	2	2	
FOP-8-1	15	HZV4-36182-651	CORD COMP., EMERGENCY	1	1	
FOP-8-1	16	HZY9-37210-A02	LAMP ASSY., INDICATOR	1	1	
FOP-8-1	17	HZY9-38400-A00	BUZZER ASSY., WARNING	1	1	
FOP-8-1	18	HZY9-38402-A00	SUSPENSION, WARNING BUZZER	1	1	
FOP-8-1	19	HZZ3-53101-A41ZD	HOUSING	1	1	*T107* BAY BLUE
FOP-8-1	20	HZZ3-53102-A41	COVER, UNDER	1	1	
FOP-8-1	21	HZZ3-53103-A41	CLAMP, SHIFT CABLE	1	1	
FOP-8-1	22	HZZ3-53104-A41	CLAMP, THROTTLE CABLE	1	1	
FOP-8-1	23	HZZ3-53105-A41	PLATE, LOCK	1	1	
FOP-8-1	24	HZZ3-53106-A41	STOPPER, SHIFT	1	1	
FOP-8-1	25	HZZ3-53108-A41	GROMMET	1	1	
FOP-8-1	26	HZZ3-53109-A41	SPACER	4	4	
FOP-8-1	27	HZZ3-53110-A41	SHAFT ASSY., THROTTLE	1	1	
FOP-8-1	28	HZZ3-53111-A41	FRAME, THROTTLE	1	1	
FOP-8-1	29	HZZ3-53112-A41	GUIDE, SPRING	1	1	

FOP-8-1

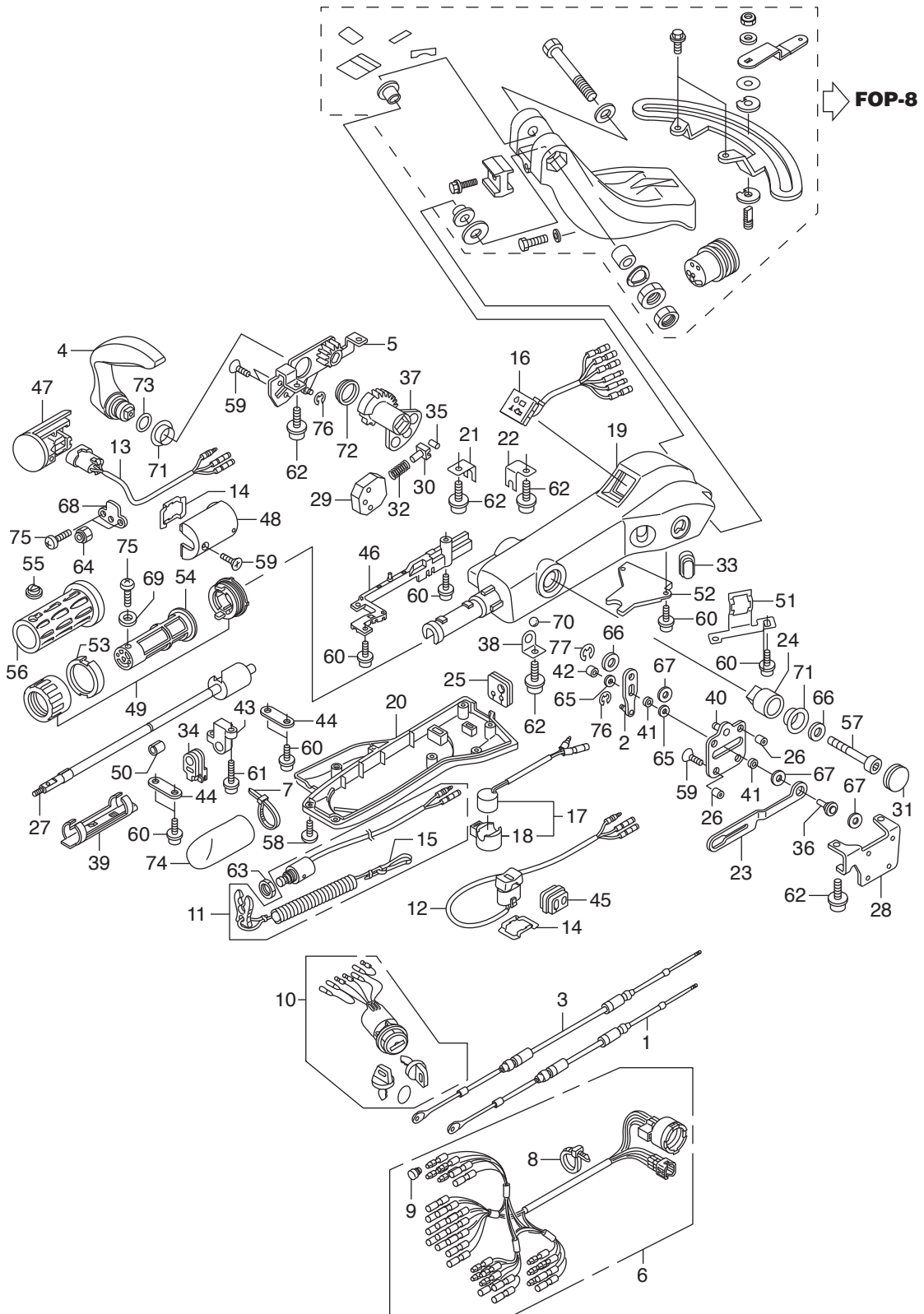
STEERING HANDLE KIT (COMPONENT PARTS)

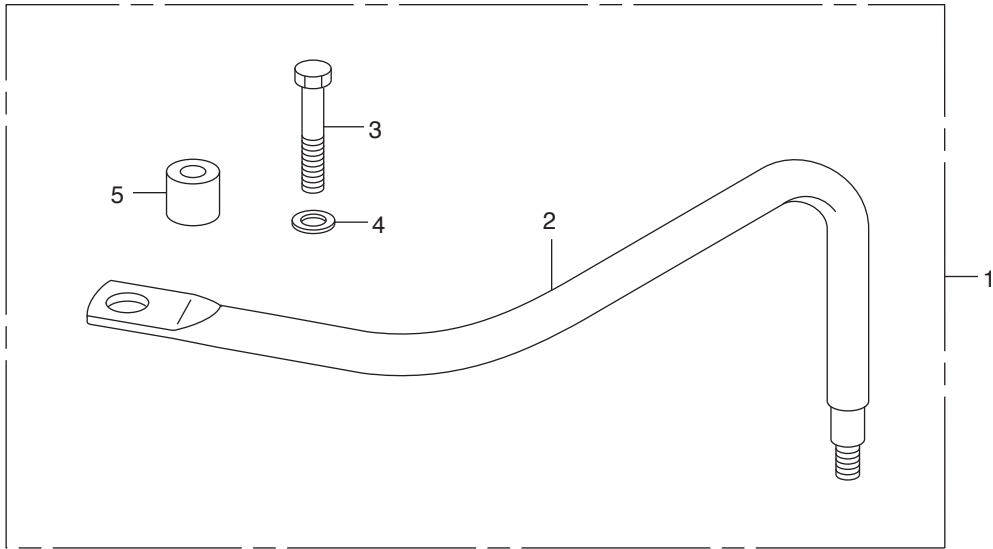


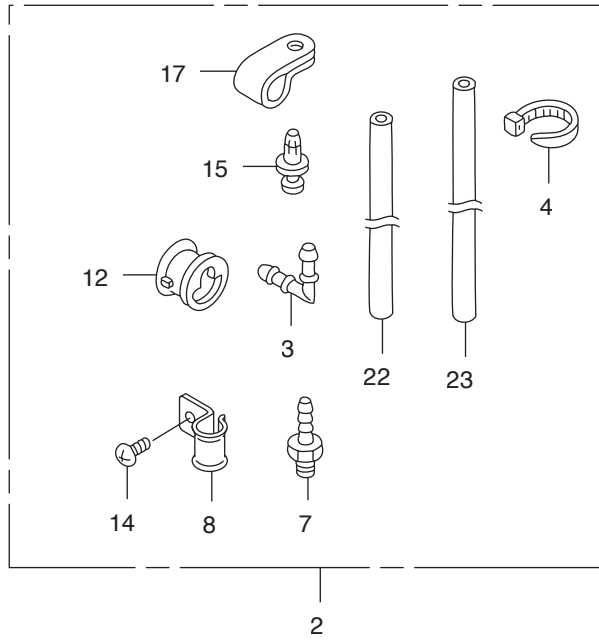
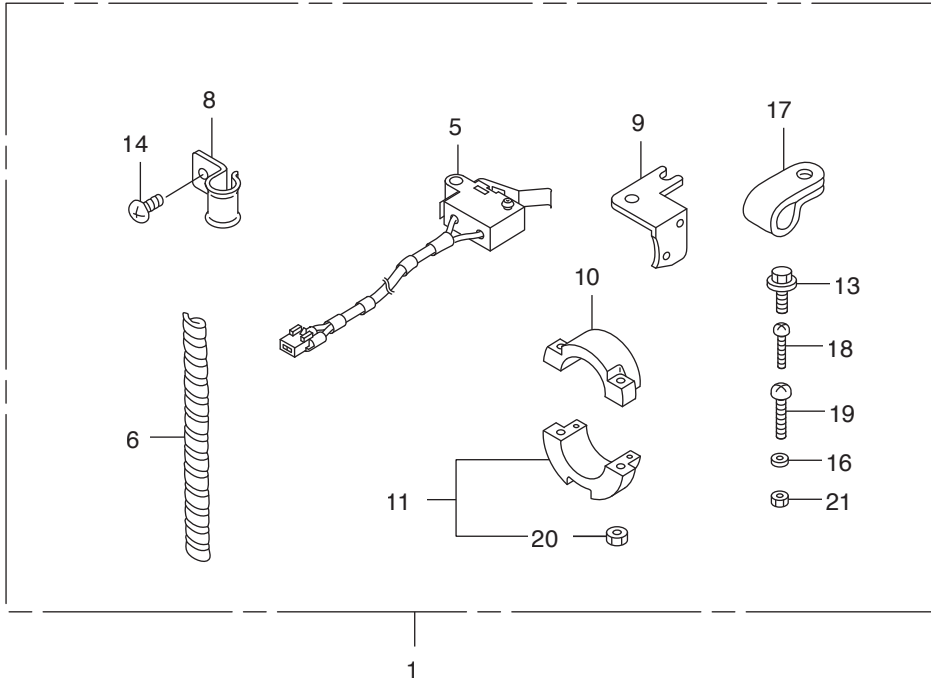
Ref.No.	Part No.	Description	Q' ty		Remarks	
			BFT60A	BFW60A		
FOP-8-1	30	HZW4-53113-H01	ACTUATOR	1	1	
FOP-8-1	31	HZZ3-53113-A41	CAP	1	1	
FOP-8-1	32	HZZ3-53114-A41	SPRING	1	1	
FOP-8-1	33	HZW4-53115-H02	GROMMET, POWER TILT SWITCH	1	1	
FOP-8-1	34	HZZ3-53115-A41	GROMMET, POWER TILT SWITCH	1	1	
FOP-8-1	35	HZW4-53116-H01	ROLLER	1	1	
FOP-8-1	36	HZZ3-53117-A41	PIN, SLIDE	1	1	
FOP-8-1	37	HZZ3-53118-A41	GEAR, SHIFT	1	1	
FOP-8-1	38	HZZ3-53119-A41	PLATE, BALL GUIDE	1	1	
FOP-8-1	39	HZZ3-53120-A41	GUIDE, THROTTLE HARNESS	1	1	
FOP-8-1	40	HZZ3-53121-A41	FRAME ASSY., THROTTLE SUB	1	1	
FOP-8-1	41	HZZ3-53122-A41	ROLLER, PLATE	2	2	
FOP-8-1	42	HZZ3-53123-A41	ROLLER, CAM	1	1	
FOP-8-1	43	HZZ3-53124-A41	STAY	1	1	
FOP-8-1	44	HZZ3-53125-A41	PLATE, SHIFT CLAMP	2	2	
FOP-8-1	45	HZZ3-53126-A41	GROMMET, SIDE	1	1	
FOP-8-1	46	HZZ3-53127-A41	GUIDE, HARNESS	1	1	
FOP-8-1	47	HZZ3-53128-A41	BOX ASSY., POWER TILT SWITCH	1	1	1
FOP-8-1	48	HZZ3-53129-A41	BOX ASSY., POWER TILT SWITCH	1	1	2
FOP-8-1	49	HZW9-53130-000	GRIP ASSY., THROTTLE FRICTION	1	1	
FOP-8-1	50	HZZ3-53130-A41	BUSH, THROTTLE SHAFT	1	1	
FOP-8-1	51	HZZ3-53131-A41	HOLDER, SWITCH	1	1	
FOP-8-1	52	HZZ3-53132-A41	PLATE, HARNESS	1	1	
FOP-8-1	53	HZW9-53133-000	PAD, THROTTLE FRICTION	1	1	
FOP-8-1	54	HZZ3-53141-A41	PIPE, THROTTLE GRIP	1	1	
FOP-8-1	55	HZZ3-53142-A41	CAP, GRIP	1	1	
FOP-8-1	56	HZZ3-53165-000	RUBBER, GRIP	1	1	
FOP-8-1	57	HZZ3-90103-A41	BOLT, SOCKET, 8X70	1	1	
FOP-8-1	58	HZW4-90104-H01	BOLT(M5X12)	8	8	

FOP-8-1

STEERING HANDLE KIT (COMPONENT PARTS)







Ref.No.	Part No.	Description	Q' ty		Remarks	
			BFT60A	BFW60A		
FOP-9	1	HZZ3-06357-000	LIMIT KIT, TILT	1	1	
FOP-9	2	HZZ3-06411-000	TUBE KIT, SPEED SENSOR	1	1	
FOP-9	3	HGE1-17357-670	JOINT A, BREATHER	1	1	
FOP-9	4	HKM3-32161-003	BAND, WIRE	4	4	
FOP-9	5	HZZ3-35745-741	SWITCH ASSY., TILT LIMIT	1	1	
FOP-9	6	HZV5-36104-821	TUBE, SPIRAL	1	1	
FOP-9	7	HZV5-41172-000	NIPPLE, SENSOR	1	1	
FOP-9	8	HZY3-50209-A00	CLAMP, TUBE	4	4	
FOP-9	9	HZZ3-50222-000	BRACKET, TILT LIMIT SENSOR	1	1	
FOP-9	10	HZZ3-50223-000	CAM A, TILT LIMIT ANGLE	1	1	
FOP-9	11	HZZ3-50224-000	CAM B, TILT LIMIT ANGLE	1	1	
FOP-9	12	HZY6-56118-000	BUSH, MOTOR CODE	1	1	
FOP-9	13	HZW9-90102-000	BOLT, FLANGE, 6X12	1	1	
FOP-9	14	HZV5-90119-000	SCREW, PAN, 6X8	4	4	
FOP-9	15	HZV5-90127-003	SCREW, RIVET, 5X10	1	1	
FOP-9	16	HZW4-90401-000	WASHER, PLAIN, 4MM	1	1	
FOP-9	17	H750-90628-000	CLIP(14MM)	2	2	
FOP-9	18	HCO-93500-04014-4J	SCREW, PAN, 4X14	1	1	
FOP-9	19	HCO-93500-05020-4J	SCREW, PAN, 5X20	2	2	
FOP-9	20	HCO-94001-05490-0S	NUT, HEX., 5MM	2	2	
FOP-9	21	HCO-94002-04490-0S	NUT, HEX., 4MM	1	1	
FOP-9	22	HCO-95005-50530-30	TUBE, 5X530	1	1	(HC-95005-50001-30M)
FOP-9	23	HCO-95005-50950-30	TUBE, 5X950	1	1	(HC-95005-50001-30M)

INDEX

<A>		
ACTUATOR	FOP-8-1-30	
ARM ASSY, SHIFT LINK	F-15-1-18	
ARM ASSY, THROTTLE	FOP-8-1-2	
ARM ASSY, THROTTLE LINK	F-15-1-21	
ARM COMP, EX. ROCKER(A)	E-9-7	
ARM COMP, EX. ROCKER(B)	E-9-8	
ARM COMP, IN. VALVE ROCKER	E-9-6	
ARM COMP, LINK JOINT	F-15-19	
ARM COMP, SHIFT LINK	F-15-15	
ARM, NEUTRAL LOCK	FOP-4-4-5	
ARM, SHIFT	F-2-11	
ARM, THROTTLE	F-2-7	
ARMATURE ASSY	E-21-7	
ARMATURE COMP.	F-11-20-7	
		
BAG, TOOL, 160MM	F-13-17	
BALL, STEEL	F-11-20-44	
BALL, STEEL	F-15-1-46	
BALL, STEEL	FOP-8-1-70	
BALL, STEEL, #11(11/32)	F-5-1-28	
BALL, STEEL, #6(3/16)	F-5-28	
BALL, STEEL, #7(7/32)	F-5-29	
BALL, STEEL, #7(7/32)	F-5-1-27	
BAND	E-18-10-26	
BAND(BLACK 3.5X140)	F-8-10-2	
BAND(BLACK 3.5X140)	F-11-20-3	
BAND(BLACK 3.5X140)	F-15-41	
BAND(CONVEX CV-150)	FOP-8-1-7	
BAND(CONVEX CV-200)	FOP-8-1-8	
BAND, AIR FLOW	E-15-10-6	
BAND, CABLE(B)	F-15-1-11	
BAND, CORD	F-7-10-1	
BAND, SELF LOCK	F-15-66	
BAND, UNDER CASE GROMMET	F-8-10-6	
BAND, WIRE	FOP-9-4	
BAND, WIRE HARNESS(NATURAL)	FOP-3-24	
BAND, WIRE HARNESS(NATURAL)	FOP-3-1-17	
BASE	FOP-4-4-15	
BEARING	FOP-8-1-71	
BEARING	FOP-8-1-72	
BEARING A, CONNECTING ROD	E-7-6	
BEARING B, CONNECTING ROD	E-7-	
BEARING B, MAIN LOWER(BLACK)	E-7-11	
BEARING B, MAIN UPPER(BLACK)	E-7-8	
BEARING C, CONNECTING ROD	E-7-	
BEARING C, MAIN LOWER(BROWN)	E-7-	
BEARING C, MAIN UPPER(BROWN)	E-7-	
BEARING D, CONNECTING ROD	E-7-	
BEARING D, MAIN LOWER(GREEN)	E-7-	
BEARING D, MAIN UPPER(GREEN)	E-7-	
BEARING E, CONNECTING ROD	E-7-	
BEARING E, MAIN LOWER(YELLOW)	E-7-	
BEARING E, MAIN UPPER(YELLOW)	E-7-	
BEARING F, CONNECTING ROD	E-7-	
BEARING F, MAIN LOWER(PINK)	E-7-	
BEARING F, MAIN UPPER(PINK)	E-7-	
BEARING G, CONNECTING ROD(RED)	E-7-	
BEARING G, MAIN LOWER(RED)	E-7-	
BEARING G, MAIN UPPER(RED)	E-7-	
BEARING H, MAIN LOWER(WHITE)	E-7-	
BEARING H, MAIN UPPER(WHITE)	E-7-	
BEARING, 25X47X15	F-4-27	
BEARING, 32X58X17	F-5-21	
BEARING, BALL(28X38X3)	F-5-1-21	
BEARING, NEEDLE	F-4-1-29	
BEARING, NEEDLE, 22X28X20	F-5-22	
BEARING, NEEDLE, 30X37X26	F-5-1-19	
BEARING, NEEDLE, 7/8X11/8X1	F-4-26	
BEARING, RADIAL BALL, 6007	F-5-27	
BEARING, RADIAL BALL, 6208	F-5-1-26	
BEARING, TAPER ROLLER	F-4-1-30	
BEARING, TAPERED ROLLER	F-5-1-20	
BELT, TIMING(88RU22.5 E-660)	E-13-5	
BLOCK ASSY, CYLINDER	E-3-4	
BLOCK COMP, FRICTION	FOP-8-4	
BLOCK, HEIGHT ADJUSTER	FOP-8-8	
BLOCK, NEUTRAL LOCK	F-15-7	
BLOCK, THROTTLE FRICTION	F-15-29	
BODY	E-18-10-3	
BODY ASSY, THROTTLE	E-15-2	
BODY, TROLLING CONTROL SWITCH	F-7-40-3	
BOLT	F-15-1-37	
BOLT KIT, SIDE REMOTE CONTROL	FOP-7-1	
BOLT(M5X12)	FOP-8-1-58	
BOLT(M6X37)	E-21-10	
BOLT, 3/8-24UNF	F-11-19	
BOLT, 5X12	FOP-8-1-60	
BOLT, 5X20	FOP-8-1-61	
BOLT, 6X15	FOP-8-1-62	
BOLT, BLOCK OIL DRAIN	E-3-5	
BOLT, CLAMP, 4X35	E-15-10-10	
BOLT, CONNECTING ROD	E-7-4	
BOLT, DRAIN PLUG	E-6-15	
BOLT, DRAIN PLUG	F-3-10-13	
BOLT, DRAIN PLUG	F-3-11-15	
BOLT, FLANGE, 10X25	F-11-20	
BOLT, FLANGE, 10X40	E-13-15	
BOLT, FLANGE, 12X38	E-13-11	
BOLT, FLANGE, 6X10	F-7-20-21	
BOLT, FLANGE, 6X10	F-8-10-15	
BOLT, FLANGE, 6X11	F-2-22	
BOLT, FLANGE, 6X12	E-3-17	
BOLT, FLANGE, 6X12	E-14-19	
BOLT, FLANGE, 6X12	F-2-23	
BOLT, FLANGE, 6X12	F-3-13	
BOLT, FLANGE, 6X12	F-4-1-20	
BOLT, FLANGE, 6X12	F-7-7	
BOLT, FLANGE, 6X12	F-7-20-20	
BOLT, FLANGE, 6X12	FOP-8-14	
BOLT, FLANGE, 6X12	FOP-9-13	
BOLT, FLANGE, 6X14	E-3-21	
BOLT, FLANGE, 6X14	E-5-10	
BOLT, FLANGE, 6X14	E-18-10-44	
BOLT, FLANGE, 6X14	F-7-20-22	
BOLT, FLANGE, 6X14(CT200)	E-3-15	
BOLT, FLANGE, 6X14(CT200)	E-18-22	
BOLT, FLANGE, 6X14(CT200)	F-7-20-19	
BOLT, FLANGE, 6X16	E-2-33	
BOLT, FLANGE, 6X16	E-3-20	
BOLT, FLANGE, 6X16	E-19-9	
BOLT, FLANGE, 6X16	F-2-21	
BOLT, FLANGE, 6X16	F-10-16	
BOLT, FLANGE, 6X18(CT200)	F-2-20	
BOLT, FLANGE, 6X20	E-2-34	
BOLT, FLANGE, 6X20	E-20-2	
BOLT, FLANGE, 6X20	F-3-14	
BOLT, FLANGE, 6X20	F-3-30-21	
BOLT, FLANGE, 6X20	F-4-18	
BOLT, FLANGE, 6X22	E-2-28	
BOLT, FLANGE, 6X22	E-2-35	
BOLT, FLANGE, 6X22	E-3-22	
BOLT, FLANGE, 6X22	E-6-12	
BOLT, FLANGE, 6X23	F-10-13	
BOLT, FLANGE, 6X25	E-5-11	
BOLT, FLANGE, 6X25	E-18-23	
BOLT, FLANGE, 6X25	E-19-6	
BOLT, FLANGE, 6X28	E-3-19	
BOLT, FLANGE, 6X28	E-19-7	
BOLT, FLANGE, 6X30	F-3-10-16	
BOLT, FLANGE, 6X32	E-14-17	
BOLT, FLANGE, 6X35	F-3-11-19	
BOLT, FLANGE, 6X37	E-2-36	
BOLT, FLANGE, 6X50	E-15-3	
BOLT, FLANGE, 8X18	F-7-10-14	
BOLT, FLANGE, 8X25	F-3-11	
BOLT, FLANGE, 8X26(SUS)	E-6-14	
BOLT, FLANGE, 8X28	E-3-23	
BOLT, FLANGE, 8X28	FOP-8-16	
BOLT, FLANGE, 8X32	E-14-18	
BOLT, FLANGE, 8X35	F-3-16	
BOLT, FLANGE, 8X35	F-15-51	
BOLT, FLANGE, 8X35(SUS)	E-6-13	
BOLT, FLANGE, 8X45	E-14-20	
BOLT, FLANGE, 8X45	E-21-21	
BOLT, FLANGE, 8X60	E-6-21	
BOLT, FLANGE, 8X60(SUS)	E-6-11	
BOLT, FLANGE, 8X70	E-2-38	
BOLT, FLANGE, 8X90	E-2-29	
BOLT, FLANGE, (SH)6X20	F-8-10-20	
BOLT, FRICTION	F-15-30	
BOLT, HEAD COVER	E-2-32	
BOLT, HEX., 10X158	F-10-14	
BOLT, HEX., 10X32	F-3-10-11	
BOLT, HEX., 10X32	FOP-8-15	
BOLT, HEX., 10X60	F-3-10-9	
BOLT, HEX., 10X80	F-3-11-13	
BOLT, HEX., 12X119	F-10-15	
BOLT, HEX., 12X186	F-3-12	
BOLT, HEX., 12X80	FOP-8-13	
BOLT, HEX., 4X20	F-7-40-7	
BOLT, HEX., 5X16	F-15-71	
BOLT, HEX., 6X35	F-11-18	
BOLT, HEX., 6X35	FOP-8-10-3	
BOLT, HEX., 8X20	F-3-10-14	
BOLT, HEX., 8X25	F-3-11-14	
BOLT, HEX., 8X40	F-4-19	
BOLT, HEX., 8X40	F-4-19	
BOLT, HEX., 8X40	FOP-1-11	
BOLT, HEX., 8X55	F-4-1-19	
BOLT, HEX., 8X55	FOP-1-	
BOLT, OIL CHECK	F-3-10-10	
BOLT, OIL CHECK	F-3-11-11	
BOLT, ROCKER ARM SHAFT	E-9-20	
BOLT, RR. BRACKET	F-8-21	
BOLT, SEALING, 14MM	E-5-5	
BOLT, SEALING, 14MM	E-5-6	
BOLT, SEALING, 20MM	E-2-3	
BOLT, SEALING, 24MM	E-3-1	
BOLT, SEALING, 6MM	E-18-10-42	
BOLT, SOCKET(B)	F-11-20-40	
BOLT, SOCKET, 5X0.8	F-11-20-39	
BOLT, SOCKET, 6X16	F-3-11-17	
BOLT, SOCKET, 8X70	FOP-8-1-57	
BOLT, SPECIAL, 6X17	F-8-20	
BOLT, SPECIAL, 6X17	F-8-10-18	
BOLT, SPECIAL, 6X220	FOP-7-2	
BOLT, SPECIAL, 6X31	E-19-10	
BOLT, SPECIAL, 6X37	F-8-10-19	
BOLT, STUD 2, 8X25	F-3-30-19	
BOLT, STUD, 10X125	F-3-30-20	
BOLT, STUD, 8X26	FOP-8-17	
BOLT, STUD, 8X32	E-2-30	
BOLT, TDC PULSER PLATE	E-9-5	
BOLT, THROUGH	E-21-20	
BOLT, TIMING BELT ADJUSTING	E-3-16	
BOLT-WASHER, 10X40	F-3-11-16	
BOLT-WASHER, 10X40	F-5-1-13	
BOLT-WASHER, 16X49	E-19-8	
BOLT-WASHER, 5X18	E-14-16	
BOLT-WASHER, 6X20	F-3-30-31	
BOLT-WASHER, 6X22	F-8-18	
BOLT-WASHER, 6X25	E-13-10	
BOLT-WASHER, 6X25	E-18-10-43	
BOLT-WASHER, 6X25	F-8-17	
BOLT-WASHER, 6X27	F-8-19	
BOLT-WASHER, 6X27	F-8-10-17	
BOLT-WASHER, 6X27(CT200)	E-20-10-9	
BOLT-WASHER, 6X27(CT200)	F-7-20-18	
BOLT-WASHER, 6X95	F-8-10-16	
BOLT-WASHER, 8X30	F-5-14	
BOLT-WASHER, 8X35	E-14-15	
BOLT-WASHER, 8X40	F-4-20	
BOLT-WASHER, 8X40	FOP-1-12	
BOLT-WASHER, 9X100	E-3-14	
BOLT-WASHER, 9X105	E-2-31	
BOOT, SPRING	E-13-9	
BOTTOM, TILT CYLINDER	F-11-20-21	
BOX ASSY., POWER TILT SWITCH	FOP-8-1-47	
BOX ASSY., POWER TILT SWITCH	FOP-8-1-48	
BOX ASSY., REMOTE CONTROL	F-15-1-1	
BOX ASSY., REMOTE CONTROL(EU)	F-15-2	
BOX KIT, REMOTE CONTROL	FOP-4-1	
BOX KIT, REMOTE CONTROL	FOP-4-2-1	
BOX KIT, REMOTE CONTROL	FOP-4-4-1	
BRACKET A, POWER TILT COUPLER	F-7-20-14	
BRACKET A, REGULATOR COUPLER	E-3-9	
BRACKET ASSY.	F-11-20-6	

BRACKET ASSY., CENTER	E-21-2	CASE, ELECTRONIC PARTS	F-7-20-3	COLLAR, DISTANCE, 6.5X9X5	F-8-10-22
BRACKET B, REGULATOR COUPLER	E-3-11	CASE, EXTENSION	F-3-3	COLLAR, DISTANCE, 6X10X43.5	F-15-70
BRACKET COMP., NEUTRAL SWITCH	F-7-20-10	CASE, GEAR	F-3-10-3	COLLAR, FR. BRACKET	F-8-10-23
BRACKET, A.C. GENERATOR	E-19-4	CASE, GEAR	F-3-11-3	COLLAR, LINK JOINT	F-15-69
BRACKET, A.C. GENERATOR FUSE	F-7-20-6	CASE, IGNITION COIL	E-20-10-5	COLLAR, SLIDING PLATE	F-15-17
BRACKET, BUZZER	FOP-3-21	CASE, SWIVEL	F-11-3	COLLAR, STEERING ROD	F-11-36
BRACKET, BUZZER	FOP-3-1-14	CIRCLIP, 14MM	F-5-26	CONTROL UNIT, ELECTRONIC	E-20-1
BRACKET, CENTER	E-21-8	CIRCLIP, EXTERNAL	F-15-1-44	CORD ASSY., IGNITION COIL	E-20-10-7
BRACKET, FR. UNDER COVER	F-8-10-8	CIRCLIP, EXTERNAL, 12	F-2-31	CORD ASSY., INDICATOR(20FT)	FOP-3-4
BRACKET, FUSE	F-7-20-7	CIRCLIP, EXTERNAL, 14MM	F-5-1-25	CORD ASSY., INDICATOR(25FT)	FOP-3-
BRACKET, L. STERN	F-10-4	CIRCLIP, EXTERNAL, 39MM	F-11-31	CORD ASSY., INDICATOR(30FT)	FOP-3-
BRACKET, LINK JOINT	F-15-20	CIRCLIP, INTERNAL(16)	F-11-20-12	CORD COMP., EMERGENCY	F-15-43
BRACKET, MAIN RELAY	F-7-20-17	CLAMP	F-6-5	CORD COMP., EMERGENCY	F-15-1-29
BRACKET, POWER TILT RELAY	F-7-20-16	CLAMP	F-6-8	CORD COMP., EMERGENCY	FOP-3-15
BRACKET, POWER TILT SWITCH	F-7-20-11	CLAMP B, FUEL TUBE	E-14-6	CORD COMP., EMERGENCY	FOP-3-1-9
BRACKET, R. STERN	F-10-3	CLAMP B, FUEL TUBE	E-18-16	CORD COMP., EMERGENCY	FOP-8-1-15
BRACKET, REMOTE CONTROL	FOP-4-12	CLAMP B, FUEL TUBE	F-7-20-2	COTTER, VALVE(FUJI VALVE)	E-9-19
BRACKET, REMOTE CONTROL	FOP-4-2-13	CLAMP, 6MM-12MM	E-18-25	COUPLER COMP.	E-18-10-38
BRACKET, REMOTE CONTROL CABLE	F-8-10-1	CLAMP, AIR VENT TUBE	E-18-15	COVER	E-18-10-7
BRACKET, RR. UNDER COVER	F-8-5	CLAMP, FUEL TUBE	F-7-20-1	COVER	E-18-10-25
BRACKET, SHIFT LINK	F-2-16	CLAMP, HARNESS	F-15-10	COVER ASSY.	FOP-4-4-11
BRACKET, STEERING	FOP-8-9	CLAMP, HIGH TENSION CORD	E-20-10-8	COVER ASSY., ENGINE	F-8-10-10
BRACKET, TILT LIMIT SENSOR	FOP-9-9	CLAMP, OIL HOSE	E-18-1	COVER ASSY., FUSE(40A)	F-7-4
BRACKET, TILTING	F-11-12	CLAMP, POWER TILT CORD	F-15-32	COVER ASSY., L. ENGINE UNDER	F-8-10
BRACKET, TROLLING CONTROL	F-7-40-4	CLAMP, SHIFT CABLE	FOP-8-1-21	COVER ASSY., R. ENGINE UNDER	F-8-9
BRACKET, TUBE CLAMP	E-18-10	CLAMP, THROTTLE CABLE	FOP-8-1-22	COVER ASSY., RR.	E-21-13
BREAKER ASSY.	F-11-20-1	CLAMP, TUBE	FOP-9-8	COVER B, GEAR CASE	F-3-11-5
BRUSH ASSY.	F-11-20-2	CLAMP, TUBE(7.5-11.5)(BLACK)	E-18-19	COVER COMP.	E-18-10-4
BUSH	F-15-1-23	CLAMP, TUBE(D29)	E-2-39	COVER KIT, DUST	E-21-17
BUSH A, COVER LOCK	F-2-19	CLAMPER, CORD	F-11-20-8	COVER, A.C. GENERATOR	F-7-30-1
BUSH, LOWER CYLINDER	F-10-12	CLIP B1, TUBE	F-3-30-27	COVER, CAM THRUST	E-2-4
BUSH, MOTOR CODE	F-10-11	CLIP(14MM)	FOP-9-17	COVER, CYLINDER HEAD	E-2-6
BUSH, MOTOR CODE	FOP-9-12	CLIP, 10.7MM	F-8-25	COVER, DUAL GRIP	FOP-4-2-8
BUSH, STEERING HANDLE	FOP-8-7	CLIP, 7MM	F-3-24	COVER, FLUSH VALVE	F-3-30-11
BUSH, SWIVEL CASE	F-11-6	CLIP, COUPLER HOLDER(B)	F-7-20-12	COVER, FR. SEPARATE	F-8-10-7
BUSH, THROTTLE SHAFT	FOP-8-1-50	CLIP, EMERGENCY LOCK	F-15-44	COVER, GRIP	F-15-1-6
BUSH, TILT ARM	F-11-11	CLIP, EMERGENCY LOCK	FOP-3-16	COVER, GRIP	FOP-4-4-4
BUSH, UPPER CYLINDER	F-11-20-33	CLIP, EMERGENCY LOCK	FOP-3-1-10	COVER, IMPELLER	F-4-5
BUSHING	F-15-1-8	CLIP, EMERGENCY LOCK	FOP-8-2	COVER, IMPELLER	F-4-1-5
BUTTON, THROTTLE	F-15-1-9	CLIP, HARNESS BAND(BLACK)	E-3-30	COVER, IMPELLER	FOP-1-6
BUTTON, THROTTLE	FOP-4-9	CLIP, HARNESS BAND(BLACK)	F-7-10	COVER, L. GRIP	FOP-4-5
BUTTON, THROTTLE	FOP-4-2-10	CLIP, HARNESS BAND(BLACK)	F-7-10-19	COVER, L. GRIP	FOP-4-2-6
BUTTON, THROTTLE	FOP-4-4-8	CLIP, HARNESS BAND(BLACK)	F-11-20-61	COVER, L. LOWER MOUNTING	F-8-14
BUZZER ASSY., WARNING	FOP-8-1-17	CLIP, HARNESS BAND(BLACK)	FOP-2-4-6	COVER, LOCK ARM	FOP-4-4-6
BUZZER COMP., WARNING	F-15-47	CLIP, HARNESS BAND(NATURAL)	E-19-12	COVER, OIL PUMP	E-5-2
BUZZER COMP., WARNING	FOP-3-20	CLIP, R. BRAKE WIRE	E-18-10-41	COVER, R. LOWER MOUNTING	F-8-13
BUZZER COMP., WARNING	FOP-3-1-13	CLIP, SENSOR HOSE	E-18-21	COVER, REMOTE CONTROL CABLE	F-2-6
<C>		CLIP, TUBE(B10)	E-18-10-46	COVER, STARTER TERMINAL	F-7-10-4
CABLE ASSY. A, LONG HANDLE	FOP-8-1-6	CLIP, TUBE(B10)	F-3-30-24	COVER, THERMOSTAT	E-2-20
CABLE ASSY., REMOTE CONTROL(B)	F-15-35	CLIP, TUBE(B12)	E-18-24	COVER, UNDER	FOP-8-1-20
CABLE ASSY., STARTER	F-7-10-3	CLIP, TUBE(B12)	F-3-30-25	COVER, UPPER MOUNT	F-3-30-17
CABLE ASSY., SWITCH PANEL	FOP-3-9	CLIP, TUBE(B12.5)	F-3-30-26	COVER, WATER JACKET	E-2-22
CABLE ASSY., SWITCH PANEL	FOP-3-	CLIP, TUBE, 3.5	E-18-27	COVER, WATER JACKET	E-18-10-9
CABLE ASSY., SWITCH PANEL	FOP-3-	CLIP, WIRE	E-18-26	CRANKSHAFT	E-7-7
CABLE SET, PANEL INDICATOR	FOP-3-2	CLIP, WIRE HARNESS	F-10-23	CUP	E-2-15
CABLE SET, PANEL INDICATOR	FOP-3-	CLIP, WIRE HARNESS(6.3MM)	F-15-68	CYLINDER, TILT	F-11-20-19
CABLE SET, PANEL INDICATOR	FOP-3-	CLIP, WIRE HARNESS(GREEN)	F-7-9	<D>	
CABLE, SHIFT	FOP-8-1-3	CLIP, WIRE HARNESS, 25MM	E-2-40	DOWEL PIN, 12X14	E-3-26
CABLE, THROTTLE	FOP-8-1-1	COIL COMP., IGNITION(1)	E-20-10-2	DOWEL PIN, 14X20	E-3-32
CAM A, TILT LIMIT ANGLE	FOP-9-10	COIL COMP., IGNITION(2)	E-20-10-3	DOWEL PIN, 6X10	E-6-18
CAM B, TILT LIMIT ANGLE	FOP-9-11	COIL COMP., IGNITION(3)	E-20-10-4	DOWEL PIN, 6X10	E-6-20
CAMSHAFT COMP.	E-9-3	COLLAR, 6MM	F-2-40	DOWEL PIN, 6X10	F-3-25
CAP	FOP-8-1-31	COLLAR, 8.5X14.5	E-14-24	DOWEL PIN, 6X10	F-3-10-21
CAP ASSY.	F-10-6	COLLAR, C.D.I. UNIT CASE	E-18-10-48	DOWEL PIN, 6X10	F-3-11-25
CAP, BOLT, 6MM	E-2-37	COLLAR, C.D.I. UNIT CASE	E-20-10-10	DOWEL PIN, 6X10	F-4-25
CAP, GRIP	FOP-4-7	COLLAR, C.D.I. UNIT CASE	F-7-20-25	DOWEL PIN, 6X10	F-4-1-28
CAP, GRIP	FOP-4-2-9	COLLAR, C.D.I. UNIT CASE	F-7-30-4	DOWEL PIN, 8X10	E-7-12
CAP, GRIP	FOP-8-1-55	COLLAR, C.D.I. UNIT CASE	F-8-28	DRIVER 3, MINUS SCREW(NO.2)	F-13-15
CAP, HANDLE	F-15-6	COLLAR, DISTANCE	F-4-33	<E>	
CAP, L. SIDE COVER	F-8-10-14	COLLAR, DISTANCE	F-4-1-36	E-RING, 10MM	F-4-34
CAP, OIL TANK	F-11-20-37	COLLAR, DISTANCE	FOP-1-18	E-RING, 10MM	F-4-1-37
CAP, OIL(YELLOW)	E-2-9	COLLAR, DISTANCE(A)	FOP-7-3	E-RING, 10MM	F-11-20-62
CAP, SWITCH	FOP-4-8	COLLAR, DISTANCE(B)	FOP-7-4	E-RING, 12MM	F-2-44
CAP, TIMING BELT TENSIONER	E-13-7	COLLAR, DISTANCE, 10X90	F-10-26	E-RING, 3MM	F-15-80
CAP, WATER JOINT	F-8-1	COLLAR, DISTANCE, 12.2X23X16	FOP-8-26	E-RING, 4MM	F-2-42
CARTRIDGE, OIL FILTER	E-3-7	COLLAR, DISTANCE, 6.1X9.1X20.5	F-8-10-24	E-RING, 4MM	F-8-10-26
CASE ASSY., GEAR	E-21-12	COLLAR, DISTANCE, 6.2X7.5	F-8-30	E-RING, 4MM	F-15-81
CASE ASSY., GEAR	F-3-20-1	COLLAR, DISTANCE, 6.2X7.5	F-8-10-25	E-RING, 4MM	FOP-8-1-76
CASE ASSY., GEAR	F-3-20-20	COLLAR, DISTANCE, 6.5X11X7.5	F-3-30-3	E-RING, 6MM	F-2-43
CASE ASSY., OIL	E-6-1	COLLAR, DISTANCE, 6.5X16X14.5	F-11-35	E-RING, 6MM	FOP-4-36
CASE COMP., MOUNT	E-6-9	COLLAR, DISTANCE, 6.5X16X16.5	FOP-8-10-5	E-RING, 6MM	FOP-4-2-41
CASE KIT, GEAR	F-3-10-1	COLLAR, DISTANCE, 6.5X9X3	F-3-11-33	E-RING, 6MM	FOP-4-4-28
CASE KIT, GEAR(P/T)	F-3-11-1	COLLAR, DISTANCE, 6.5X9X5	F-8-29	E-RING, 7MM	F-15-82

E-RING, 7MM	FOP-8-1-77	HANGER, ENGINE	E-3-3	LEVER, FASTENER	F-8-7
<F>		HARNES ASSY., MAIN WIRE	F-7-1	LEVER, FASTENER	F-8-10-12
FILTER	E-2-13	HARNES ASSY., POWER TRIM-TILT	F-15-1-27	LEVER, FRICTION	FOP-8-6
FLOAT	E-2-14	HARNES ASSY., REMOTE CONTROL	FOP-2-4-2	LEVER, HANDLE LOCK	F-15-4
FLOAT SET	E-18-10-2	HARNES ASSY., SWITCH PANEL	FOP-3-8	LEVER, HANDLE LOCK	F-15-1-3
FRAME ASSY., REMOTE CONTROL	F-15-1-10	HARNES ASSY., SWITCH PANEL	FOP-3-1-4	LEVER, IDLE	F-15-23
FRAME ASSY., SHIFT	FOP-8-1-5	HARNES COMP.	E-18-10-39	LEVER, SHIFT	FOP-8-1-4
FRAME ASSY., THROTTLE SUB	FOP-8-1-40	HARNES, TROLLING CONTROL	F-7-40-5	LIFTER, FUEL PUMP	E-2-11
FRAME, MOUNT	F-11-1	HEAD COMP., CYLINDER	E-2-2	LIMIT KIT, TILT	FOP-9-1
FRAME, THROTTLE	FOP-8-1-28	HOLDER	E-18-10-8	LINE COMP., FUEL	E-14-3
FUSE, BLADE(40A)	F-7-3	HOLDER ASSY., BRUSH	E-21-11	LINER, PUMP	F-4-3
FUSE, MINI(10A)	F-7-11	HOLDER, EX. PIPE GROMMET	F-3-1	LINER, PUMP	F-4-1-3
FUSE, MINI(15A)	F-7-12	HOLDER, NEUTRAL LOCK	FOP-4-4-14	LINER, PUMP	FOP-1-4
FUSE, MINI(30A)	F-7-13	HOLDER, OIL FILTER	E-3-18	LINER, SWIVEL CASE	F-11-4
<G>		HOLDER, PROPELLER SHAFT	F-5-12	LINK, THROTTLE	F-2-3
GASKET B, IMPELLER	F-4-1-6	HOLDER, PROPELLER SHAFT	F-5-1-12	LINKAGE, PIVOT	F-2-1
GASKET B, IMPELLER	FOP-1-8	HOLDER, SEAL	F-2-17	LOW PERMEATION HOSE L=1600	F-6-7
GASKET KIT(BF60)	EOP-1-1	HOLDER, SHIFT ROD	F-4-13	LOW PERMEATION HOSE L=700	F-6-6
GASKET, CYLINDER HEAD	E-2-5	HOLDER, SHIFT ROD	F-4-1-15	<M>	
GASKET, EX. PIPE	E-6-7	HOLDER, SWITCH	FOP-8-1-51	MANIFOLD COMP., INLET	E-14-10
GASKET, IMPELLER	F-4-6	HOLDER, WATER TUBE SEAL	F-4-4	MARK, CHANGE	FOP-8-28
GASKET, IMPELLER	FOP-1-7	HOLDER, WATER TUBE SEAL	F-4-1-4	MARK, EMERGENCY START(ENGLISH)	F-12-12
GASKET, MOUNT CASE	E-6-10	HOLDER, WATER TUBE SEAL	FOP-1-5	MARK, EMERGENCY SWITCH	FOP-8-10
GASKET, WATER PUMP	F-4-1-8	HOSE COMP., FUEL	E-18-9	MARK, FAST IDLE	F-15-50
GASKET, WATER PUMP	FOP-1-9	HOUSING	FOP-8-1-19	MARK, FLUSH MOUNT	FOP-4-4-19
GAUGE COMP., OIL LEVEL	E-6-5	HOUSING ASSY., INNER	F-15-1-22	MARK, FR. EMBLEM(TOYHATSU)	F-12-16
GEAR ASSY., INTERNAL	E-21-16	HOUSING ASSY., L. INNER	FOP-4-3	MARK, HANDLE FLUSH MOUNT	FOP-4-4-18
GEAR COMP., FR. BEVEL(28T)	F-5-1-8	HOUSING ASSY., L. INNER	FOP-4-2-3	MARK, L. SIDE STRIPE	F-12-15
GEAR COMP., FR. BEVEL(29T)	F-5-8	HOUSING ASSY., R. INNER	FOP-4-2-4	MARK, POWER THRUST	F-12-7
GEAR, PINION(12T)	F-4-1-18	HOUSING ASSY., R. INNER	FOP-4-4-2	MARK, R. SIDE STRIPE	F-12-14
GEAR, PINION(14T)	F-4-1-7	HOUSING ASSY., REMOTE CONTROL	F-15-1-7	MARK, REMOTE CONTROL(A)(PANEL)	F-15-1-31
GEAR, PLANET	E-21-5	HOUSING COMP., REMOTE CONTROL	F-15-11	MARK, REMOTE CONTROL(B)	F-15-1-32
GEAR, RR. BEVEL(28T)	F-5-1-9	HOUSING COMP., REMOTE CONTROL	F-15-12	MARK, REMOTE CONTROL(C)	F-15-1
GEAR, RR. BEVEL(29T)	F-5-9	HOUSING COMP., REMOTE CONTROL	FOP-4-13	MARK, REMOTE CONTROL(DUAL)	FOP-4-2-24
GEAR, SHIFT	FOP-8-1-37	HOUSING COMP., REMOTE CONTROL	FOP-4-2-14	MARK, REMOTE CONTROL(SINGLE)	FOP-4-21
GENERATOR ASSY., A.C.	E-19-1	HOUSING, IMPELLER	F-4-2	MARK, RR.	F-12-13
GENERATOR ASSY., A.C.	E-19-	HOUSING, IMPELLER	F-4-1-2	MARK, STARTER(ENGLISH)	FOP-8-11
GRIP ASSY., THROTTLE FRICTION	FOP-8-1-49	HOUSING, IMPELLER	FOP-1-3	MARK, THROTTLE(ENGLISH)	FOP-8-29
GRIP, REMOTE CONTROL HANDLE	F-15-5	HOUSING, LEAD	FOP-4-14	METAL COMP., ANODE	F-3-10-8
GRIP, REMOTE CONTROL HANDLE	F-15-1-4	HOUSING, LEAD	FOP-4-2-15	METAL COMP., ANODE	F-3-11-10
GRIP, REMOTE CONTROL HANDLE	FOP-4-6	HOUSING, LOWER CENTER MOUNTING	F-11-2	METAL KIT, ANODE	F-10-1
GRIP, REMOTE CONTROL HANDLE	FOP-4-2-7	HOUSING, LOWER MOUNTING	F-3-8	METAL, ANODE	E-2-1
GRIP, SCREW DRIVER	F-13-16	HOUSING, REMOTE CONTROL BOX(B)	F-15-1-12	METAL, ANODE	E-3-6
GROMMET	F-15-1-15	HOUSING, REMOTE CONTROL BOX(C)	F-15-13	METAL, JOINT	F-11-20-15
GROMMET	FOP-8-1-25	HOUSING, REMOTE CONTROL BOX(C)	F-15-1-14	METER LEAD WIRE	FOP-2-1-6
GROMMET, AIR GUIDE	E-15-10-7	HOUSING, WATER PUMP	F-4-1-7	MOTOR ASSY., POWER TILT	F-11-20-5
GROMMET, C.D.I. UNIT CASE(B)	F-7-20-5	HOUSING, WATER SEAL	F-4-16	MOTOR ASSY., STARTER	E-21-1
GROMMET, ELECTRONIC PARTS CASE	E-20-10-1	<I>		MOUNT COMP., LOWER RUBBER	F-3-9
GROMMET, ELECTRONIC PARTS CASE	F-7-20-4	IMPELLER, PUMP	F-4-1	MOUNT COMP., UPPER RUBBER	F-3-30-16
GROMMET, EX. PIPE	F-3-2	IMPELLER, PUMP	F-4-1-1	<N>	
GROMMET, EXTENSION CASE	F-3-5	IMPELLER, PUMP	FOP-1-2	NIPPLE, GREASE	F-11-33
GROMMET, GEAR CASE	F-3-10-4	INJECTOR ASSY., FUEL	E-14-1	NIPPLE, SENSOR	F-13-5
GROMMET, GEAR CASE	F-3-11-4	INSULATOR	E-18-10-28	NIPPLE, SENSOR	FOP-9-7
GROMMET, GEAR CASE	F-3-11-6	INSULATOR COMP.	E-18-10-27	NUT(1/4X20)	F-15-1-41
GROMMET, POWER TILT SWITCH	FOP-8-1-33	<J>		NUT, CASTLE, 16MM	F-5-15
GROMMET, POWER TILT SWITCH	FOP-8-1-34	JOINT A, BREATHER	FOP-9-3	NUT, CASTLE, 18MM	F-5-1-14
GROMMET, RELAY BRACKET	F-7-20-15	JOINT ASSY (INLET)	F-6-2	NUT, CLIP	F-8-23
GROMMET, REMOTE CONTROL CABLE	F-8-10-4	JOINT ASSY (OUTLET)	F-6-3	NUT, FLANGE CAP, 8MM	E-3-24
GROMMET, SIDE	FOP-8-1-45	JOINT SET	E-18-10-6	NUT, FLANGE, 10MM	F-3-30-22
GROMMET, SIDE COVER	F-7-30-3	JOINT, DRIVE	F-11-20-16	NUT, FLANGE, 10MM	F-10-18
GROMMET, STEERING HANDLE CABLE	FOP-8-3	JOINT, FUEL FEED HOSE	E-18-7	NUT, FLANGE, 5MM	FOP-3-3
GROMMET, TA SENSOR	E-15-10-9	JOINT, FUEL PIPE	E-14-5	NUT, FLANGE, 5MM	FOP-3-1-2
GROMMET, UNDER CASE	E-18-10-40	JOINT, FUEL PIPE	E-18-10-34	NUT, FLANGE, 6MM	F-7-20-23
GROMMET, UNDER CASE	F-7-30-2	JOINT, FUEL TUBE	E-15-10-3	NUT, FLANGE, 8MM	E-14-21
GROMMET, UNDER CASE	F-8-4	JOINT, THREE WAY	E-18-18	NUT, HEX., 12MM	F-10-27
GROMMET, UNDER CASE	F-8-10-3	JOINT, WATER HOSE	F-3-30-9	NUT, HEX., 12MM	FOP-8-18
GROMMET, UNDER CASE(C)	F-8-10-5	<K>		NUT, HEX., 12MM	FOP-8-27
GROMMET, VAPOR SEPARATOR	E-14-4	KEY, SPECIAL WOODRUFF, 25X18	E-7-9	NUT, HEX., 16MM	F-4-1-22
GROMMET, WATER CHECK	F-8-15	KEY, WOODRUFF	F-4-24	NUT, HEX., 16MM	F-8-24
GROMMET, WATER TUBE	E-6-8	KEY, WOODRUFF	F-4-1-27	NUT, HEX., 16MM	F-15-55
GUIDE COMP., AIR	E-15-10-4	KEY, WOODRUFF	FOP-1-14	NUT, HEX., 16MM	FOP-3-23
GUIDE, HARNES	FOP-8-1-46	KEY, WOODRUFF, 25X14	E-7-13	NUT, HEX., 16MM	FOP-3-1-16
GUIDE, OUTER TUBE	F-11-20-18	KIT, CABLE(NMEA)(6FT)	FOP-2-4-1	NUT, HEX., 16MM	FOP-8-1-63
GUIDE, SPRING	F-11-20-28	KNOB, RECOIL STARTER	F-13-1	NUT, HEX., 20MM	F-7-20-24
GUIDE, SPRING	FOP-8-1-29	<L>		NUT, HEX., 4MM	F-7-40-8
GUIDE, THROTTLE HARNES	FOP-8-1-39	LABEL, CAUTION OIL	F-12-10	NUT, HEX., 4MM	FOP-9-21
<H>		LABEL, CAUTION OPERATOR	F-12-11	NUT, HEX., 5MM	F-2-41
HANDLE KIT, STEERING (US)	FOP-8-1	LABEL, FUSE	F-12-2	NUT, HEX., 5MM	F-15-79
HANDLE, REMOTE CONTROL	F-15-3	LAMP ASSY., INDICATION	F-15-45	NUT, HEX., 5MM	FOP-4-29
HANDLE, REMOTE CONTROL	F-15-1-2	LAMP ASSY., INDICATION(4-LED)	FOP-3-18	NUT, HEX., 5MM	FOP-4-35
HANDLE, REMOTE CONTROL	FOP-4-4	LAMP ASSY., INDICATION(4-LED)	FOP-3-1-11	NUT, HEX., 5MM	FOP-4-2-33
HANDLE, REMOTE CONTROL	FOP-4-2-5	LAMP ASSY., INDICATOR	FOP-8-1-16	NUT, HEX., 5MM	FOP-4-2-34
HANDLE, REMOTE CONTROL	FOP-4-4-3	LEVER SET, SHIFT	E-21-18	NUT, HEX., 5MM	FOP-4-2-40

NUT, HEX., 5MM	FOP-9-20	O-RING, 94X4.1	F-5-1-24	PLATE, SHIFT CLAMP	FOP-8-1-44
NUT, HEX., 6MM	F-15-56	O-RING, PRESSURE REGULATOR	E-18-10-33	PLATE, SHIFT PIVOT	F-2-12
NUT, HEX., 6MM	F-15-78	O-RING, THERMOSTAT COVER	E-2-21	PLATE, SPRING SETTING	F-15-24
NUT, HEX., 6MM	FOP-4-4-25	O-RING, WATER PUMP	F-4-31	PLATE, STEERING	F-11-14
NUT, JOINT METAL	F-11-20-63	O-RING, WATER PUMP	F-4-1-34	PLATE, SWITCH	FOP-8-1-14
NUT, LOCK, 42MM	E-13-12	O-RING, WATER PUMP	FOP-1-16	PLATE, TDC PULSER	E-9-4
NUT, LOCK, 64MM	F-4-1-21	<P>		PLATE, TIMING BELT GUIDE	E-13-2
NUT, NYLON, 5MM	FOP-8-1-64	PACKING	E-18-10-13	PLATE, WINKER BUZZER	F-15-46
NUT, SELF-LOCK(3/8-24UNF)	F-11-24	PACKING, DUAL	FOP-4-2-19	PLATE, WINKER BUZZER	FOP-3-19
NUT, SELF-LOCK(7/8-14UNF)	F-10-17	PACKING, ELECTRONIC AIR	E-14-12	PLATE, WINKER BUZZER	FOP-3-1-12
NUT, SELF-LOCK, 12MM	F-3-19	PACKING, EX. WATER JACKET	E-2-23	PLUG COMP.	F-11-20-25
NUT, SELF-LOCK, 5MM	F-3-10-17	PACKING, FLASH VALVE	F-3-30-14	PLUG, INNER CONNECTOR	F-15-36
NUT, SELF-LOCK, 5MM	F-3-11-20	PACKING, HEAD COVER	E-2-7	PLUG, INNER CONNECTOR	FOP-2-4-3
NUT, SELF-LOCK, 6MM	F-3-10-15	PACKING, INTAKE MANIFOLD	E-14-8	PLUG, INNER CONNECTOR	FOP-3-10
NUT, SELF-LOCK, 6MM	F-3-11-18	PACKING, OIL PAN	E-6-2	PLUG, INNER CONNECTOR	FOP-3-1-5
NUT, SELF-LOCK, 8MM	FOP-8-19	PACKING, REGULATOR	E-3-10	PLUG, INNER CONNECTOR	FOP-8-1-9
NUT, SPECIAL(12MM)	F-4-21	PACKING, SINGLE	FOP-4-18	PLUG, OUTER CONNECTOR	F-15-37
NUT, TAPPET ADJUSTING	E-9-21	PACKING, THROTTLE BODY	E-14-9	PLUG, OUTER CONNECTOR	FOP-2-4-4
NUT, WATER MOUTH	F-3-30-8	PAD, THROTTLE FRICTION	FOP-8-1-53	PLUG, OUTER CONNECTOR	FOP-3-11
NUT,(3/8-24 UNF)	F-11-22	PANEL ASSY., INDICATOR(4-LED)	FOP-3-17	PLUG, OUTER CONNECTOR	FOP-3-1-6
NUT-WASHER, 8MM	F-7-8	PANEL ASSY., SWITCH	FOP-3-5	PLUG, SPARK(LMAR6C-9)	E-2-24
NUT-WASHER, 8MM	F-7-10-15	PANEL ASSY., TROLLING CONTROL	F-7-40-6	PORT, IDLE EXHAUST	F-3-30-4
<O>		PANEL KIT, SWITCH(4-LED)	FOP-3-1-1	PRIMER BULB	F-6-4
OIL SEAL	F-11-20-45	PANEL KIT, SWITCH(B)(4-LED)	FOP-3-1	PRIMER BULB ASSY	F-6-1
OIL SEAL, 14X26X6	F-2-36	PANEL, CONTROL	FOP-3-6	PROPELLER COMP., THREE BLADES	FOP-6-1
OIL SEAL, 31X46X7(NOK)	E-5-7	PANEL, CONTROL	FOP-3-7	PROPELLER COMP., THREE BLADES	FOP-6
OIL SEAL, 35X52X8(ARAI)	E-2-41	PANEL, CONTROL	FOP-3-1-3	PROPELLER COMP., THREE BLADES	FOP-6
OIL SEAL, 39.5X52X6(ARAI)	F-11-34	PIN, 5X44.5	F-8-10-21	PROPELLER COMP., THREE BLADES	FOP-6
OIL SEAL, 52X72X8(NOK)	E-3-27	PIN, 5X59	F-8-27	PROPELLER COMP., THREE BLADES	FOP-6
O-RING	E-2-17	PIN, 6X6	F-15-65	PROPELLER COMP., THREE BLADES	FOP-6
O-RING	E-2-18	PIN, GEARSHIFT	F-15-1-45	PROPELLER COMP., THREE BLADES	FOP-6
O-RING	E-14-14	PIN, LINK	F-2-33	PROPELLER COMP., THREE BLADES	FOP-6
O-RING	E-18-10-12	PIN, LINK	F-2-35	PROPELLER COMP., THREE BLADES	FOP-6
O-RING	E-18-10-14	PIN, LOCK, 6MM	F-15-64	PROPELLER COMP., THREE BLADES	FOP-6
O-RING	E-18-10-15	PIN, PISTON	E-7-3	PROPELLER COMP., THREE BLADES	FOP-6
O-RING	E-18-10-16	PIN, SHIFT LINK	F-2-34	PROPELLER COMP., THREE BLADES	FOP-6
O-RING	E-18-10-18	PIN, SHIFTER, 6.3X33	F-5-2	PROPELLER COMP., THREE BLADES	FOP-6
O-RING	F-3-11-31	PIN, SHIFTER, 8X47	F-5-1-2	PULLER, MINI FUSE(SUMITOMO)	F-13-4
O-RING	F-4-1-33	PIN, SLIDE	FOP-8-1-36	PULLEY, TIMING BELT DRIVE(19T)	E-13-1
O-RING, 1.5X3.5	F-11-20-49	PIN, SNAP, 6MM	F-2-32	PULLEY, TIMING BELT DRIVEN	E-13-4
O-RING, 1.5X6.5	F-11-20-48	PIN, SPLIT, 4.0	F-3-10-22	PUMP	F-11-20-17
O-RING, 1.8X10.8	F-11-20-55	PIN, SPLIT, 4.0	F-3-11-26	PUMP ASSY., FUEL	E-2-10
O-RING, 1.8X69.6	F-11-20-47	PIN, SPLIT, 4.0	F-5-20	PUMP ASSY., OIL	E-5-1
O-RING, 1.9X15.8	F-11-20-59	PIN, SPLIT, 4.0	F-5-1-18	PUMP KIT, IMPELLER	FOP-1-1
O-RING, 13X3.0	E-6-19	PIN, SPRING, 2.0X12	F-8-26	PUMP KIT, IMPELLER	FOP-1
O-RING, 15.54X2.26	F-10-25	PIN, SPRING, 2.5X20	F-11-32	PUMP UNIT, FUEL	E-18-10-31
O-RING, 15X1.9	E-2-46	PIN, SPRING, 2.5X8	F-10-24	<R>	
O-RING, 15X1.9	E-19-11	PIN, UPPER CYLINDER	F-11-20-35	RECTIFIER ASSY., REGULATOR	E-3-8
O-RING, 16MM	F-3-30-29	PINION ASSY.	E-21-4	REGULATOR ASSY., PRESSURE	E-18-10-32
O-RING, 2.0X28.5	F-11-20-57	PIPE COMP., EX.	E-6-6	RELAY ASSY., MAIN	F-7-5
O-RING, 2.0X34.5	F-11-20-58	PIPE, HARNESS GUIDE	F-15-33	RELAY ASSY., POWER TILT	F-7-20-13
O-RING, 2.0X45.5	F-11-20-56	PIPE, OIL STRAINER	E-6-4	RESERVOIR	F-11-20-36
O-RING, 2.0X49.5	F-11-20-52	PIPE, THREE WAY JOINT	E-18-10-37	RETAINER	F-15-1-13
O-RING, 2.0X52.5	F-11-20-51	PIPE, THROTTLE GRIP	FOP-8-1-54	RETAINER, VALVE SPRING	E-9-17
O-RING, 2.0X55.5	F-11-20-50	PISTON	E-7-2	RING	E-18-10-29
O-RING, 2.4X15.8	F-11-20-60	PIVOT, SHIFT	F-2-13	RING SET, PISTON(STD.)(RIKEN)	E-7-1
O-RING, 2.4X41.2	F-11-20-54	PIVOT, SHIFT	F-15-18	RING, BACKUP	E-18-10-17
O-RING, 20.6X1.9	FOP-8-1-73	PIVOT, SHIFT SLIDE	F-2-14	RING, CROSS PIN	F-5-3
O-RING, 21.2X2.4(ARAI)	E-5-8	PLATE	E-18-10-11	RING, CROSS PIN	F-5-1-3
O-RING, 26.9X2.4(NOK)	F-2-38	PLATE COMP., SLIDING	F-15-16	RING, SEAL	E-14-2
O-RING, 26X2.7	E-2-42	PLATE COMP., THROTTLE	F-2-4	RING, STOPPER	F-4-12
O-RING, 3.5X41.7	F-11-20-53	PLATE, AIR GUIDE	E-15-10-5	RING, STOPPER	F-4-1-14
O-RING, 31.2X2.4	E-2-44	PLATE, BALL GUIDE	FOP-8-1-38	ROD A COMP., SHIFT(L)	F-4-1-11
O-RING, 33.7X3.5	F-3-10-28	PLATE, CABLE CLAMP	FOP-4-11	ROD A COMP., SHIFT(L)	F-4-1-13
O-RING, 33.7X3.5	F-4-30	PLATE, CABLE CLAMP	FOP-4-2-12	ROD COMP., ADJUSTING	F-10-7
O-RING, 46.8X2.2(NOK)	E-2-43	PLATE, CRANK PULSER	E-13-3	ROD COMP., CONNECTING	E-7-5
O-RING, 5.1X2.2(ARAI)	E-3-28	PLATE, DWELL	FOP-4-15	ROD COMP., PISTON	F-11-20-14
O-RING, 58.5X3.5	F-3-10-30	PLATE, DWELL	FOP-4-2-16	ROD COMP., SHIFT	F-4-9
O-RING, 58.5X3.5	F-4-32	PLATE, DWELL	FOP-4-4-10	ROD COMP., SHIFT(L)	F-4-1-11
O-RING, 58.5X3.5	F-4-1-35	PLATE, FRICTION	FOP-8-5	ROD COMP., THROTTLE	F-2-2
O-RING, 58.5X3.5	FOP-1-17	PLATE, HANDLE	FOP-4-10	ROD KIT, STEERING	FOP-8-10-1
O-RING, 6.9X1.45	F-3-10-26	PLATE, HANDLE	FOP-4-2-11	ROD, STEERING	F-11-15
O-RING, 6.9X1.45	F-3-10-27	PLATE, HARNESS	FOP-8-1-52	ROD, STEERING	F-11-16
O-RING, 6.9X1.45	F-3-11-29	PLATE, LEVER SETTING	F-15-9	ROD, STEERING	FOP-8-10-2
O-RING, 6.9X1.45	F-3-11-30	PLATE, LOCK	F-2-15	ROLLER	FOP-8-1-35
O-RING, 7.3X2.2	E-14-22	PLATE, LOCK	FOP-8-1-23	ROLLER, 3X12.8	F-5-23
O-RING, 7.8X1.9(ARAI)	E-14-23	PLATE, REMOTE CONTROL	F-15-48	ROLLER, 3X12.8	F-5-1-22
O-RING, 7.8X1.9(ARAI)	E-18-10-47	PLATE, REMOTE CONTROL CABLE	F-2-5	ROLLER, 4X8	E-9-22
O-RING, 76.5X3	F-3-10-29	PLATE, RUBBER SETTING	F-3-10-2	ROLLER, 5X8	E-5-9
O-RING, 76.5X3	F-5-25	PLATE, RUBBER SETTING	F-3-11-2	ROLLER, CAM	FOP-8-1-42
O-RING, 9.5X1.9	E-2-45	PLATE, SET	F-11-20-34	ROLLER, CLICK	F-15-67
O-RING, 9.5X1.9	E-3-29	PLATE, SHIFT	F-5-7	ROLLER, PLATE	FOP-8-1-41
O-RING, 94X4.1	F-3-11-32	PLATE, SHIFT	F-5-1-7	ROLLER, SHIFT CLICK	F-15-1-47

ROPE, RECOIL STARTER	F-13-2	SEAL A, VALVE STEM(NOK)	E-9-1	SPACER, NEUTRAL SWITCH.....	F-15-31
ROTOR	E-19-2	SEAL B, COVER UNDER	F-3-10	SPACER, REMOTE CONTROL BOX	F-15-27
RUBBER, CUSHION	F-8-11	SEAL B, VALVE STEM(NOK)	E-9-2	SPOOL COMP.	F-11-20-23
RUBBER, FENDER MOUNTING	F-8-6	SEAL SET	E-18-10-10	SPRING	FOP-8-1-32
RUBBER, FENDER MOUNTING	F-8-10-9	SEAL, ENGINE COVER	F-8-10-11	SPRING COMP., CLICK	F-2-9
RUBBER, GRIP.....	FOP-8-1-56	SEAL, RR. UNDER COVER	F-8-12	SPRING COMP., TIMING BELT	E-13-8
RUBBER, MOUNT CASE SEAL	F-3-30-15	SEAL, WATER	F-11-20-46	SPRING, ACCELERATOR WHEEL	F-15-22
RUBBER, OIL PUMP	F-3-30-2	SEAL, WATER CHECK GROMMET.....	F-8-16	SPRING, ADJUSTING ROD	F-10-9
RUBBER, TROLLING CONTROL	F-7-40-2	SEAL, WATER(14X26X8)	F-2-37	SPRING, CHOKE RETURN	F-15-26
RUBBER, WATER TUBE SEAL	F-4-8	SEAL, WATER, 12X21X6	F-3-10-25	SPRING, CLICK ASSIST	F-2-10
RUBBER, WATER TUBE SEAL	F-4-1-10	SEAL, WATER, 12X21X6	F-3-11-28	SPRING, COMPRESSION	E-18-10-36
RUBBER, WATER TUBE SEAL	FOP-1-10	SEAL, WATER, 12X21X6	F-4-29	SPRING, EX. VALVE	E-9-16
<S>		SEAL, WATER, 12X21X6	F-4-1-32	SPRING, FLUSH VALVE	F-3-30-12
SCREEN COMP., FUEL STRAINER	E-18-10-35	SEAL, WATER, 17X26X7	F-3-30-28	SPRING, GEAR SHIFT	F-15-1-20
SCREEN, L. WATER	F-3-10-6	SEAL, WATER, 17X36X6	F-3-10-23	SPRING, IN. VALVE	E-9-15
SCREEN, L. WATER	F-3-11-8	SEAL, WATER, 17X36X6	F-4-28	SPRING, MOTOR	F-11-20-10
SCREEN, R. WATER	F-3-10-5	SEAL, WATER, 22X35X7	F-3-10-24	SPRING, NEUTRAL LOCK ARM	FOP-4-4-7
SCREEN, R. WATER	F-3-11-7	SEAL, WATER, 22X35X7	F-5-24	SPRING, RELIEF VALVE	E-5-4
SCREW A	F-15-1-33	SEAL, WATER, 23X36X6	F-4-1-31	SPRING, REMOTE CONTROL HANDLE ..	F-15-8
SCREW B	F-15-1-34	SEAL, WATER, 23X36X6	FOP-1-15	SPRING, REMOTE CONTROL HANDLE ..	F-15-1-5
SCREW C	F-15-1-35	SEAL, WATER, 30X45X7	F-3-11-27	SPRING, SHIFT	F-5-6
SCREW SET	E-15-1	SEAL, WATER, 30X45X7	F-5-1-23	SPRING, SHIFT CLICK	F-15-25
SCREW SET, DRAIN.....	E-18-10-5	SEAT B, VALVE	F-11-20-30	SPRING, SHIFT CLICK	F-15-1-24
SCREW(10-32X3/8)	F-15-1-39	SEAT, VALVE SPRING	E-9-18	SPRING, SHIFT ROD	F-4-10
SCREW(10-32X5/8)	F-15-1-40	SEAT, WATER MOUTH.....	F-3-30-10	SPRING, SHIFT ROD	F-4-1-12
SCREW(8-32X3/8)	F-15-1-38	SENSOR ASSY., AIR TEMP	E-15-10-8	SPRING, SHIFT(POWER THRUST)	F-5-1-6
SCREW, 6X95	F-15-54	SENSOR ASSY., CRANK	E-19-5	SPRING, TILT LEVER	F-11-10
SCREW, FLAT, 5X12	F-15-53	SENSOR ASSY., MAP	E-14-13	SPRING, VALVE	F-11-20-31
SCREW, FLAT, 5X14	FOP-8-1-59	SENSOR ASSY., TDC	E-2-27	STATOR	E-19-3
SCREW, FLAT, 5X37	F-3-10-12	SENSOR ASSY., TRIM ANGLE	F-10-2	STATOR	E-19-
SCREW, FLAT, 5X55	F-3-11-12	SENSOR ASSY., WATER	E-2-26	STAY	FOP-8-1-43
SCREW, FRICTION	F-15-1-36	SENSOR ASSY., WATER	E-3-13	STAY, FUEL STRAINER	E-14-7
SCREW, PAN	E-18-10-21	SENSOR, OXYGEN	E-2-25	STAY, POWER TILT SWITCH	F-8-3
SCREW, PAN, 4X10	FOP-4-26	SEPARATOR ASSY., VAPOR	E-18-10-30	STOPPER SET, WASHER	E-21-9
SCREW, PAN, 4X10	FOP-4-2-29	SHAFT ASSY., PROPELLER	F-5-10	STOPPER, ENGINE SIDE.....	F-3-30-1
SCREW, PAN, 4X14	FOP-9-18	SHAFT ASSY., PROPELLER	F-5-1-10	STOPPER, ROD	F-10-8
SCREW, PAN, 5X10	F-15-72	SHAFT ASSY., THROTTLE	FOP-8-1-27	STOPPER, SHIFT.....	FOP-8-1-24
SCREW, PAN, 5X10	FOP-4-23	SHAFT COMP., ROCKER	E-9-9	STOPPER, TILT	F-11-13
SCREW, PAN, 5X10	FOP-4-2-26	SHAFT COMP., SHIFT	F-2-18	STRAINER ASSY., FUEL	E-2-12
SCREW, PAN, 5X14	FOP-8-1-75	SHAFT COMP., TILT	F-10-10	STRAINER COMP., FUEL	E-18-17
SCREW, PAN, 5X16	FOP-4-22	SHAFT, GEAR SHIFT	F-15-1-19	STRAINER COMP., OIL	E-6-3
SCREW, PAN, 5X16	FOP-4-2-25	SHAFT, HANDLE	F-15-1-17	SUB HARNESS ASSY., POWER	FOP-4-19
SCREW, PAN, 5X16	FOP-4-4-20	SHAFT, PINION	E-21-15	SUB HARNESS ASSY., POWER	FOP-4-2-20
SCREW, PAN, 5X18	FOP-4-25	SHAFT, PROPELLER	F-5-11	SUB HARNESS ASSY., POWER	FOP-4-2-21
SCREW, PAN, 5X18	FOP-4-2-28	SHAFT, PROPELLER(POWER THRUST) ..	F-5-1-11	SUB HARNESS ASSY., POWER	FOP-4-4-16
SCREW, PAN, 5X20	E-2-47	SHAFT, SWIVEL	F-11-9	SUSPENSION, COUPLER	F-7-2
SCREW, PAN, 5X20	F-11-20-42	SHAFT, THROTTLE BUTTON	FOP-4-4-9	SUSPENSION, IGNITION COIL.....	E-20-10-6
SCREW, PAN, 5X20	FOP-4-24	SHAFT, VERTICAL(L)	F-4-14	SUSPENSION, RELAY	F-7-6
SCREW, PAN, 5X20	FOP-4-2-27	SHAFT, VERTICAL(L)	F-4-1-16	SUSPENSION, STARTER	E-21-19
SCREW, PAN, 5X20	FOP-9-19	SHIFTER, CLUTCH	F-5-1	SUSPENSION, STRAINER	E-2-16
SCREW, PAN, 5X30	FOP-4-4-22	SHIFTER, CLUTCH(POWER THRUST)	F-5-1-1	SUSPENSION, WARNING BUZZER	FOP-8-1-18
SCREW, PAN, 5X40	FOP-3-22	SHIM A, BEVEL(FR.)(0.10)	F-5-1-17	SWITCH ASSY., COMBINATION	F-15-39
SCREW, PAN, 5X40	FOP-3-1-15	SHIM A, GEAR(0.10)	F-4-1-26	SWITCH ASSY., COMBINATION	FOP-3-13
SCREW, PAN, 5X40	FOP-4-28	SHIM B, BEVEL(FR.)(0.15)	F-5-1-	SWITCH ASSY., COMBINATION	FOP-3-1-7
SCREW, PAN, 5X40	FOP-4-2-31	SHIM B, GEAR(0.15)	F-4-1-	SWITCH ASSY., COMBINATION	FOP-8-1-10
SCREW, PAN, 5X55	FOP-4-2-32	SHIM C, BEVEL(FR.)(0.30)	F-5-1-	SWITCH ASSY., EMERGENCY STOP	F-15-42
SCREW, PAN, 5X65	FOP-4-34	SHIM C, GEAR(0.30)	F-4-1-	SWITCH ASSY., EMERGENCY STOP	F-15-1-28
SCREW, PAN, 5X65	FOP-4-2-39	SHIM D, BEVEL(FR.)(0.50)	F-5-1-	SWITCH ASSY., EMERGENCY STOP	FOP-3-14
SCREW, PAN, 6X10	F-15-52	SHIM D, GEAR(0.50)	F-4-1-	SWITCH ASSY., EMERGENCY STOP	FOP-3-1-8
SCREW, PAN, 6X18	E-3-31	SHIM, FR. BEVEL(A)(51X57X0.10)	F-5-19	SWITCH ASSY., EMERGENCY STOP	FOP-8-1-11
SCREW, PAN, 6X18	FOP-4-27	SHIM, FR. BEVEL(B)(51X57X0.15)	F-5-	SWITCH ASSY., MAGNETIC	E-21-14
SCREW, PAN, 6X18	FOP-4-2-30	SHIM, FR. BEVEL(C)(51X57X0.30)	F-5-	SWITCH ASSY., NEUTRAL	F-7-20-9
SCREW, PAN, 6X35	FOP-4-4-23	SHIM, FR. BEVEL(D)(51X57X0.50)	F-5-	SWITCH ASSY., OIL PRESSURE	E-3-12
SCREW, PAN, 6X8	F-3-17	SHIM, GEAR(A)(40X46X0.10)	F-4-23	SWITCH ASSY., POWER TILT	F-8-2
SCREW, PAN, 6X8	F-11-20-41	SHIM, GEAR(B)(40X46X0.15)	F-4-	SWITCH ASSY., POWER TILT	FOP-8-1-13
SCREW, PAN, 6X8	FOP-9-14	SHIM, GEAR(C)(40X46X0.30)	F-4-	SWITCH ASSY., POWER TRIM-TILT	F-15-40
SCREW, RIVET, 5X10	F-8-22	SHIM, GEAR(D)(40X46X0.50)	F-4-	SWITCH ASSY., POWER TRIM-TILT	F-15-1-30
SCREW, RIVET, 5X10	FOP-9-15	SLEEVE COMP.	F-11-20-24	SWITCH ASSY., POWER TRIM-TILT	FOP-4-20
SCREW, TAPPET ADJUSTING	E-9-14	SLIDER COMP., SHIFT	F-5-4	SWITCH ASSY., POWER TRIM-TILT	FOP-4-2-22
SCREW, TAPPING, 5X10	F-15-74	SLIDER COMP., SHIFT	F-5-1-4	SWITCH ASSY., POWER TRIM-TILT	FOP-4-2-23
SCREW, TAPPING, 5X12	F-15-75	SLIDER, SHIFT	F-5-5	SWITCH ASSY., POWER TRIM-TILT	FOP-4-4-17
SCREW, TAPPING, 5X20	E-15-10-11	SLIDER, SHIFT(POWER THRUST)	F-5-1-5	SWITCH ASSY., TILT LIMIT	FOP-9-5
SCREW, TAPPING, 5X25	F-15-77	SLINGER, OIL	F-4-15	SWITCH ASSY., TROLLING CONTROL ..	F-7-40-1
SCREW, TAPPING, 5X8	F-15-73	SLINGER, OIL	F-4-1-17	SWITCH ASSY., TROLLING CONTROL ..	FOP-8-1-12
SCREW, TAPPING, 6X16	F-15-76	SPACER	FOP-8-1-26	<T>	
SCREW, TAPPING, 6X30	FOP-4-4-24	SPACER KIT, REMOTE CONTROL BOX ..	FOP-4-2	TAB, TRIM	F-3-10-7
SCREW, TRUSS, 4X12	FOP-4-4-21	SPACER KIT, REMOTE CONTROL BOX ..	FOP-4-2-2	TAB, TRIM	F-3-11-9
SCREW, WASHER	E-18-10-22	SPACER, 10MM	F-5-13	TACHOMETER HOUR METER (BLACK) ..	FOP-2-1-4
SCREW,(M4X16)	E-21-3	SPACER, CABLE CLAMP	F-15-34	TENSIONER COMP., TIMING BELT	E-13-6
SCREW-WASHER	E-18-10-19	SPACER, CABLE CLAMP	FOP-4-17	TERMINAL, CABLE	FOP-4-16
SCREW-WASHER	E-18-10-20	SPACER, CABLE CLAMP	FOP-4-2-18	TERMINAL, CABLE	FOP-4-2-17
SCREW-WASHER.....	F-11-20-38	SPACER, CABLE CLAMP	FOP-4-4-13	TERMINAL, CABLE	FOP-4-4-12
SEAL A, COVER UNDER	F-3-30-18	SPACER, CLICK SPRING	F-15-28	THERMOSTAT ASSY.	E-2-19

TIE, CABLE.....	FOP-2-4-5	WASHER, PLAIN, 10MM.....	F-10-20
TIE, CABLE(NATURAL)(2.4X92).....	F-7-20-8	WASHER, PLAIN, 12MM.....	F-3-22
TIE, CABLE(NATURAL)(2.4X92).....	F-15-38	WASHER, PLAIN, 12MM.....	F-3-26
TIE, CABLE(NATURAL)(2.4X92).....	FOP-3-12	WASHER, PLAIN, 12MM.....	F-4-22
TRIM METER ASSY (BLACK).....	FOP-2-1-1	WASHER, PLAIN, 12MM.....	F-4-1-23
TRIM-TILT ASSY., POWER.....	F-11-20-13	WASHER, PLAIN, 12MM.....	F-10-21
TUBE A, AIR VENT.....	E-18-10-23	WASHER, PLAIN, 12MM.....	F-10-22
TUBE A, WATER.....	F-3-30-5	WASHER, PLAIN, 12MM.....	FOP-8-24
TUBE B, AIR VENT.....	E-18-10-24	WASHER, PLAIN, 12MM.....	FOP-8-25
TUBE B, CHECK VALVE.....	E-18-3	WASHER, PLAIN, 18.5MM.....	F-5-1-16
TUBE B, WATER.....	F-3-30-6	WASHER, PLAIN, 4MM.....	F-15-57
TUBE C, AIR VENT.....	E-18-4	WASHER, PLAIN, 4MM.....	FOP-9-16
TUBE C, FUEL.....	E-18-14	WASHER, PLAIN, 5MM.....	F-15-58
TUBE C, WATER.....	F-3-30-7	WASHER, PLAIN, 5MM.....	F-15-59
TUBE COMP. A, BREATHER.....	E-15-10-1	WASHER, PLAIN, 5MM.....	FOP-3-25
TUBE COMP. A, FUEL.....	E-18-11	WASHER, PLAIN, 5MM.....	FOP-3-1-18
TUBE COMP. B, BREATHER.....	E-15-10-2	WASHER, PLAIN, 5MM.....	FOP-4-31
TUBE COMP. B, FUEL.....	E-18-12	WASHER, PLAIN, 5MM.....	FOP-4-33
TUBE COMP., DRAIN.....	E-18-2	WASHER, PLAIN, 5MM.....	FOP-4-2-36
TUBE D, AIR VENT.....	E-18-5	WASHER, PLAIN, 5MM.....	FOP-4-2-38
TUBE D, FUEL.....	E-18-13	WASHER, PLAIN, 6MM.....	F-2-26
TUBE E, AIR VENT.....	E-18-6	WASHER, PLAIN, 6MM.....	F-4-1-24
TUBE KIT, SPEED SENSOR.....	FOP-9-2	WASHER, PLAIN, 6MM.....	F-11-27
TUBE, 5X530.....	FOP-9-22	WASHER, PLAIN, 6MM.....	F-15-60
TUBE, 5X950.....	FOP-9-23	WASHER, PLAIN, 6MM.....	FOP-4-4-27
TUBE, CORD, 30MM.....	FOP-8-1-74	WASHER, PLAIN, 6MM.....	FOP-8-10-4
TUBE, CORRUGATE(28MM).....	F-15-1	WASHER, PLAIN, 8MM.....	E-6-16
TUBE, FLUSH VALVE.....	F-3-30-30	WASHER, PLAIN, 8MM.....	F-2-30
TUBE, FUEL, 5.3X35.....	E-18-28	WASHER, PLAIN, 8MM.....	F-3-21
TUBE, FUEL, 8X130.....	F-3-30-32	WASHER, PLAIN, 8MM.....	F-3-10-19
TUBE, OIL.....	E-2-8	WASHER, PLAIN, 8MM.....	F-3-11-22
TUBE, OUTER.....	F-11-20-32	WASHER, PLAIN, 8MM.....	F-7-10-17
TUBE, PRESSURE REGULATOR.....	E-18-8	WASHER, PLAIN, 8MM.....	F-15-62
TUBE, SPIRAL.....	FOP-9-6	WASHER, PLATE.....	FOP-8-1-68
TUBE, SPIRAL(12X14.6).....	F-11-20-4	WASHER, PROPELLER THRUST.....	F-5-17
TUBE, WATER(L).....	F-4-7	WASHER, PROPELLER THRUST.....	F-5-1-15
TUBE, WATER(L)(POWER THRUST).....	F-4-1-9	WASHER, SEAL.....	F-11-20-43
<V>		WASHER, SEALING, 24MM.....	E-3-2
VALVE ASSY., ELECTRONIC AIR.....	E-14-11	WASHER, SEALING, 6MM.....	E-3-25
VALVE COMP.....	F-11-20-27	WASHER, SEALING, 6MM.....	E-18-10-45
VALVE COMP. B.....	F-11-20-22	WASHER, SHIFT SHAFT.....	F-2-25
VALVE COMP., MANUAL.....	F-11-20-26	WASHER, SIDE, 14MM.....	F-2-24
VALVE SET.....	F-11-20-29	WASHER, SPRING, 4MM.....	F-7-40-9
VALVE SET, FLOAT.....	E-18-10-1	WASHER, SPRING, 5MM.....	FOP-3-26
VALVE, CHECK.....	E-18-20	WASHER, SPRING, 5MM.....	FOP-3-1-19
VALVE, EX.....	E-9-13	WASHER, THRUST.....	E-7-10
VALVE, FLASH.....	F-3-30-13	WASHER, THRUST.....	E-9-10
VALVE, IN.....	E-9-12	WASHER, THRUST, 34MM.....	F-11-26
VALVE, RELIEF.....	E-5-3	WASHER, WAVE, 14MM.....	FOP-8-20
<W>		WASHER, WAVE, 26MM.....	F-10-19
WASHER.....	F-15-1-42	WASHER, WAVE, 40MM.....	F-11-25
WASHER.....	F-15-1-43	WHEEL, ACCELERATOR.....	F-15-21
WASHER.....	FOP-8-1-65	WHEEL, CONTROL.....	F-15-14
WASHER.....	FOP-8-1-67	WHEEL, CONTROL.....	F-15-1-16
WASHER, 10MM.....	F-11-28	WIRE, FASTENER.....	F-8-8
WASHER, 10MM.....	FOP-8-22	WIRE, FASTENER.....	F-8-10-13
WASHER, 12.5X34X5.....	E-13-13	WIRE, LEAD(1.5X116MM).....	F-3-7
WASHER, 13MM.....	F-2-28	WIRE, LEAD(1.5X116MM).....	F-11-20-11
WASHER, 14MM.....	F-2-27	WRENCH, BOX(10MM).....	F-13-10
WASHER, 17MM.....	F-5-18	WRENCH, PLUG.....	F-13-9
WASHER, 22MM.....	F-5-16	<Y>	
WASHER, 28MM.....	F-15-63	YOKE ASSY.....	E-21-6
WASHER, 5MM.....	FOP-8-1-69	YOKE COMP.....	F-11-20-9
WASHER, 6MM.....	F-15-61		
WASHER, 8MM.....	F-4-1-25		
WASHER, 8MM.....	FOP-1-13		
WASHER, 8MM.....	FOP-8-21		
WASHER, 8MM.....	FOP-8-1-66		
WASHER, DRAIN PLUG, 12MM.....	E-6-17		
WASHER, DRAIN PLUG, 20MM.....	E-2-48		
WASHER, IN. WAVE.....	E-9-11		
WASHER, LOCK, 5MM.....	FOP-4-30		
WASHER, LOCK, 5MM.....	FOP-4-2-35		
WASHER, LOCK, 5MM.....	FOP-4-4-26		
WASHER, LOCK, 6MM.....	FOP-4-32		
WASHER, LOCK, 6MM.....	FOP-4-2-37		
WASHER, NYLON, 8MM.....	F-2-29		
WASHER, NYLON, 8MM.....	FOP-8-23		
WASHER, PIVOT.....	F-2-8		
WASHER, PLAIN, 10MM.....	E-13-14		
WASHER, PLAIN, 10MM.....	F-3-10-20		
WASHER, PLAIN, 10MM.....	F-3-11-23		
WASHER, PLAIN, 10MM.....	F-3-30-23		

INDEX (Parts Number)

332-70201-0	F-6-8	HCO-94111-05400	FOP-3-26	HMJ0-91308-003	F-3-11-31	HSC2-90649-003	FOP-3-24
3C7-70217-0	F-6-5	HCO-94111-05400	FOP-3-1-19	HMJ0-91308-003	F-4-1-33	HSC2-90649-003	FOP-3-1-17
3C7-70220-1	F-6-2	HCO-94301-06100	E-6-20	HMM4-90105-000	F-15-52	HSD2-90705-931	F-2-32
3C7-70224-1	F-6-3	HCO-94301-08100	E-7-12	HMR5-16966-000	E-15-10-3	HSE0-53740-953	E-18-21
3FF-70200-4	F-6-1	HCO-94301-14200	E-3-32	HMT8-18334-770	FOP-3-3	HSJ6-47585-003	E-18-10-41
3GF-70211-1	F-6-4	HCO-94401-25140	E-7-13	HMT8-18334-770	FOP-3-1-2	HSL9-91507-003	F-7-9
3GF-70240-1	F-6-7	HCO-94510-14000	F-5-1-25	HMV5-91005-601	F-5-1-19	HSTK-91540-003	FOP-2-4-6
3GF-70241-1	F-6-6	HCO-94540-03029	F-15-80	HP01-91212-003	E-5-7	HSZ5-91531-003	E-18-27
3PU-72537-0	FOP-2-1-6	HCO-94540-04029	F-2-42	HP08-14775-000	E-9-18	HV15-90402-003	F-11-20-43
3PV-72571-0	FOP-2-1-1	HCO-94540-04029	F-8-10-26	HP2A-37881-000	E-15-10-9	HZ0G-16446-003	F-7-20-1
3PV-72637-0	FOP-2-1-4	HCO-94540-04029	F-15-81	HPC6-90402-000	E-13-13	HZC0-63515-700	F-8-10-14
H341-38403-672	F-15-46	HCO-94540-04029	FOP-8-1-76	HPC9-91331-003	E-5-8	HZE2-90601-000	E-6-17
H341-38403-672	FOP-3-1-9	HCO-94540-06029	F-2-43	HPD2-90701-000	E-3-26	HZE3-91201-004	E-2-41
H341-38403-672	FOP-3-1-12	HCO-94540-06029	FOP-4-36	HPD6-90430-003	E-18-10-45	HZH8-28461-013	F-13-1
H355-89217-000	F-13-10	HCO-94540-06029	FOP-4-2-41	HPPE-15301-300	E-5-6	HZJ1-91408-810	FOP-8-1-74
H357-13331-000	E-7-9	HCO-94540-06029	FOP-4-4-28	HPFO-91302-003	F-2-38	HZV0-90017-C10	F-2-20
H397-90442-000	E-3-25	HCO-94540-07029	F-15-82	HPFB-15231-003	E-5-3	HZV0-90113-000	F-11-18
H437-50142-970	F-7-30-3	HCO-94540-07029	FOP-8-1-77	HPFB-15400-014	E-3-7	HZV0-90113-000	FOP-8-10-3
H590-90015-000	E-3-18	HCO-94540-10019	F-4-34	HPG7-16741-005	E-18-10-33	HZV0-90604-000	E-18-24
H723-90472-000	F-4-22	HCO-94540-10019	F-4-1-37	HPGK-37835-A01	E-14-14	HZV0-90604-000	F-3-30-25
H723-90472-000	F-11-4-23	HCO-94540-10029	F-11-20-62	HPGC-37880-004	E-15-10-8	HZV1-90506-000	FOP-8-20
H750-90628-000	FOP-9-17	HCO-94540-12029	F-2-44	HPM3-14744-000	E-9-14	HZV4-12155-A00	E-2-1
H763-90681-A01	F-10-23	HCO-95001-55035-40	E-18-28	HPM3-90206-004	E-9-21	HZV4-16910-015	E-18-17
H766-56113-801	F-11-20-16	HCO-95001-80130-40	F-3-30-32	HPNA-91307-003	E-2-45	HZV4-36182-651	F-15-43
H800-91303-000	F-3-30-29	HCO-95005-50530-30	FOP-9-22	HPNA-91307-003	E-3-29	HZV4-36182-651	FOP-3-1-5
H805-91301-000	E-2-42	HCO-95005-50950-30	FOP-9-23	HPNA-91333-003	E-2-46	HZV4-36182-651	FOP-3-1-19
H881-90116-000	F-4-19	HCO-95701-10040-08	E-13-15	HPNA-91333-003	E-19-11	HZV4-36182-651	FOP-8-1-15
H881-90116-000	FOP-1-11	HCO-96100-60070-00	F-5-27	HPNB-37500-003	E-19-5	HZV4-36187-652	F-15-44
H921-15611-000	E-2-9	HCO-96100-62080-00	F-5-1-26	HPPA-90009-E01	E-18-10-42	HZV4-36187-652	FOP-3-1-6
H921-17936-000	F-2-8	HCO-96211-06000	F-5-28	HPW5-91204-005	E-3-27	HZV4-36187-652	FOP-3-1-10
H921-50343-300	F-10-9	HCO-96211-07000	F-5-29	HPWA-11107-300	E-3-2	HZV4-36187-652	FOP-8-2
H921-90302-000	F-8-24	HCO-96211-07000	F-5-1-27	HPWA-13111-000	E-7-3	HZV4-90302-000	F-3-10-17
H921-90302-000	F-15-55	HCO-96211-11000	F-5-1-28	HPWA-13204-003	E-7-4	HZV4-90302-000	F-3-11-20
H921-90302-000	FOP-3-23	HCO-96220-40080	E-9-22	HPWA-13211-003	E-7-6	HZV4-90304-000	F-15-56
H921-90302-000	FOP-3-1-16	HCO-96220-50080	E-5-9	HPWA-13212-003	E-7-7	HZV4-90502-000	F-15-59
H921-90302-000	FOP-8-1-63	HCO-96300-06014-09	E-5-10	HPWA-13213-003	E-7-7	HZV4-90502-000	FOP-4-31
H921-90504-010	F-15-60	HCO-96300-06025-09	E-5-11	HPWA-13214-003	E-7-7	HZV4-90502-000	FOP-4-2-36
H921-90511-000	F-10-20	HCO-96300-08060-09	E-6-21	HPWA-13215-003	E-7-7	HZV4-90506-000	F-11-27
H921-90512-010	F-15-61	HCO-98200-41000	F-7-11	HPWA-13216-003	E-7-7	HZV4-90506-000	FOP-8-10-4
H921-90514-000	F-4-1-25	HCO-98200-41500	F-7-12	HPWA-13217-003	E-7-7	HZV4-90507-000	E-6-16
H921-90514-000	FOP-1-13	HCO-98200-43000	F-7-13	HPWA-13322-003	E-7-8	HZV4-90507-000	F-3-21
H921-90514-000	FOP-8-21	HCO-99003-30000	F-13-15	HPWA-13323-003	E-7-7	HZV4-90507-000	F-3-10-19
H921-90518-000	F-2-30	HCO-99003-50000	F-13-16	HPWA-13324-003	E-7-7	HZV4-90507-000	F-3-11-22
H921-90518-000	F-15-62	HCO-99008-01600	F-13-17	HPWA-13325-003	E-7-7	HZV4-90511-000	F-4-1-24
HP52-32901-770	F-7-20-8	HGE1-17357-670	FOP-9-3	HPWA-13326-003	E-7-7	HZV4-90514-000	F-11-28
HP52-32901-770	F-15-38	HGET-90429-000	F-2-24	HPWA-13327-003	E-7-7	HZV4-90514-000	FOP-8-22
HP52-32901-770	FOP-3-12	HHA0-32121-003	F-7-10-1	HPWA-13328-003	E-7-7	HZV4-90603-000	E-18-10-46
HCO-92101-04020-4J	F-7-40-7	HHP5-91304-601	FOP-8-1-73	HPWA-13342-003	E-7-11	HZV4-90603-000	F-3-30-24
HCO-92101-05016-4J	F-15-71	HHW1-90101-671	F-3-11	HPWA-13343-003	E-7-7	HZV4-90605-000	F-3-30-26
HCO-93401-06020-08	F-3-30-31	HHW1-90114-671	F-3-16	HPWA-13344-003	E-7-7	HZV5-06411-020	F-10-1
HCO-93500-04014-4J	FOP-9-18	HHW1-90118-671	FOP-8-16	HPWA-13345-003	E-7-7	HZV5-12155-000	E-3-6
HCO-93500-05010-4J	F-15-72	HHW1-90205-670	E-18-23	HPWA-13346-003	E-7-7	HZV5-14520-020	E-13-8
HCO-93500-05014-4J	FOP-8-1-75	HHW1-90206-671	F-3-10-16	HPWA-13347-003	E-7-7	HZV5-14522-000	E-13-9
HCO-93500-05020-4J	E-2-47	HHW1-90215-671	F-10-16	HPWA-13348-003	E-7-7	HZV5-17202-310	F-3-30-3
HCO-93500-05020-4J	FOP-9-19	HHW1-90225-670	F-3-11-19	HPWA-14222-004	E-9-5	HZV5-17838-000	F-2-1
HCO-93500-05065-4J	FOP-4-34	HKM3-32161-003	FOP-9-4	HPWA-14647-000	E-9-10	HZV5-19210-003	F-4-1
HCO-93500-05065-4J	FOP-4-2-39	HKPC-16472-D50	E-14-2	HPWA-90006-003	E-9-20	HZV5-19210-003	F-4-1-1
HCO-93500-06018-4J	E-3-31	HKPH-91301-701	E-14-22	HPWC-14711-000	E-9-12	HZV5-19210-003	FOP-1-2
HCO-93901-250J0	F-15-73	HKSU-32501-J00	F-7-3	HPX4-91302-004	E-2-43	HZV5-19252-000	E-6-8
HCO-93901-251J0	F-15-74	HKT8-15232-000	E-5-4	HPY3-14647-000	E-9-11	HZV5-24102-000	F-5-2
HCO-93901-252J0	F-15-75	HMB0-91359-000	F-3-10-30	HPY3-17439-A01	E-18-19	HZV5-24103-000	F-5-3
HCO-93903-254G0	E-15-10-11	HMB0-91359-000	F-4-32	HPZ1-12210-004	E-9-1	HZV5-24811-010	F-15-3
HCO-93903-262J0	F-15-76	HMB0-91359-000	F-4-1-35	HPZ1-12211-004	E-9-2	HZV5-24812-000	F-15-4
HCO-93905-255J0	F-15-77	HMB0-91359-000	FOP-1-17	HRB0-14721-000	E-9-13	HZV5-24813-000	F-15-5
HCO-94001-04490-05	F-7-40-8	HMB1-90655-921	E-18-26	HRGA-14765-000	E-9-17	HZV5-24814-010	F-15-6
HCO-94001-05490-05	F-2-41	HMB6-61102-631	F-8-6	HRGM-14781-A01	E-9-19	HZV5-24815-010	F-15-7
HCO-94001-05490-05	FOP-4-35	HMB6-61102-631	F-8-10-9	HRMA-16723-E00	E-18-7	HZV5-24816-000	F-15-8
HCO-94001-05490-05	FOP-4-2-40	HMB6-91302-830	E-6-19	HRNA-37830-A01	E-14-13	HZV5-24817-000	F-15-9
HCO-94001-05490-05	FOP-9-20	HMCB-15562-000	E-18-1	HRWC-90017-A01	E-19-8	HZV5-24818-003	F-15-10
HCO-94001-06490-05	F-15-78	HMCCT-16961-010	E-18-18	HS04-38235-003	F-13-4	HZV5-24820-010	F-15-11
HCO-94001-12490-05	F-10-27	HME5-91304-003	E-3-28	HS04-90190-000	E-13-11	HZV5-24830-010	F-15-12
HCO-94002-04490-05	FOP-9-21	HME9-16960-000	E-18-10-37	H50A-91540-003	E-19-12	HZV5-24836-000	F-15-13
HCO-94002-05490-05	F-15-79	HMEL-90007-003	E-2-31	H50A-91541-003	E-3-30	HZV5-24841-000	F-15-14
HCO-94002-12490-05	FOP-8-27	HMG9-35701-950	F-8-10-2	H50A-91541-003	F-7-10	HZV5-24845-000	F-15-15
HCO-94101-10800	E-13-14	HMG9-35701-950	F-11-20-3	H50A-91541-003	F-7-10-19	HZV5-24850-000	F-15-16
HCO-94103-05400	FOP-3-25	HMG9-35701-950	F-15-41	H50A-91541-003	F-11-20-61	HZV5-24854-000	F-15-17
HCO-94103-05400	FOP-3-1-18	HMG9-91058-681	F-15-66	H5A0-90683-003	E-2-40	HZV5-24855-000	F-15-18
HCO-94109-20000	E-2-48	HMJ0-91301-003	E-14-23	HSB0-90602-003	F-8-25	HZV5-24860-000	F-15-19
HCO-94111-04500	F-7-40-9	HMJ0-91301-003	E-18-10-47	HSB6-91475-000	F-15-68	HZV5-24865-000	F-15-20

HZV5-24875-000.	F-15-21	HZV5-90520-000.	F-4	HZW1-24873-V01	F-15-1-23	HZW4-56150-H11	F-11-20-23
HZV5-24876-000.	F-15-22	HZV5-90521-000.	F-4	HZW1-24883-V01	F-15-1-24	HZW4-56182-H11	F-11-20-28
HZV5-24878-000.	F-15-23	HZV5-90528-000.	F-5-19	HZW1-35180-003	F-15-1-28	HZW4-56191-H11	F-11-20-30
HZV5-24881-000.	F-15-24	HZV5-90529-000.	F-5	HZW1-35182-003	F-15-1-29	HZW4-56192-H11	F-11-20-31
HZV5-24883-000.	F-15-25	HZV5-90530-000.	F-5	HZW1-35370-V01	F-15-1-30	HZW4-56517-H11	F-11-20-34
HZV5-24884-000.	F-15-26	HZV5-90531-000.	F-5	HZW1-40107-700	F-8-10-5	HZW4-58130-H02ZA	FOP-6-1
HZV5-24885-000.	F-15-27	HZV5-90552-000.	F-3-22	HZW1-41102-B00	F-3-11-4	HZW4-58130-H32ZA	FOP-6
HZV5-24887-000.	F-15-28	HZV5-90552-000.	F-10-21	HZW1-41109-B00	F-3-10-8	HZW4-58130-H43ZA	FOP-6
HZV5-24891-000.	F-15-29	HZV5-90552-000.	FOP-8-24	HZW1-41109-B00	F-3-11-10	HZW4-58130-H53ZA	FOP-6
HZV5-24892-000.	F-15-30	HZV5-90557-000.	F-15-63	HZW1-41116-B00	F-4-1-17	HZW4-90082-H01	E-2-37
HZV5-24894-000.	F-15-31	HZV5-90559-000.	F-10-22	HZW1-41131-B01	F-4-1-18	HZW4-90101-H00	FOP-8-13
HZV5-24895-000.	F-15-32	HZV5-90559-000.	FOP-8-25	HZW1-41201-B02ZD	F-5-1-12	HZW4-90104-H01	FOP-8-1-58
HZV5-24897-000.	F-15-33	HZV5-90563-000.	F-3-10-20	HZW1-50214-000	F-11-6	HZW4-90108-000	F-15-53
HZV5-24898-000.	F-15-34	HZV5-90563-000.	F-3-11-23	HZW1-58130-W03ZA	FOP-6	HZW4-90111-H11	F-11-20-39
HZV5-30598-000.	F-7-20-5	HZV5-90751-000.	F-15-64	HZW1-58130-W13ZA	FOP-6	HZW4-90126-000	E-14-20
HZV5-32823-003.	F-15-36	HZV5-90752-003.	F-4-24	HZW1-58130-W24ZA	FOP-6	HZW4-90126-000	E-21-21
HZV5-32823-003.	FOP-2-4-3	HZV5-90752-003.	F-4-1-27	HZW1-58130-W33ZA	FOP-6	HZW4-90146-000	E-15-3
HZV5-32823-003.	FOP-3-10	HZV5-90752-003.	FOP-1-14	HZW1-58130-W63ZA	FOP-6	HZW4-90158-000	E-2-38
HZV5-32823-003.	FOP-3-1-5	HZV5-90756-000.	E-6-18	HZW1-87538-740	F-12-11	HZW4-90168-000	F-8-10-20
HZV5-32823-003.	FOP-8-1-9	HZV5-90756-000.	F-3-25	HZW1-87705-003	F-15-1-31	HZW4-90303-H00	FOP-8-18
HZV5-32824-003.	F-15-37	HZV5-90756-000.	F-3-10-21	HZW1-87706-003	F-15-1-32	HZW4-90306-003	F-3-30-22
HZV5-32824-003.	FOP-2-4-4	HZV5-90756-000.	F-3-11-25	HZW1-87707-003	F-15-1	HZW4-90306-003	F-10-18
HZV5-32824-003.	FOP-3-11	HZV5-90756-000.	F-4-25	HZW1-90013-000	E-13-10	HZW4-90401-000	F-15-57
HZV5-32824-003.	FOP-3-1-6	HZV5-90756-000.	F-4-1-28	HZW1-90013-000	E-18-10-43	HZW4-90401-000	FOP-9-16
HZV5-35370-823.	F-15-40	HZV5-90758-000.	F-3-10-22	HZW1-90013-000	F-8-17	HZW4-90402-000	F-15-58
HZV5-36104-821.	FOP-9-6	HZV5-90758-000.	F-5-20	HZW1-90014-000	E-14-15	HZW4-90501-000	F-3-30-23
HZV5-36129-822.	F-11-20-9	HZV5-90772-000.	F-15-65	HZW1-90104-900	F-3-11-13	HZW4-90502-H02	FOP-8-1-66
HZV5-36136-821.	F-11-20-10	HZV5-91053-003.	F-5-22	HZW1-90136-003	F-15-1-33	HZW4-90504-H01	FOP-8-1-69
HZV5-36180-033.	F-15-42	HZV5-91054-003.	F-4-27	HZW1-90137-003	F-15-1-34	HZW4-90651-000	F-11-31
HZV5-36180-033.	FOP-3-14	HZV5-91151-000.	F-15-67	HZW1-90138-003	F-15-1-35	HZW4-90921-H11	F-11-20-44
HZV5-36180-033.	FOP-3-1-8	HZV5-91203-821.	F-11-20-45	HZW1-90139-003	F-15-1-36	HZW4-91051-H02	FOP-8-1-71
HZV5-38410-003.	F-15-47	HZV5-91256-003.	F-11-34	HZW1-90140-003	F-15-1-37	HZW4-91052-H01	FOP-8-1-72
HZV5-38410-003.	FOP-3-20	HZV5-91302-821.	F-11-20-47	HZW1-90142-003	F-15-1-38	HZW4-91252-003	F-3-10-24
HZV5-38410-003.	FOP-3-1-13	HZV5-91304-821.	F-11-20-48	HZW1-90143-003	F-15-1-39	HZW4-91252-003	F-5-24
HZV5-40102-000.	E-18-10-40	HZV5-91311-822.	F-11-20-49	HZW1-90145-003	F-15-1-40	HZW4-91301-003	F-3-10-26
HZV5-40102-000.	F-7-30-2	HZV5-91318-822.	F-11-20-50	HZW1-90203-000	F-7-8	HZW4-91301-003	F-3-10-27
HZV5-40102-000.	F-8-4	HZV5-91352-000.	F-10-25	HZW1-90203-000	F-7-10-15	HZW4-91301-003	F-3-11-29
HZV5-40102-000.	F-8-10-3	HZV5-91553-010.	E-18-10-48	HZW1-90242-000	F-4-1-21	HZW4-91301-003	F-3-11-30
HZV5-40204-000.	F-3-5	HZV5-91553-010.	E-20-10-10	HZW1-90301-B00	F-5-1-14	HZW4-91351-H11	F-11-20-51
HZV5-41116-000.	F-4-15	HZV5-91553-010.	F-7-20-25	HZW1-90303-B03	F-4-1-22	HZW4-91352-H11	F-11-20-52
HZV5-41172-000.	F-13-5	HZV5-91553-010.	F-7-30-4	HZW1-90314-003	F-15-1-41	HZW4-91355-H11	F-11-20-55
HZV5-41172-000.	FOP-9-7	HZV5-91553-010.	F-8-28	HZW1-90506-B00	F-5-1-15	HZW4-91356-H11	F-11-20-57
HZV5-50335-000.	F-10-6	HZV5-91556-000.	F-10-26	HZW1-90508-B00	F-5-1-16	HZW4-91357-H11	F-11-20-58
HZV5-50342-300.	F-10-8	HZV5-91560-000.	F-11-36	HZW1-90518-B00	F-4-1-26	HZW4-91359-H11	F-11-20-60
HZV5-50515-000.	F-11-10	HZV5-91567-000.	F-15-69	HZW1-90519-B00	F-4-1	HZW4-91552-H00	FOP-8-26
HZV5-50522-000.	F-11-11	HZV5-91570-000.	F-15-70	HZW1-90520-B00	F-4-1	HZW5-06241-U00	FOP-4-2
HZV5-50527-000.	F-11-12	HZW7-90951-010.	F-11-33	HZW1-90521-B00	F-4-1	HZW5-06241-U10	FOP-4-2-2
HZV5-56118-820.	F-10-11	HZW1-12217-010	E-2-3	HZW1-90528-B00	F-5-1-17	HZW5-06900-U00	FOP-7-1
HZV5-56512-000.	F-11-20-33	HZW1-17736-000	F-15-1	HZW1-90529-B00	F-5-1	HZW5-16081-U10	E-18-10-29
HZV5-56513-000.	F-10-12	HZW1-19242-B00	F-4-1-8	HZW1-90530-B00	F-5-1	HZW5-16733-000	E-14-4
HZV5-56532-000.	F-11-20-35	HZW1-19242-B00	FOP-1-9	HZW1-90531-B00	F-5-1	HZW5-24810-U01	FOP-4-3
HZV5-58151-000.	F-5-13	HZW1-19286-B00	F-3-11-2	HZW1-90551-003	F-15-1-42	HZW5-24810-U01	FOP-4-2-3
HZV5-90001-791.	F-11-20-38	HZW1-24102-B00	F-5-1-2	HZW1-90552-003	F-15-1-43	HZW5-24810-U11	FOP-4-2-4
HZV5-90010-000.	F-4-1-19	HZW1-24103-B00	F-5-1-3	HZW1-90559-000	F-3-26	HZW5-24811-U01	FOP-4-4
HZV5-90010-000.	FOP-1	HZW1-24210-010	F-2-9	HZW1-90653-003	F-15-1-44	HZW5-24811-U01	FOP-4-2-5
HZV5-90012-013.	E-3-16	HZW1-24320-B00	F-4-11	HZW1-90753-003	F-15-1-45	HZW5-24812-U01	FOP-4-5
HZV5-90108-000.	F-10-14	HZW1-24320-B00	F-4-1-13	HZW1-90758-000	F-3-11-26	HZW5-24812-U01	FOP-4-2-6
HZV5-90115-000.	F-3-11-14	HZW1-24327-000	F-4-12	HZW1-90758-B00	F-5-1-18	HZW5-24813-U01	FOP-4-6
HZV5-90115-821.	F-11-20-40	HZW1-24327-000	F-4-1-14	HZW1-90953-003	F-15-1-46	HZW5-24813-U01	FOP-4-2-7
HZV5-90119-000.	F-3-17	HZW1-24343-B02	F-4-1-15	HZW1-91051-B02	F-5-1-20	HZW5-24813-U21	FOP-4-2-8
HZV5-90119-000.	F-11-20-41	HZW1-24629-000	F-2-17	HZW1-91052-B02	F-4-1-29	HZW5-24814-U01	FOP-4-7
HZV5-90119-000.	FOP-9-14	HZW1-24800-V21	F-15-1-1	HZW1-91054-B31	F-4-1-30	HZW5-24814-U01	FOP-4-2-9
HZV5-90125-000.	F-15-54	HZW1-24811-V21	F-15-1-2	HZW1-91101-003	F-5-23	HZW5-24815-U01	FOP-4-8
HZV5-90126-000.	F-3-10-14	HZW1-24812-V21	F-15-1-3	HZW1-91101-003	F-5-1-22	HZW5-24816-U01	FOP-4-9
HZV5-90127-003.	F-8-22	HZW1-24813-V21	F-15-1-4	HZW1-91351-B02	F-3-11-32	HZW5-24816-U01	FOP-4-2-10
HZV5-90127-003.	FOP-9-15	HZW1-24816-V21	F-15-1-5	HZW1-91351-B02	F-5-1-24	HZW5-24816-U01	FOP-4-4-8
HZV5-90131-000.	E-6-15	HZW1-24819-V21	F-15-1-6	HZW1-91553-003	F-15-1-47	HZW5-24817-U01	FOP-4-10
HZV5-90134-821.	F-11-20-42	HZW1-24820-V21	F-15-1-7	HZW1-91554-000	E-14-24	HZW5-24817-U01	FOP-4-2-11
HZV5-90301-000.	F-5-15	HZW1-24821-003	F-15-1-8	HZW2-90003-000	F-20-10-9	HZW5-24818-U01	FOP-4-11
HZV5-90302-000.	F-11-22	HZW1-24822-V21	F-15-1-9	HZW2-90003-000	F-7-20-18	HZW5-24818-U01	FOP-4-2-12
HZV5-90302-003.	F-7-20-24	HZW1-24825-V01	F-15-1-10	HZW2-90301-F00	F-7-20-23	HZW5-24819-U01	FOP-4-12
HZV5-90303-000.	F-4-21	HZW1-24829-003	F-15-1-11	HZW2-91251-F01	F-3-30-28	HZW5-24819-U01	FOP-4-2-13
HZV5-90304-013.	F-10-17	HZW1-24830-V21	F-15-1-12	HZW4-30280-H11	F-11-20-1	HZW5-24825-U01	FOP-4-14
HZV5-90307-003.	F-11-24	HZW1-24834-003	F-15-1-13	HZW4-32543-H01	FOP-8-1-7	HZW5-24825-U01	FOP-4-2-15
HZV5-90308-003.	F-3-19	HZW1-24836-V21	F-15-1-14	HZW4-32544-H01	FOP-8-1-8	HZW5-24826-U01	FOP-4-15
HZV5-90501-000.	F-11-25	HZW1-24839-V01	F-15-1-15	HZW4-36123-H12	F-11-20-7	HZW5-24826-U01	FOP-4-2-16
HZV5-90502-000.	F-10-19	HZW1-24841-V01	F-15-1-16	HZW4-36125-H11	F-11-20-8	HZW5-24826-U01	FOP-4-4-10
HZV5-90503-000.	F-5-16	HZW1-24843-V01	F-15-1-17	HZW4-53113-H01	FOP-8-1-30	HZW5-24826-U01	FOP-4-16
HZV5-90504-000.	F-11-26	HZW1-24845-V01	F-15-1-18	HZW4-53115-H02	FOP-8-1-33	HZW5-24831-U01	FOP-4-2-17
HZV5-90506-020.	F-5-17	HZW1-24847-V01	F-15-1-19	HZW4-53116-H01	FOP-8-1-35	HZW5-24831-U01	FOP-4-4-12
HZV5-90508-000.	F-5-18	HZW1-24848-V01	F-15-1-20	HZW4-53116-H11	FOP-8-7	HZW5-24832-U01	FOP-4-17
HZV5-90518-000.	F-4-23	HZW1-24865-V01	F-15-1-21	HZW4-56114-H11	F-11-20-17	HZW5-24832-U01	FOP-4-2-18
HZV5-90519-000.	F-4	HZW1-24870-V21	F-15-1-22	HZW4-56115-H11	F-11-20-18	HZW5-24832-U01	FOP-4-4-13

HZW5-24834-U01 FOP-4-18
 HZW5-24834-U21 FOP-4-2-19
 HZW5-32167-650 F-15-1-27
 HZW5-35370-U02 FOP-4-20
 HZW5-35370-U02 FOP-4-2-22
 HZW5-35370-U12 FOP-4-2-23
 HZW5-90018-000 E-2-34
 HZW5-90021-U00 FOP-7-2
 HZW5-90023-000 F-2-22
 HZW5-90101-U00 FOP-4-22
 HZW5-90101-U00 FOP-4-2-25
 HZW5-90101-U00 FOP-4-4-20
 HZW5-90102-U00 FOP-4-23
 HZW5-90102-U00 FOP-4-2-26
 HZW5-90103-U01 FOP-4-24
 HZW5-90103-U01 FOP-4-2-27
 HZW5-90104-U00 FOP-4-25
 HZW5-90104-U00 FOP-4-2-28
 HZW5-90105-U01 FOP-4-26
 HZW5-90105-U01 FOP-4-2-29
 HZW5-90106-U00 FOP-4-27
 HZW5-90106-U00 FOP-4-2-30
 HZW5-90107-U00 FOP-4-28
 HZW5-90107-U00 FOP-4-2-31
 HZW5-90108-U00 FOP-4-2-32
 HZW5-90109-000 FOP-3-22
 HZW5-90109-000 FOP-3-1-15
 HZW5-90301-U00 FOP-4-29
 HZW5-90301-U00 FOP-4-2-33
 HZW5-90302-U21 FOP-4-2-34
 HZW5-90501-000 F-2-25
 HZW5-90501-U00 FOP-4-30
 HZW5-90501-U00 FOP-4-2-35
 HZW5-90501-U00 FOP-4-4-26
 HZW5-90502-U00 FOP-4-32
 HZW5-90502-U00 FOP-4-2-37
 HZW5-90503-U00 FOP-4-33
 HZW5-90503-U00 FOP-4-2-38
 HZW5-90511-U00 FOP-7-3
 HZW5-90512-U00 FOP-7-4
 HZW5-90606-030 E-2-39
 HZW5-90652-003 E-18-25
 HZW5-91054-003 F-5-1-21
 HZW5-91251-003 F-2-36
 HZW6-87124-U80 FOP-8-10
 HZW6-90751-000 F-10-24
 HZW6-90752-000 F-11-32
 HZW7-24810-U01 FOP-4-4-2
 HZW7-24811-U01 FOP-4-4-3
 HZW7-24812-U01 FOP-4-4-4
 HZW7-24813-U01 FOP-4-4-5
 HZW7-24814-U01 FOP-4-4-6
 HZW7-24815-U01 FOP-4-4-7
 HZW7-24817-U01 FOP-4-4-9
 HZW7-24832-U01 FOP-4-4-14
 HZW7-24833-U01 FOP-4-4-15
 HZW7-32530-U00 FOP-4-19
 HZW7-32530-U00 FOP-4-2-20
 HZW7-32530-U10 FOP-4-2-21
 HZW7-32530-U20 FOP-4-4-16
 HZW7-35370-U02 FOP-4-4-17
 HZW7-87703-U00 FOP-4-4-19
 HZW7-90101-U01 FOP-4-4-21
 HZW7-90102-U01 FOP-4-4-22
 HZW7-90103-U01 FOP-4-4-23
 HZW7-90104-U01 FOP-4-4-24
 HZW7-90301-U01 FOP-4-4-25
 HZW7-90502-U00 FOP-4-4-27
 HZW9-19279-000 F-3-30-12
 HZW9-19291-000 F-3-30-13
 HZW9-19297-000 F-3-30-14
 HZW9-19300-003 E-2-19
 HZW9-19315-000 E-2-20
 HZW9-19317-000 E-2-21
 HZW9-28462-003 F-13-2
 HZW9-50212-003 FOP-8-4
 HZW9-50219-010 FOP-8-6
 HZW9-53130-000 FOP-8-1-49
 HZW9-53133-000 FOP-8-1-53
 HZW9-63718-000 F-8-11
 HZW9-87133-500 F-12-7
 HZW9-87511-000 FOP-8-28
 HZW9-87532-640 FOP-8-29
 HZW9-87702-800 F-15-50
 HZW9-90003-000 E-2-28
 HZW9-90008-000 F-15-51
 HZW9-90009-000 F-10-13
 HZW9-90011-000 E-3-15
 HZW9-90011-000 E-18-22
 HZW9-90011-000 F-7-20-19
 HZW9-90013-000 E-3-17
 HZW9-90013-000 F-7-7
 HZW9-90013-000 F-7-20-20
 HZW9-90014-000 F-7-20-21
 HZW9-90014-000 F-8-10-15
 HZW9-90016-000 E-19-6
 HZW9-900101-003 F-3-10-10
 HZW9-90101-003 F-3-11-11
 HZW9-90102-000 F-4-1-20
 HZW9-90102-000 FOP-8-14
 HZW9-90102-000 FOP-9-13
 HZW9-90103-010 F-3-13
 HZW9-90105-000 E-20-2
 HZW9-90105-000 F-3-14
 HZW9-90105-000 F-3-30-21
 HZW9-90105-000 F-4-18
 HZW9-90154-000 F-11-20
 HZW9-90162-000 FOP-8-17
 HZW9-90305-000 FOP-8-19
 HZW9-90517-000 F-2-29
 HZW9-90517-000 FOP-8-23
 HZW9-91303-000 E-2-44
 HZY1-53549-871 F-11-20-12
 HZY1-56161-871 F-11-20-24
 HZY1-90205-000 F-3-10-15
 HZY1-90205-000 F-3-11-18
 HZY1-90650-003 FOP-2-4-5
 HZY3-14515-000 E-13-7
 HZY3-15113-000 F-3-30-2
 HZY3-16011-A01 E-18-10-1
 HZY3-16024-000 E-18-10-5
 HZY3-16026-000 E-18-10-6
 HZY3-16082-000 E-18-10-21
 HZY3-16083-000 E-18-10-22
 HZY3-16752-000 E-18-10-34
 HZY3-16752-A00 E-14-5
 HZY3-19270-000 F-3-30-8
 HZY3-19271-000 F-3-30-9
 HZY3-19272-000 F-3-30-10
 HZY3-23173-010 F-3-30-15
 HZY3-24318-000 F-4-10
 HZY3-24318-000 F-4-1-12
 HZY3-24618-000 F-2-13
 HZY3-24619-000 F-2-15
 HZY3-31106-003 F-11-20-2
 HZY3-35673-003 E-2-26
 HZY3-35673-003 E-3-13
 HZY3-38216-003 F-7-20-12
 HZY3-40119-003 F-8-10-6
 HZY3-40219-013 F-3-7
 HZY3-40219-013 F-11-20-11
 HZY3-50209-A00 FOP-9-8
 HZY3-63205-000 F-2-19
 HZY3-90015-000 F-3-10-9
 HZY3-90016-000 E-3-19
 HZY3-90016-000 E-19-7
 HZY3-90017-000 E-2-33
 HZY3-90017-000 E-3-20
 HZY3-90017-000 E-19-9
 HZY3-90017-000 F-2-21
 HZY3-90021-000 E-3-21
 HZY3-90021-000 E-18-10-44
 HZY3-90021-000 F-7-20-22
 HZY3-90029-000 E-14-16
 HZY3-90030-000 E-2-35
 HZY3-90030-000 E-3-22
 HZY3-90031-000 E-14-17
 HZY3-90035-000 E-3-23
 HZY3-90036-000 E-14-18
 HZY3-90056-000 E-14-19
 HZY3-90056-000 F-2-23
 HZY3-90063-000 E-2-36
 HZY3-90103-000 F-3-10-11
 HZY3-90103-000 FOP-8-15
 HZY3-90107-000 F-7-10-14
 HZY3-90111-000 F-8-20
 HZY3-90111-000 F-8-10-18
 HZY3-90117-000 F-11-19
 HZY3-90120-000 F-3-10-13
 HZY3-90120-000 F-3-11-15
 HZY3-90132-000 F-8-10-19
 HZY3-90133-000 F-3-11-17
 HZY3-90205-000 E-14-21
 HZY3-90405-000 F-7-10-17
 HZY3-90508-000 F-2-26
 HZY3-90751-000 F-2-33
 HZY3-91254-003 F-3-10-25
 HZY3-91254-003 F-3-11-28
 HZY3-91254-003 F-4-29
 HZY3-91254-003 F-4-1-32
 HZY3-91255-003 F-2-37
 HZY3-91556-000 F-3-11-33
 HZY6-16016-003 E-15-1
 HZY6-16723-003 E-18-10-29
 HZY6-17845-000 F-2-3
 HZY6-17931-000 F-2-7
 HZY6-19289-000 F-8-1
 HZY6-36135-003 E-18-20
 HZY6-36551-003 E-14-12
 HZY6-56118-000 FOP-9-12
 HZY6-90023-000 E-19-10
 HZY6-90043-000 F-3-30-19
 HZY6-90105-000 F-5-14
 HZY6-90116-000 F-4-20
 HZY6-90116-000 FOP-1-12
 HZY6-90123-000 F-3-11-16
 HZY6-90123-000 F-5-1-13
 HZY6-90301-000 F-8-23
 HZY6-90651-000 F-3-30-27
 HZY6-91552-000 F-4-33
 HZY6-91552-000 F-4-1-36
 HZY6-91552-000 FOP-1-18
 HZY6-91553-000 F-8-29
 HZY6-91553-000 F-8-10-22
 HZY9-14430-000 E-9-6
 HZY9-14441-000 E-9-7
 HZY9-14442-000 E-9-8
 HZY9-14751-003 E-9-15
 HZY9-14752-003 E-9-16
 HZY9-16081-003 E-18-10-20
 HZY9-16196-000 E-18-3
 HZY9-16721-003 E-18-10-28
 HZY9-16896-003 E-14-6
 HZY9-16896-003 E-18-16
 HZY9-16896-003 F-7-20-2
 HZY9-17877-000 F-2-5
 HZY9-17878-000 F-2-6
 HZY9-24221-000 F-2-10
 HZY9-24612-000 F-2-11
 HZY9-24614-000 F-2-12
 HZY9-24618-000 F-2-14
 HZY9-24628-000 F-2-16
 HZY9-30419-003 E-20-10-1
 HZY9-30419-003 F-7-20-4
 HZY9-35645-000 F-8-3
 HZY9-35695-003 E-2-27
 HZY9-36104-003 F-11-20-4
 HZY9-37210-A02 FOP-8-1-16
 HZY9-38400-A00 FOP-8-1-17
 HZY9-38402-A00 FOP-8-1-18
 HZY9-38553-003 F-7-20-15
 HZY9-53232-A00 FOP-8-8
 HZY9-63232-010 F-8-7
 HZY9-63232-010 F-8-10-12
 HZY9-63237-000 F-8-8
 HZY9-63237-000 F-8-10-13
 HZY9-82873-000 F-8-15
 HZY9-82874-000 F-8-16
 HZY9-87117-000 F-12-2
 HZY9-90102-000 F-3-12
 HZY9-90103-000 F-8-18
 HZY9-90104-000 F-8-10-16
 HZY9-90113-003 F-8-21
 HZY9-90201-000 E-3-24
 HZY9-90508-000 F-2-27
 HZY9-90509-000 F-2-28
 HZY9-90651-000 F-2-31
 HZY9-90751-000 F-8-26
 HZY9-90754-000 F-8-10-21
 HZY9-90755-000 F-8-27
 HZY9-90951-A01 FOP-8-1-70
 HZY9-91553-000 F-8-10-23
 HZY9-91554-000 F-8-30
 HZY9-91554-000 F-8-10-25
 HZZ0-19241-000 F-4-1-7
 HZZ0-24124-000 F-5-1-7
 HZZ0-24310-000 F-4-1-11
 HZZ0-41101-000ZD F-3-11-3
 HZZ0-41102-000 F-3-11-5
 HZZ0-41103-000 F-3-11-6
 HZZ0-41104-010 F-3-11-7
 HZZ0-41105-010 F-3-11-8
 HZZ0-41107-000ZD F-3-11-9
 HZZ0-58130-D81ZB FOP-6-6
 HZZ0-90101-000 F-3-11-12
 HZZ0-06115-000 EOP-1-1
 HZZ3-06125-000 F-3-10-1
 HZZ3-06125-E00 F-3-11-1
 HZZ3-06193-010 FOP-1-1
 HZZ3-06194-000 FOP-1-1
 HZZ3-06240-R30 FOP-4-1
 HZZ3-06240-R40 FOP-4-4-1
 HZZ3-06240-R60 FOP-4-2-1
 HZZ3-06323-R20 FOP-3-1
 HZZ3-06323-R30 FOP-3-1-1
 HZZ3-06328-762 FOP-2-4-1
 HZZ3-06357-000 FOP-9-1
 HZZ3-06411-000 FOP-9-2
 HZZ3-06531-000 FOP-8-10-1
 HZZ3-06533-R00ZA FOP-8-1
 HZZ3-11106-300 E-3-1
 HZZ3-11320-000ZA E-6-1
 HZZ3-11381-000 E-6-2
 HZZ3-11911-000 E-3-3
 HZZ3-12000-405ZA E-3-4
 HZZ3-12109-000 E-3-5
 HZZ3-12166-000 F-3-30-1
 HZZ3-12210-000ZA E-2-2
 HZZ3-12241-000 E-2-4
 HZZ3-12251-003 E-2-5
 HZZ3-12310-000 E-2-6
 HZZ3-12312-000 E-2-7
 HZZ3-12357-000 E-15-10-1
 HZZ3-12359-000 E-15-10-2
 HZZ3-13010-010 E-7-1
 HZZ3-13101-010 E-7-2
 HZZ3-13210-000 E-7-5
 HZZ3-13311-000 E-7-7
 HZZ3-13331-003 E-7-10
 HZZ3-13621-000 E-13-1
 HZZ3-13622-000 E-13-2
 HZZ3-13623-000 E-13-3
 HZZ3-14110-000 E-9-3
 HZZ3-14221-003 E-9-4
 HZZ3-14261-000 E-13-4
 HZZ3-14400-004 E-13-5
 HZZ3-14510-003 E-13-6
 HZZ3-14631-000 E-9-9
 HZZ3-15100-000 E-5-1
 HZZ3-15121-000 E-5-2
 HZZ3-15220-003 E-6-3
 HZZ3-15223-000 E-6-4
 HZZ3-15236-000 E-5-5
 HZZ3-15422-000 E-2-8
 HZZ3-15655-000 E-6-5
 HZZ3-16019-003 E-18-10-3
 HZZ3-16020-003 E-18-10-4
 HZZ3-16192-000 E-18-2
 HZZ3-16195-000 E-18-10-23
 HZZ3-16196-000 E-18-10-24
 HZZ3-16197-000 E-18-4
 HZZ3-16198-000 E-18-5
 HZZ3-16199-000 E-18-6
 HZZ3-16400-003 E-15-2
 HZZ3-16450-003 E-14-1
 HZZ3-16700-003 E-2-10
 HZZ3-16708-003 E-18-10-25
 HZZ3-16717-000 E-2-11
 HZZ3-16730-003 E-18-10-30
 HZZ3-16748-000 E-18-8
 HZZ3-16755-003 E-18-9
 HZZ3-16816-000 E-18-10

HZZ3-16850-A01E-18-11
 HZZ3-16865-A00E-18-12
 HZZ3-16866-A00E-18-13
 HZZ3-16871-A00E-18-14
 HZZ3-16895-003E-18-15
 HZZ3-16914-000E-14-7
 HZZ3-16915-000E-2-16
 HZZ3-17105-000E-14-8
 HZZ3-17110-003E-14-10
 HZZ3-17201-000E-15-10-4
 HZZ3-17202-000E-15-10-5
 HZZ3-17840-000F-2-2
 HZZ3-17860-000F-2-4
 HZZ3-17910-A41FOP-8-1-1
 HZZ3-17931-A41FOP-8-1-2
 HZZ3-18211-000F-3-30-4
 HZZ3-18330-000E-6-6
 HZZ3-18333-000E-6-7
 HZZ3-18334-000F-3-1
 HZZ3-18337-000F-3-2
 HZZ3-19221-000F-4-2
 HZZ3-19221-000F-4-1-2
 HZZ3-19221-000FOP-1-3
 HZZ3-19223-000F-4-3
 HZZ3-19223-000F-4-1-3
 HZZ3-19223-000FOP-1-4
 HZZ3-19228-000F-4-4
 HZZ3-19228-000F-4-1-4
 HZZ3-19228-000FOP-1-5
 HZZ3-19231-000F-4-5
 HZZ3-19231-000F-4-1-5
 HZZ3-19231-000FOP-1-6
 HZZ3-19234-000F-4-6
 HZZ3-19234-000FOP-1-7
 HZZ3-19234-E00F-4-1-6
 HZZ3-19234-E00FOP-1-8
 HZZ3-19251-000F-4-7
 HZZ3-19251-E00F-4-1-9
 HZZ3-19253-000F-4-8
 HZZ3-19253-000F-4-1-10
 HZZ3-19253-000FOP-1-10
 HZZ3-19255-000F-3-30-5
 HZZ3-19256-000F-3-30-6
 HZZ3-19257-000F-3-30-7
 HZZ3-19277-000F-3-30-11
 HZZ3-19286-000F-3-10-2
 HZZ3-19361-000E-2-22
 HZZ3-19371-000E-2-23
 HZZ3-23170-405ZAE-6-9
 HZZ3-23172-003E-6-10
 HZZ3-24101-000F-5-1
 HZZ3-24101-E00F-5-1-1
 HZZ3-24113-000F-5-4
 HZZ3-24113-E00F-5-1-4
 HZZ3-24122-000F-5-5
 HZZ3-24122-E00F-5-1-5
 HZZ3-24123-000F-5-6
 HZZ3-24123-E00F-5-1-6
 HZZ3-24124-000F-5-7
 HZZ3-24310-000F-4-9
 HZZ3-24343-000F-4-13
 HZZ3-24590-A41FOP-8-1-3
 HZZ3-24614-A41FOP-8-1-4
 HZZ3-24615-A41FOP-8-1-5
 HZZ3-24630-000F-2-18
 HZZ3-24800-R00F-15-2
 HZZ3-24820-R11FOP-4-13
 HZZ3-24820-R21FOP-4-2-14
 HZZ3-24830-R41FOP-4-4-11
 HZZ3-30416-000F-7-20-3
 HZZ3-30511-003E-20-10-2
 HZZ3-30512-003E-20-10-3
 HZZ3-30513-003E-20-10-4
 HZZ3-30515-000E-20-10-5
 HZZ3-30516-000E-20-10-6
 HZZ3-30517-010E-20-10-7
 HZZ3-31145-000F-7-30-1
 HZZ3-31200-003E-21-1
 HZZ3-31212-003E-21-2
 HZZ3-31213-003E-21-3
 HZZ3-31214-003E-21-4
 HZZ3-31215-003E-21-5
 HZZ3-31216-003E-21-6
 HZZ3-31217-003E-21-7
 HZZ3-31246-003E-21-15
 HZZ3-31247-003E-21-16
 HZZ3-31249-003E-21-17
 HZZ3-31250-003E-21-18
 HZZ3-31258-000E-21-19
 HZZ3-31261-003E-21-20
 HZZ3-31630-003E-19-1
 HZZ3-31630-A01E-19-2
 HZZ3-31631-003E-19-2
 HZZ3-31632-003E-19-3
 HZZ3-31632-A01E-19-3
 HZZ3-31636-000E-19-4
 HZZ3-31750-003E-3-8
 HZZ3-31752-000E-3-9
 HZZ3-31754-000E-3-10
 HZZ3-31756-000E-3-11
 HZZ3-31908-003E-2-24
 HZZ3-32100-020F-7-1
 HZZ3-32101-000F-7-20-6
 HZZ3-32102-000F-7-20-7
 HZZ3-32127-000F-7-2
 HZZ3-32186-000FOP-2-4-2
 HZZ3-32341-R31FOP-3-5
 HZZ3-32346-R21FOP-3-6
 HZZ3-32346-R31FOP-3-7
 HZZ3-32347-R01FOP-3-1-3
 HZZ3-32410-000F-7-10-3
 HZZ3-32411-000F-7-10-4
 HZZ3-32538-A41FOP-8-1-6
 HZZ3-32581-000F-8-10-1
 HZZ3-32766-003E-20-10-8
 HZZ3-34750-033E-20-1
 HZZ3-35100-R01FOP-8-1-10
 HZZ3-35100-R11F-15-39
 HZZ3-35100-R11FOP-3-13
 HZZ3-35100-R11FOP-3-1-7
 HZZ3-35180-A42FOP-8-1-11
 HZZ3-35340-741F-7-40-1
 HZZ3-35340-A42FOP-8-1-12
 HZZ3-35341-740F-7-40-2
 HZZ3-35342-740F-7-40-3
 HZZ3-35343-740F-7-40-4
 HZZ3-35344-740F-7-40-5
 HZZ3-35345-741F-7-40-6
 HZZ3-35470-023F-7-20-9
 HZZ3-35475-000F-7-20-10
 HZZ3-35490-003E-3-12
 HZZ3-35640-003F-8-2
 HZZ3-35640-A41FOP-8-1-13
 HZZ3-35645-000F-7-20-11
 HZZ3-35645-A41FOP-8-1-14
 HZZ3-35655-003E-2-25
 HZZ3-35660-003F-10-2
 HZZ3-35745-741FOP-9-5
 HZZ3-36120-003F-11-20-5
 HZZ3-36122-003F-11-20-6
 HZZ3-37205-R01FOP-3-17
 HZZ3-38216-003F-7-4
 HZZ3-38550-003F-7-20-13
 HZZ3-38552-000F-7-20-14
 HZZ3-38553-000F-7-20-16
 HZZ3-38580-003F-7-5
 HZZ3-38582-000F-7-20-17
 HZZ3-40105-000F-8-10-4
 HZZ3-40105-A00FOP-8-3
 HZZ3-40151-000ZCF-8-10-7
 HZZ3-40154-000ZCF-8-10-8
 HZZ3-40155-000F-8-5
 HZZ3-40201-000ZDF-3-3
 HZZ3-41100-010ZDF-3-20-1
 HZZ3-41100-E02ZDF-3-20-3
 HZZ3-41101-000ZDF-3-10-3
 HZZ3-41102-000F-3-10-4
 HZZ3-41104-010F-3-10-5
 HZZ3-41105-010F-3-10-6
 HZZ3-41112-000F-4-14
 HZZ3-41112-E00F-4-1-16
 HZZ3-41117-000F-4-16
 HZZ3-41131-000F-4-17
 HZZ3-41140-000F-5-8
 HZZ3-41140-E00F-5-1-8
 HZZ3-41151-000F-5-9
 HZZ3-41151-E00F-5-1-9
 HZZ3-41160-000F-5-10
 HZZ3-41160-E00F-5-1-10
 HZZ3-41161-000F-5-11
 HZZ3-41161-E00F-5-1-11
 HZZ3-41201-000ZDF-5-12
 HZZ3-50101-000F-11-1
 HZZ3-50111-000F-3-8
 HZZ3-50151-000F-3-30-16
 HZZ3-50155-000F-3-9
 HZZ3-50161-000ZEEF-11-2
 HZZ3-50166-000F-3-30-17
 HZZ3-50201-000ZCF-11-3
 HZZ3-50218-000FOP-8-5
 HZZ3-50222-000FOP-9-9
 HZZ3-50223-000FOP-9-10
 HZZ3-50224-000FOP-9-11
 HZZ3-50301-010ZCF-10-3
 HZZ3-50311-000ZCF-10-4
 HZZ3-50380-000F-10-10
 HZZ3-50417-000F-11-9
 HZZ3-50529-000F-11-13
 HZZ3-53101-A41ZDFOP-8-1-19
 HZZ3-53102-A41FOP-8-1-20
 HZZ3-53103-A41FOP-8-1-21
 HZZ3-53104-A41FOP-8-1-22
 HZZ3-53105-A41FOP-8-1-23
 HZZ3-53106-A41FOP-8-1-24
 HZZ3-53108-A41FOP-8-1-25
 HZZ3-53109-A41FOP-8-1-26
 HZZ3-53110-A41FOP-8-1-27
 HZZ3-53111-A41FOP-8-1-28
 HZZ3-53112-A41FOP-8-1-29
 HZZ3-53113-A41FOP-8-1-31
 HZZ3-53114-A41FOP-8-1-32
 HZZ3-53115-A41FOP-8-1-34
 HZZ3-53117-A41FOP-8-1-36
 HZZ3-53118-A41FOP-8-1-37
 HZZ3-53119-A41FOP-8-1-38
 HZZ3-53120-A41FOP-8-1-39
 HZZ3-53121-A41FOP-8-1-40
 HZZ3-53122-A41FOP-8-1-41
 HZZ3-53123-A41FOP-8-1-42
 HZZ3-53124-A41FOP-8-1-43
 HZZ3-53125-A41FOP-8-1-44
 HZZ3-53126-A41FOP-8-1-45
 HZZ3-53127-A41FOP-8-1-46
 HZZ3-53128-A41FOP-8-1-47
 HZZ3-53129-A41FOP-8-1-48
 HZZ3-53130-A41FOP-8-1-50
 HZZ3-53131-A41FOP-8-1-51
 HZZ3-53132-A41FOP-8-1-52
 HZZ3-53141-A41FOP-8-1-54
 HZZ3-53142-A41FOP-8-1-55
 HZZ3-53165-000FOP-8-1-56
 HZZ3-53234-000F-11-14
 HZZ3-53238-000F-11-15
 HZZ3-53238-000FOP-8-10-2
 HZZ3-53238-610F-11-16
 HZZ3-56000-033F-11-20-13
 HZZ3-56110-013F-11-20-14
 HZZ3-56113-003F-11-20-15
 HZZ3-56123-003F-11-20-19
 HZZ3-56135-013F-11-20-21
 HZZ3-56140-003F-11-20-22
 HZZ3-56163-003F-11-20-25
 HZZ3-56170-003F-11-20-26
 HZZ3-56180-003F-11-20-27
 HZZ3-56190-003F-11-20-29
 HZZ3-56511-003F-11-20-32
 HZZ3-56581-003F-11-20-36
 HZZ3-56860-003F-11-20-37
 HZZ3-58130-W71ZAFOP-6
 HZZ3-58130-W81ZAFOP-6
 HZZ3-58130-W91ZAFOP-6
 HZZ3-63100-010ZCF-8-10-10
 HZZ3-63102-000F-8-10-11
 HZZ3-63710-000ZCF-8-9
 HZZ3-63715-000ZCF-8-10
 HZZ3-63718-000F-3-30-18
 HZZ3-63719-000F-3-10
 HZZ3-63724-000F-8-12
 HZZ3-63731-000ZCF-8-13
 HZZ3-63736-000ZCF-8-14
 HZZ3-87121-R00F-12-13
 HZZ3-87125-R00FOP-8-11
 HZZ3-87132-R00F-12-14
 HZZ3-87133-R00F-12-15
 HZZ3-87301-R00F-12-16
 HZZ3-87531-000F-12-10
 HZZ3-87546-000F-12-12
 HZZ3-87701-R00F-15-48
 HZZ3-87701-R40FOP-4-4-18
 HZZ3-87703-R01FOP-4-2-24
 HZZ3-87703-R81FOP-4-2-21
 HZZ3-89216-000F-13-9
 HZZ3-90001-003E-3-14
 HZZ3-90002-000E-6-11
 HZZ3-90003-000E-2-29
 HZZ3-90004-000E-2-30
 HZZ3-90005-000E-6-12
 HZZ3-90006-000E-6-13
 HZZ3-90008-000E-6-14
 HZZ3-90011-000E-2-32
 HZZ3-90101-000F-3-30-20
 HZZ3-90103-000F-3-10-12
 HZZ3-90103-A41FOP-8-1-57
 HZZ3-90106-000F-8-19
 HZZ3-90106-000F-8-10-17
 HZZ3-90111-A41FOP-8-1-59
 HZZ3-90112-A41FOP-8-1-60
 HZZ3-90113-A41FOP-8-1-61
 HZZ3-90114-A41FOP-8-1-62
 HZZ3-90129-000F-10-15
 HZZ3-90202-000E-13-12
 HZZ3-90302-003F-11-20-63
 HZZ3-90305-A41FOP-8-1-64
 HZZ3-90501-A41FOP-8-1-65
 HZZ3-90502-A41FOP-8-1-67
 HZZ3-90503-A41FOP-8-1-68
 HZZ3-90651-003F-3-24
 HZZ3-90752-000F-2-34
 HZZ3-90753-000F-2-35
 HZZ3-91052-003F-4-26
 HZZ3-91251-003F-3-10-23
 HZZ3-91251-003F-4-28
 HZZ3-91252-003F-3-11-27
 HZZ3-91252-003F-5-1-23
 HZZ3-91253-003F-4-1-31
 HZZ3-91253-003FOP-1-15
 HZZ3-91254-003F-11-20-46
 HZZ3-91351-000F-3-10-28
 HZZ3-91351-000F-4-30
 HZZ3-91352-000F-3-10-29
 HZZ3-91352-000F-5-25
 HZZ3-91353-003F-11-20-53
 HZZ3-91354-003F-11-20-54
 HZZ3-91355-003F-11-20-56
 HZZ3-91356-000F-4-31
 HZZ3-91356-000F-4-1-34
 HZZ3-91356-000FOP-1-16
 HZZ3-91357-003F-11-20-59
 HZZ3-91405-000F-3-30-30
 HZZ3-91451-000F-5-26
 HZZ3-91552-000F-2-40
 HZZ3-91553-000F-8-10-24
 HZZ3-91554-000FOP-8-10-5
 HZZ3-91555-000F-11-35
 HZZ3-91555-000FOP-3-2
 HZZ3-91555-700FOP-3-3
 HZZ3-91555-800FOP-3-3
 HZZ3-91555-800FOP-3-3
 HZZ3-16013-003E-18-10-2
 HZZ3-16041-003E-18-10-7
 HZZ3-16042-003E-18-10-8
 HZZ3-16061-003E-18-10-9
 HZZ3-16063-003E-18-10-10
 HZZ3-16064-003E-18-10-11
 HZZ3-16066-003E-18-10-12
 HZZ3-16072-003E-18-10-13

HZZ5-16073-003. E-18-10-14
HZZ5-16074-003. E-18-10-15
HZZ5-16075-003. E-18-10-16
HZZ5-16076-003. E-18-10-17
HZZ5-16077-003. E-18-10-18
HZZ5-16620-010. E-14-3
HZZ5-16709-003. E-18-10-26
HZZ5-16718-003. E-18-10-27
HZZ5-16735-003. E-18-10-31
HZZ5-16740-003. E-18-10-32
HZZ5-16900-003. E-2-12
HZZ5-16901-003. E-2-13
HZZ5-16906-003. E-2-14
HZZ5-16911-003. E-18-10-35
HZZ5-16912-003. E-2-15
HZZ5-16913-003. E-18-10-36
HZZ5-16918-003. E-2-17
HZZ5-16919-003. E-2-18
HZZ5-17107-003. E-14-9
HZZ5-17315-000. E-15-10-6
HZZ5-17374-000. E-15-10-7
HZZ5-32166-003. E-18-10-38
HZZ5-32167-003. E-18-10-39
HZZ5-32185-600. FOP-3-4
HZZ5-32185-700. FOP-3-
HZZ5-32185-800. FOP-3-
HZZ5-32530-000. F-15-35
HZZ5-32545-000. FOP-3-8
HZZ5-32545-000. FOP-3-1-4
HZZ5-32580-600. FOP-3-9
HZZ5-32580-700. FOP-3-
HZZ5-32580-800. FOP-3-
HZZ5-36550-003. E-14-11
HZZ5-37210-013. F-15-45
HZZ5-37210-712. FOP-3-1-11
HZZ5-37210-762. FOP-3-18
HZZ5-38414-003. FOP-3-21
HZZ5-38414-003. FOP-3-1-14
HZZ5-38586-003. F-7-6
HZZ5-41107-000ZD. F-3-10-7
HZZ5-50211-000. F-11-4
HZZ5-50340-000. F-10-7
HZZ5-53233-000ZD. FOP-8-9
HZZ5-90001-000. E-15-10-10
HZZ5-91051-003. F-5-21

TOHATSU CORPORATION

**Address : 5-4,3-chome,Azusawa,Itabashi-ku,
TOKYO,174-0051 JAPAN**

Phone : TOKYO (03)3966-3117

FAX : TOKYO (03)3966-0090

Website : www.tohatsu.co.jp

**2014
PARTS CATALOG**

**BFT 60A
BFW 60A**